

### Related Styles

Line Slot: Washed Out Short      State: Production      Season: S25  
 Merchandise Division: Sportswear      Merchandise Collection: Outdoor      Product Class: Woven Short  
 Designer: owen.kessel      Developer: bellali      LO Developer: kgokul      Sourcing Manager: melissa.gallagher  
 Fit Engineer: bellali



Design:	S3MS49195	Sample LO:	Production LO:	India			
Style	Material Style	Style Description	Pattern	Base Size	Size Scale	Fit	SMU Type
AS4471	1491956	Washed Out™ Short	M24S8059	44	42 - 54	Regular	N/A

Style	Material Style	Style Description	Design	Pattern	Base Size	Size Scale	Sample LO	Production LO
AM4471	1491953	Washed Out™ Short	S3MS49195	M24M8059	32	28 - 44		India
AE4471	1491957	Washed Out™ Short	S3MS49195	M17Z1545	32	28 - 38		India

This is confidential and proprietary information of Columbia Sportswear Company. You agree that you will not disclose this information to any third party or use it for any purpose other than on behalf of Columbia. You have no right to use Columbia's name or any of its trademarks, trade names, copyrights, patents, designs or other intellectual property except as set forth in writing by Columbia.

## Part Specifications with Approved Suppliers

Line Slot: Washed Out Short	State: Production	Season: S25			
Merchandise Division: Sportswear	Merchandise Collection: Outdoor	Product Class: Woven Short			
Designer: owen.kessel	Developer: bellali	LO Developer: kgokul	Sourcing Manager: melissa.gallagher		
Fit Engineer: bellali					
Design:	S3MS49195	Sample LO:	Production LO: India	Vendor Master INDIA	Vendor Master INDIA
Style	Material Style	Style Description	Pattern	Base Size	Size Scale
AS4471	1491956	Washed Out™ Short	M24S8059	44	42 - 54
				Regular	N/A



Number	Description	UM	Fiber Content	Fiber Content Back	Material Coating	Material Finish (Face)	Material Laminate	Trim Specific	Supplier Art No	Country of Origin	Standard Cost (FOB)	Purchase Cost (CIF)	Product on Lead Time with Greige	Product on Lead Time without Greige	
<b>Fabric</b>															
013283	Poplin 4.26oz/sy	yd	100% Cotton	unassigned	MaterialCoatingNone	Sanded/Peached (technical face)	MaterialLaminateNone								
Sri Krishna Spinning and Weaving Mills Pvt Ltd		Fabric Width: 56.0 in Width Type: cuttable Primary Weight: 145.0 g/m2								013283	India	1.91	0.0	37	60
SHAHI EXPORTS PVT. LTD. WPD-SHIVAMOGGA		Fabric Width: 56.0 in Width Type: cuttable Primary Weight: 146.0 g/m2								013283	India	1.78	0.0	37	55
100267	Pocketing (T/C)	yd	65% Polyester, 35% Cotton	unassigned	unassigned	Mercerized	unassigned								
Manju Exports		Fabric Width: 56.0 in Width Type: cuttable Primary Weight: 106.0 g/m2								100267	India	2.2	0.0	60	60
FGV - Jensmart International Ltd. (JNS)		Fabric Width: 43.0 in Width Type: cuttable Primary Weight: 100.0 g/m2								100267	China	0.85	0.0	30	45
SHAHI EXPORTS PVT. LTD. WPD-SHIVAMOGGA		Fabric Width: 56.0 in Width Type: cuttable Primary Weight: 105.0 g/m2								Supplier name - EN Exports HK Limited. Fabric for internal consumption only	India	1.33	0.95	30	45
FGV - Shahi Exports Pvt. (SEP) Ltd.		Fabric Width: 56.0 in Width Type: cuttable Primary Weight: 105.0 g/m2								Supplier name - EN Exports HK Limited. Fabric for internal consumption only	India	0.79	0.0	30	45
011952	Interlining Non-Woven Fusible Light Weight for Garment Wash	yd	100% Polyester	unassigned	unassigned	unassigned	unassigned								
Freudenberg-Hong Kong		Fabric Width: 35.0 in Width Type: cuttable Primary Weight: 37.0 g/m2								AP48	Taiwan	0.38	0.0	7	14
MaxBond		Fabric Width: 48.0 in Width Type: cuttable Primary Weight: 37.0 g/m2								UD9927	Vietnam	0.33	0.0	10	20
PCC asia LLC		Fabric Width: 60.0 in Width Type: cuttable Primary Weight: 0.0 g/m2								CL700	China	0.37	0.0	14	21
<b>Trim</b>															
098784	28L Debossed Columbia Dark Horn/Light Horn (No DTM) Low profile Plastic Button	ea	100% Polyester	unassigned	unassigned	unassigned	unassigned	Size UM: ligne							
Unitex International Button Accessories Ltd									199-00914-070107	China	0.0311	0.0	35	50	

### Part Specifications with Approved Suppliers

Line Slot: Washed Out Short			State: Production			Season: S25		
Merchandise Division: Sportswear		Merchandise Collection: Outdoor		Product Class: Woven Short				
Designer: owen.kessel		Developer: bellali		LO Developer: kgokul		Sourcing Manager: melissa.gallagher		
Fit Engineer: bellali								
Design:	S3MS49195	Sample LO:		Production LO: India		Vendor Master: INDIA	Vendor Master: INDIA	
Style	Material Style	Style Description		Pattern	Base Size	Size Scale	Fit SMU Type	
AS4471	1491956	Washed Out™ Short		M24S8059	44	42 - 54	Regular N/A	



Number	Description	UM	Fiber Content	Fiber Content Back	Material Coating	Material Finish (Face)	Material Laminate	Trim Specific	Supplier Art No	Country of Origin	Standard Cost (FOB)	Purchase Cost (CIF)	Product on Lead Time with Greige	Product on Lead Time without Greige
BANGALORE SALES CORPORATION									098784	India	0.0167	0.0	15	25
Gritti Vietnam Co. Ltd.									P.57439	Vietnam	0.0287	0.0	30	30
077256	35mm Gem Columbia Flat Woven Label with starch	ea	100% Recycled Polyester	unassigned	unassigned	unassigned	unassigned	Size UM: mm						
Nexgen Packaging Global									077256	China	0.025	0.0	21	28
Avery Dennison Global									077256	unassigned	0.02532	0.0	30	30
Manohar Filaments									23/11813/16	India	0.0194	0.0	30	30
061708	Coats Astra Tex 40 spun poly for sewing lightweight woven and knits	meter	100% Polyester	unassigned	unassigned	unassigned	unassigned	Size UM: tex						
Coats Global Thread									Tex 40/2 Astra Sewing Thread	unassigned	0.00043	0.0	0	0
DD - Huamei Thread Company Limited (FNC only)									061708	unassigned	0.0	0.0	0	0
013264	Coats ASTRA Spun Poly Tex 60 for sewing lightweight woven and knits	meter	100% Polyester	unassigned	unassigned	unassigned	unassigned	Size UM: tex						
Coats Global Thread									013264	unassigned	0.00052	0.0	0	0
008214	Coats ASTRA Spun Polyester Tex 27 40/2	meter	100% Polyester	unassigned	unassigned	unassigned	unassigned	Size UM: tex						
Coats Global Thread									8754120	unassigned	0.0003	0.0	0	0
126123	CFC-36 DA E B-E Clsd AutoLk Enml Slidr/PI EnmlBtmStp	ea	unassigned	unassigned	unassigned	unassigned	unassigned	Size UM: ea Length: 4.0						
Ideal Fastener Global									CFC-36 DA E B-E Clsd AutoLk Enml Slidr/PI EnmlBtmStp	unassigned	0.065	0.0	21	28
YKK Global									TBD	unassigned	0.0468	0.0	35	50
059199	40mm CSC Main /International ECO Size Woven Loop Label 3 clr	ea	100% Recycled Polyester	unassigned	unassigned	unassigned	unassigned	Size UM: mm						
Avery Dennison Global									059199	China	0.045	0.0	30	30
Dong Young									DY-59199	South Korea	0.052	0.0	25	25
Manohar Filaments									23/11813/5	India	0.0404	0.0	30	30

## Part Specifications with Approved Suppliers

Line Slot: Washed Out Short      State: Production      Season: S25  
 Merchandise Division: Sportswear      Merchandise Collection: Outdoor      Product Class: Woven Short  
 Designer: owen.kessel      Developer: bellali      LO Developer: kgokul      Sourcing Manager: melissa.gallagher  
 Fit Engineer: bellali



Design: S3MS49195      Sample LO:      Production LO: India      Vendor Master: INDIA      Vendor Master: INDIA  
 Style:      Material Style:      Style Description:      Pattern:      Base Size:      Size Scale:      Fit:      SMU Type:      Sourcing LO:  
 AS4471      1491956      Washed Out™ Short      M24S8059      44      42 - 54      Regular      N/A

Number	Description	UM	Fiber Content	Fiber Content Back	Material Coating	Material Finish (Face)	Material Laminate	Trim Specific	Supplier Art No	Country of Origin	Standard Cost (FOB)	Purchase Cost (CIF)	Product on Lead Time with Greige	Product on Lead Time without Greige
006564	33mm Care Content ECO Booklet Fold label with fully translated country of origin WHT/BLK for most, BLK/WHT for Titanium only, GRY/BLK is for Garment DYE ONLY	ea	100% Recycled Polyester	unassigned	unassigned	unassigned	unassigned	Size UM: mm						
Dong Young									DY-006564	South Korea	0.04	0.0	15	15
Finotex El Salvador									006564	El Salvador	0.0	0.0	10	0
Avery Dennison Global									S2088861-8	China	0.016	0.0	30	30
Bao Shen (Apparel)									YL15110003 0 PS7530A5	unassigned	0.016	0.0	7	21
Nexgen Packaging Global									006564	unassigned	0.0221	0.0	21	28
097305	Columbia No Tech Hangtag	ea	unassigned	unassigned	unassigned	unassigned	unassigned	Size UM: cm						
Hang Sang Press Co. Ltd									n/a	unassigned	0.0167	0.0	0	0
Bao Shen (Apparel)									097305	Vietnam	0.014	0.0	7	21
Finotex El Salvador									n/a	unassigned	0.0233	0.0	21	28
121612	MSRP/UPC with RFID Specs for MSRP. Please refer to VAS specs for any exceptions. MSRP required on all product shipping to the US.	ea	unassigned	unassigned	unassigned	unassigned	unassigned	Size UM: mm						
Bao Shen (Apparel)									n/a	unassigned	0.049	0.0	7	0
Avery Dennison Global									n/a	unassigned	0.04875	0.0	14	0
127015	Mens Shorts Regular Joker	ea	unassigned	unassigned	unassigned	unassigned	unassigned	Size UM: in						
Hang Sang Press Co. Ltd									n/a	unassigned	0.036	0.0	0	0
980001	Polybag See Standard CCS 4200 for specifications	ea	unassigned	unassigned	unassigned	unassigned	unassigned	Size UM: mm						
Contractor									980001	unassigned	0.0	0.0	0	0
980010	UPC Bag Sticker Generic (MHW/Columbia) See CCS4400/ 4401 and MHW4402 for Mt Hardware for instructions	ea	unassigned	unassigned	unassigned	unassigned	unassigned	Size UM: mm						
Hang Sang Press Co. Ltd									980010	Hong Kong	0.016	0.0	14	14
Avery Dennison Global									980010	China	0.011	0.0	30	30
FGV Sourced									980010	unassigned	0.0	0.0	0	0



### Color BOM

Line Slot: Washed Out Short  
 Merchandise Division: Sportswear  
 Designer: owen.kessel  
 Fit Engineer: bellali

Merchandise Collection: Outdoor  
 Developer: bellali

State: Production  
 Product Class: Woven Short  
 LO Developer: kgokul

Season: S25  
 Sourcing Manager: melissa.gallagher



Design:	S3MS49195	Sample LO:	Production LO:	India			
Style	Material Style	Style Description	Pattern	Base Size	Size Scale	Fit	SMU Type
AS4471	1491956	Washed Out™ Short	M24S8059	44	42 - 54	Regular	N/A

Component	Details	Placement	Usage	Width	Marker Width	022-Grey Ash	161-Fossil	245-CROUTON	347-Safari	364-River Blue
<b>SAP Material Code</b>						149195302 2	149195316 1	149195324 5	149195334 7	149195336 4
						149195702 2	149195716 1	149195724 5	149195734 7	149195736 4
						149195602 2	149195616 1	149195624 5	149195634 7	149195636 4
<b>SMU Accounts</b>						N/A	N/A	N/A	N/A	N/A
Shell 1	013283 Poplin 4.26oz/sy Poplin 100% Cotton 134 X 97 40x40 Sanded/Peached (technical face) MaterialCoatingNone MaterialLaminateNone 146.0 g/m2 Piece Dye/Pad NA		0.95 yd	56.0	55.984	Grey Ash	Fossil	Crouton	Safari	River Blue
Lining 1	100267 Pocketing (T/C) Poplin 65% Polyester, 35% Cotton 110 X 76 45 pc X 45 pc Mercerized 105.0 g/m2 Scouring-Bleaching NA		0.47 yd	56.0	55.984	White	White	White	White	White
Interfacing 1	011952 Interlining Non-Woven Fusible Light Weight for Garment Wash Interlining 100% Polyester 0.0 g/m2		0.168 yd	60.0	60	White	White	White	White	White
Button 1	098784 28L Debossed Columbia Dark Horn/Light Horn (No DTM) Low profile Plastic Button		1 ea	0.0	0	Dark Horn	Light Horn	Dark Horn	Light Horn	Dark Horn
Label Logo 1	077256 35mm Gem Columbia Flat Woven Label with starch		1 ea	0.0	0	Grill, Columbia Grey	Columbia Grey, Grill	Grill, Columbia Grey	Grill, Columbia Grey	Grill, Columbia Grey
Thread 1	061708 Coats Astra Tex 40 spun poly for sewing lightweight woven and knits	Interior Waistband	3 meter	0.0	0	DTM	DTM	DTM	DTM	DTM

### Color BOM

Line Slot: Washed Out Short		State: Production		Season: S25			
Merchandise Division: Sportswear		Merchandise Collection: Outdoor		Product Class: Woven Short			
Designer: owen.kessel		Developer: bellali		LO Developer: kgokul			
Fit Engineer: bellali				Sourcing Manager: melissa.gallagher			
Design:	S3MS49195	Sample LO:		Production LO:	India		
Style	Material Style	Style Description	Pattern	Base Size	Size Scale	Fit	SMU Type
AS4471	1491956	Washed Out™ Short	M24S8059	44	42 - 54	Regular	N/A



Component	Details	Placement	Usage	Width	Marker Width	022-Grey Ash	161-Fossil	245-Crouton	347-Safari	364-River Blue
<b>SAP Material Code</b>						149195302 2	149195316 1	149195324 5	149195334 7	149195336 4
						149195702 2	149195716 1	149195724 5	149195734 7	149195736 4
						149195602 2	149195616 1	149195624 5	149195634 7	149195636 4
Thread 2	013264 Coats ASTRA Spun Poly Tex 60 for sewing lightweight woven and knits		29 meter	0.0	0	DTM	DTM	DTM	DTM	DTM
Thread 3	061708 Coats Astra Tex 40 spun poly for sewing lightweight woven and knits		44 meter	0.0	0	DTM	DTM	DTM	DTM	DTM
Thread 4	008214 Coats ASTRA Spun Polyester Tex 27 40/2		212 meter	0.0	0	DTM	DTM	DTM	DTM	DTM
Zipper 1	126123 CFC-36 DA E B-E Clsd AutoLk Enml Sldr/PI EnmlBtmStp Length: 4.0		1 ea	0.0	0	Grey Ash	Fossil	Crouton	Safari	River Blue
Label 1	059199 40mm CSC Main /International ECO Size Woven Loop Label 3 clr		1 ea	0.0	0	White, Columbia Grey, Compass Blue	White, Columbia Grey, Compass Blue	White, Columbia Grey, Compass Blue	White, Columbia Grey, Compass Blue	White, Columbia Grey, Compass Blue
Label 2	006564 33mm Care Content ECO Booklet Fold label with fully translated country of origin WHT/BLK for most, BLK/WHT for Titanium only, GRY/BLK is for Garment DYE ONLY		1 ea	0.0	0	White, Black	White, Black	White, Black	White, Black	White, Black
Hangtag Package Part	097305 Columbia No Tech Hangtag		1 ea	0.0	0	Artwork	Artwork	Artwork	Artwork	Artwork
Hangtag Package Part	121612 MSRP/UPC with RFID Specs for MSRP. Please refer to VAS specs for any exceptions. MSRP required on all product shipping to the US.		1 ea	0.0	0	Artwork	Artwork	Artwork	Artwork	Artwork
Hangtag Package Part	127015 Mens Shorts Regular Joker		1 ea	0.0	0	Artwork	Artwork	Artwork	Artwork	Artwork
Packaging 1	980001 Polybag See Standard CCS 4200 for specifications		1 ea	0.0	0	Stock	Stock	Stock	Stock	Stock

**Color BOM**

Line Slot: Washed Out Short      State: Production      Season: S25  
 Merchandise Division: Sportswear      Merchandise Collection: Outdoor      Product Class: Woven Short  
 Designer: owen.kessel      Developer: bellali      LO Developer: kgokul      Sourcing Manager: melissa.gallagher  
 Fit Engineer: bellali

Design:      S3MS49195      Sample LO:      Production LO:      India  
 Style      Material Style      Style Description      Pattern      Base Size      Size Scale      Fit      SMU Type  
 AS4471      1491956      Washed Out™ Short      M24S8059      44      42 - 54      Regular      N/A



Component	Details	Placement	Usage	Width	Marker Width	022-Grey Ash	161-Fossil	245-Crouton	347-Safari	364-River Blue
<b>SAP Material Code</b>						149195302 2	149195316 1	149195324 5	149195334 7	149195336 4
						149195702 2	149195716 1	149195724 5	149195734 7	149195736 4
						149195602 2	149195616 1	149195624 5	149195634 7	149195636 4
Packaging 2	980010 UPC Bag Sticker Generic (MHW/Columbia) See CCS4400/ 4401 and MHW4402 for Mt Hardwear for instructions		1 ea	0.0	0	Artwork	Artwork	Artwork	Artwork	Artwork
Packaging 3	064194 Outer Carton for costing purpose only		1 ea	0.0	0	Stock	Stock	Stock	Stock	Stock



**Color BOM**

Line Slot: Washed Out Short  
 Merchandise Division: Sportswear  
 Designer: owen.kessel  
 Fit Engineer: bellali

Merchandise Collection: Outdoor  
 Developer: bellali

State: Production  
 Product Class: Woven Short  
 LO Developer: kgokul

Season: S25  
 Sourcing Manager: melissa.gallagher



Design: S3MS49195      Sample LO:  
 Style Material Style      Style Description      Pattern      Production LO: India  
 AS4471      1491956      Washed Out™ Short      M24S8059      Base Size 44      Size Scale 42 - 54      Fit Regular      SMU Type N/A

Component	Details	Placement	Usage	Width	Marker Width	365-Sage	421-India Ink	432-Ripple Blue	614-Mountain Red	851-Tuscan
<b>SAP Material Code</b>						149195336 5	149195342 1	149195343 2	149195761 4	149195385 1
						149195736 5	149195742 1	149195643 2	149195661 4	149195685 1
						149195636 5	149195642 1	149195743 2	149195361 4	149195785 1
<b>SMU Accounts</b>						N/A	N/A	N/A	N/A	N/A
Shell 1	013283 Poplin 4.26oz/sy Poplin 100% Cotton 134 X 97 40x40 Sanded/Peached (technical face) MaterialCoatingNone MaterialLaminateNone 146.0 g/m2 Piece Dye/Pad NA		0.95 yd	56.0	55.984	Sage	India Ink	Ripple Blue	Mountain Red	Tuscan
Lining 1	100267 Pocketing (T/C) Poplin 65% Polyester, 35% Cotton 110 X 76 45 pc X 45 pc Mercerized 105.0 g/m2 Scouring-Bleaching NA		0.47 yd	56.0	55.984	White	White	White	White	White
Interfacing 1	011952 Interlining Non-Woven Fusible Light Weight for Garment Wash Interlining 100% Polyester 0.0 g/m2		0.168 yd	60.0	60	White	White	White	White	White
Button 1	098784 28L Debossed Columbia Dark Horn/Light Horn (No DTM) Low profile Plastic Button		1 ea	0.0	0	Dark Horn	Dark Horn	Light Horn	Light Horn	Light Horn
Label Logo 1	077256 35mm Gem Columbia Flat Woven Label with starch		1 ea	0.0	0	Black, White	Columbia Grey, Grill	Grill, Columbia Grey	Grill, Columbia Grey	Grill, Columbia Grey
Thread 1	061708 Coats Astra Tex 40 spun poly for sewing lightweight woven and knits	Interior Waistband	3 meter	0.0	0	Shark	DTM	DTM	DTM	DTM

### Color BOM

Line Slot: Washed Out Short		State: Production		Season: S25	
Merchandise Division: Sportswear		Merchandise Collection: Outdoor		Product Class: Woven Short	
Designer: owen.kessel		Developer: bellali		LO Developer: kgokul	
Fit Engineer: bellali				Sourcing Manager: melissa.gallagher	
Design: S3MS49195		Sample LO:		Production LO: India	
Style Material Style		Style Description		Base Size	
AS4471		Washed Out™ Short		44	
		Pattern		Size Scale	
		M24S8059		42 - 54	
				Fit	
				Regular	
				SMU Type	
				N/A	



Component	Details	Placement	Usage	Width	Marker Width	365-Sage	421-India Ink	432-Ripple Blue	614-Mountain Red	851-Tuscan
<b>SAP Material Code</b>						149195336 5	149195342 1	149195343 2	149195761 4	149195385 1
						149195736 5	149195742 1	149195643 2	149195661 4	149195685 1
						149195636 5	149195642 1	149195743 2	149195361 4	149195785 1
Thread 2	013264 Coats ASTRA Spun Poly Tex 60 for sewing lightweight woven and knits		29 meter	0.0	0	Sage	DTM	DTM	DTM	DTM
Thread 3	061708 Coats Astra Tex 40 spun poly for sewing lightweight woven and knits		44 meter	0.0	0	DTM	DTM	DTM	DTM	DTM
Thread 4	008214 Coats ASTRA Spun Polyester Tex 27 40/2		212 meter	0.0	0	DTM	DTM	DTM	DTM	DTM
Zipper 1	126123 CFC-36 DA E B-E Clsd AutoLk Enml Sldr/PI EnmlBtmStp Length: 4.0		1 ea	0.0	0	Sage	India Ink	Ripple Blue	Mountain Red	Tuscan
Label 1	059199 40mm CSC Main /International ECO Size Woven Loop Label 3 clr		1 ea	0.0	0	White, Columbia Grey, Compass Blue	White, Columbia Grey, Compass Blue	White, Columbia Grey, Compass Blue	White, Columbia Grey, Compass Blue	White, Columbia Grey, Compass Blue
Label 2	006564 33mm Care Content ECO Booklet Fold label with fully translated country of origin WHT/BLK for most, BLK/WHT for Titanium only, GRY/BLK is for Garment DYE ONLY		1 ea	0.0	0	White, Black	White, Black	White, Black	White, Black	White, Black
Hangtag Package Part	097305 Columbia No Tech Hangtag		1 ea	0.0	0	Artwork	Artwork	Artwork	Artwork	Artwork
Hangtag Package Part	121612 MSRP/UPC with RFID Specs for MSRP. Please refer to VAS specs for any exceptions. MSRP required on all product shipping to the US.		1 ea	0.0	0	Artwork	Artwork	Artwork	Artwork	Artwork
Hangtag Package Part	127015 Mens Shorts Regular Joker		1 ea	0.0	0	Artwork	Artwork	Artwork	Artwork	Artwork
Packaging 1	980001 Polybag See Standard CCS 4200 for specifications		1 ea	0.0	0	Stock	Stock	Stock	Stock	Stock

**Color BOM**

Line Slot: Washed Out Short      State: Production      Season: S25  
 Merchandise Division: Sportswear      Merchandise Collection: Outdoor      Product Class: Woven Short  
 Designer: owen.kessel      Developer: bellali      LO Developer: kgokul      Sourcing Manager: melissa.gallagher  
 Fit Engineer: bellali

Design:      S3MS49195      Sample LO:      Production LO:      India  
 Style      Material Style      Style Description      Pattern      Base Size      Size Scale      Fit      SMU Type  
 AS4471      1491956      Washed Out™ Short      M24S8059      44      42 - 54      Regular      N/A



Component	Details	Placement	Usage	Width	Marker Width	365-Sage	421-India Ink	432-Ripple Blue	614-Mountain Red	851-Tuscan
<b>SAP Material Code</b>						149195336 5	149195342 1	149195343 2	149195761 4	149195385 1
						149195736 5	149195742 1	149195643 2	149195661 4	149195685 1
						149195636 5	149195642 1	149195743 2	149195361 4	149195785 1
Packaging 2	980010 UPC Bag Sticker Generic (MHW/Columbia) See CCS4400/ 4401 and MHW4402 for Mt Hardwear for instructions		1 ea	0.0	0	Artwork	Artwork	Artwork	Artwork	Artwork
Packaging 3	064194 Outer Carton for costing purpose only		1 ea	0.0	0	Stock	Stock	Stock	Stock	Stock

This is confidential and proprietary information of Columbia Sportswear Company. You agree that you will not disclose this information to any third party or use it for any purpose other than on behalf of Columbia. You have no right to use Columbia's name or any of its trademarks, trade names, copyrights, patents, designs or other intellectual property except as set forth in writing by Columbia.

## Colorless BOM

Line Slot: Washed Out Short      State: Production      Season: S25  
 Merchandise Division: Sportswear      Merchandise Collection: Outdoor      Product Class: Woven Short  
 Designer: owen.kessel      Developer: bellali      LO Developer: kgokul      Sourcing Manager: melissa.gallagher  
 Fit Engineer: bellali  
 Design: S3MS49195      Sample LO:      Production LO: India  
 Style      Material Style      Style Description      Pattern      Base Size      Size Scale      Fit      SMU Type  
 AS4471      1491956      Washed Out™ Short      M24S8059      44      42 - 54      Regular      N/A



Component	Details	Placement	Usage	Width	Marker Width
<b>SAP Material Code</b>					
Shell 1	013283 Poplin 4.26oz/sy Poplin 100% Cotton 134 X 97 40x40 Sanded/Peached (technical face) MaterialCoatingNone MaterialLaminateNone 146.0 g/m2 Piece Dye/Pad NA		0.95 yd	56.0	55.984
Lining 1	100267 Pocketing (T/C) Poplin 65% Polyester, 35% Cotton 110 X 76 45 pc X 45 pc Mercerized 105.0 g/m2 Scouring-Bleaching NA		0.47 yd	56.0	55.984
Interfacing 1	011952 Interlining Non-Woven Fusible Light Weight for Garment Wash Interlining 100% Polyester 0.0 g/m2		0.168 yd	60.0	60
Button 1	098784 28L Debossed Columbia Dark Horn/Light Horn (No DTM) Low profile Plastic Button		1 ea	0.0	0
Label Logo 1	077256 35mm Gem Columbia Flat Woven Label with starch		1 ea	0.0	0
Thread 1	061708 Coats Astra Tex 40 spun poly for sewing lightweight woven and knits	Interior Waistband	3 meter	0.0	0
Thread 2	013264 Coats ASTRA Spun Poly Tex 60 for sewing lightweight woven and knits		29 meter	0.0	0
Thread 3	061708 Coats Astra Tex 40 spun poly for sewing lightweight woven and knits		44 meter	0.0	0
Thread 4	008214 Coats ASTRA Spun Polyester Tex 27 40/2		212 meter	0.0	0
Zipper 1	126123 CFC-36 DA E B-E Clsd AutoLk Enml Sldr/PI EnmlBtmStp Length: 4.0		1 ea	0.0	0
Label 1	059199 40mm CSC Main /International ECO Size Woven Loop Label 3 clr		1 ea	0.0	0
Label 2	006564 33mm Care Content ECO Booklet Fold label with fully translated country of origin WHT/BLK for most, BLK/WHT for Titanium only, GRY/BLK is for Garment DYE ONLY		1 ea	0.0	0
Hangtag Package Part	097305 Columbia No Tech Hangtag		1 ea	0.0	0
Hangtag Package Part	121612 MSRP/UPC with RFID Specs for MSRP. Please refer to VAS specs for any exceptions. MSRP required on all product shipping to the US.		1 ea	0.0	0

### Colorless BOM

Line Slot: Washed Out Short      State: Production      Season: S25  
 Merchandise Division: Sportswear      Merchandise Collection: Outdoor      Product Class: Woven Short  
 Designer: owen.kessel      Developer: bellali      LO Developer: kgokul      Sourcing Manager: melissa.gallagher  
 Fit Engineer: bellali  
 Design: S3MS49195      Sample LO:      Production LO: India  
 Style      Material Style      Style Description      Pattern      Base Size      Size Scale      Fit      SMU Type  
 AS4471      1491956      Washed Out™ Short      M24S8059      44      42 - 54      Regular      N/A



Component	Details	Placement	Usage	Width	Marker Width
<b>SAP Material Code</b>					
Hangtag Package Part	127015 Mens Shorts Regular Joker		1 ea	0.0	0
Packaging 1	980001 Polybag See Standard CCS 4200 for specifications		1 ea	0.0	0
Packaging 2	980010 UPC Bag Sticker Generic (MHW/Columbia) See CCS4400/ 4401 and MHW4402 for Mt Hardwear for instructions		1 ea	0.0	0
Packaging 3	064194 Outer Carton for costing purpose only		1 ea	0.0	0

This is confidential and proprietary information of Columbia Sportswear Company. You agree that you will not disclose this information to any third party or use it for any purpose other than on behalf of Columbia. You have no right to use Columbia's name or any of its trademarks, trade names, copyrights, patents, designs or other intellectual property except as set forth in writing by Columbia.

## Color Specification

Line Slot: Washed Out Short	State: Production	Season: S25					
Merchandise Division: Sportswear	Merchandise Collection: Outdoor	Product Class: Woven Short					
Designer: owen.kessel	Developer: bellali	LO Developer: kgokul					
Fit Engineer: bellali		Sourcing Manager: melissa.gallagher					
Design: S3MS49195	Sample LO:	Production LO: India					
Style AS4471	Material Style 1491956	Style Description Washed Out™ Short	Pattern M24S8059	Base Size 44	Size Scale 42 - 54	Fit Regular	SMU Type N/A



Component - Material	022-Grey Ash	161-Fossil	245-Crouton	347-Safari	364-River Blue	365-Sage	421-India Ink	432-Ripple Blue	614-Mountain Red	851-Tuscan
Shell 1 - 013283	Grey Ash	Fossil	Crouton	Safari	River Blue	Sage	India Ink	Ripple Blue	Mountain Red	Tuscan
Zipper 1 - 126123										
Lining 1 - 100267	White	White	White	White	White	White	White	White	White	White
Interfacing 1 - 011952										
Button 1 - 098784	Dark Horn	Light Horn	Dark Horn	Light Horn	Dark Horn	Dark Horn	Dark Horn	Light Horn	Light Horn	Light Horn
Label Logo 1 - 077256	Grill, Columbia Grey	Columbia Grey, Grill	Grill, Columbia Grey	Grill, Columbia Grey	Grill, Columbia Grey	Black, White	Columbia Grey, Grill	Grill, Columbia Grey	Grill, Columbia Grey	Grill, Columbia Grey
Thread 1 - 061708	DTM	DTM	DTM	DTM	DTM	Shark	DTM	DTM	DTM	DTM
Thread 2 - 013264	DTM	DTM	DTM	DTM	DTM	Sage	DTM	DTM	DTM	DTM
Thread 3 - 061708	DTM	DTM	DTM	DTM	DTM	DTM	DTM	DTM	DTM	DTM
Thread 4 - 008214										
Label 1 - 059199	White, Columbia Grey, Compass Blue	White, Columbia Grey, Compass Blue	White, Columbia Grey, Compass Blue	White, Columbia Grey, Compass Blue	White, Columbia Grey, Compass Blue	White, Columbia Grey, Compass Blue	White, Columbia Grey, Compass Blue	White, Columbia Grey, Compass Blue	White, Columbia Grey, Compass Blue	White, Columbia Grey, Compass Blue
Label 2 - 006564	White, Black	White, Black	White, Black	White, Black	White, Black	White, Black	White, Black	White, Black	White, Black	White, Black
Hangtag Package Part - 097305	Artwork	Artwork	Artwork	Artwork	Artwork	Artwork	Artwork	Artwork	Artwork	Artwork
Hangtag Package Part - 121612										
Hangtag Package Part - 127015										
Packaging 2 - 980010										
Packaging 1 - 980001	Stock	Stock	Stock	Stock	Stock	Stock	Stock	Stock	Stock	Stock
Packaging 3 - 064194										

This is confidential and proprietary information of Columbia Sportswear Company. You agree that you will not disclose this information to any third party or use it for any purpose other than on behalf of Columbia. You have no right to use Columbia's name or any of its trademarks, trade names, copyrights, patents, designs or other intellectual property except as set forth in writing by Columbia.

### Costing BOM

Line Slot: Washed Out Short

State: Production

Season: S25

Merchandise Division: Sportswear

Merchandise Collection: Outdoor

Product Class: Woven Short

Designer: owen.kessel

Developer: bellali

LO Developer: kgokul

Sourcing Manager: melissa.gallagher

Fit Engineer: bellali



Design: S3MS49195

Sample LO:

Production LO: India

Style Material Style

Style Description Pattern

Base Size Size Scale

Fit SMU Type

AS4471

1491956

Washed Out™ Short  
M24S8059

44

42 - 54

Regular

N/A

Colorway Number	Color Way	FOB Material	CIF Material	FOB Trim	CIF Trim	Allowance %	Total FOB	Total CIF
022	Grey Ash	2.316	0.000	0.392	0.000	0.0	2.708	0.000
161	Fossil	2.316	0.000	0.392	0.000	0.0	2.708	0.000
245	Crouton	2.316	0.000	0.392	0.000	0.0	2.708	0.000
347	Safari	2.316	0.000	0.392	0.000	0.0	2.708	0.000
364	River Blue	2.316	0.000	0.392	0.000	0.0	2.708	0.000
365	Sage	2.316	0.000	0.392	0.000	0.0	2.708	0.000
421	India Ink	2.316	0.000	0.392	0.000	0.0	2.708	0.000
432	Ripple Blue	2.316	0.000	0.392	0.000	0.0	2.708	0.000
614	Mountain Red	2.316	0.000	0.392	0.000	0.0	2.708	0.000
851	Tuscan	2.316	0.000	0.392	0.000	0.0	2.708	0.000

### Costing BOM

Line Slot: Washed Out Short  
 Merchandise Division: Sportswear  
 Designer: owen.kessel  
 Fit Engineer: bellali

Merchandise Collection: Outdoor  
 Developer: bellali

State: Production  
 Product Class: Woven Short  
 LO Developer: kkokul

Season: S25  
 Sourcing Manager: melissa.gallagher



Design: S3MS49195	Sample LO:	Production LO: India	
Style AS4471	Material Style 1491956	Style Description Pattern Washed Out™ Short	M24S8059
		Base Size 44	Size Scale 42 - 54
		Fit Regular	SMU Type N/A

Component	Material	Description	Fabric Width	Supplier	Locked	Country of Origin	Managin g Liaison Office	UoM	Target Cost	FOB Unit Cost	CIF Unit Cost	Usage	Wastage %	Total FOB	Total CIF
Shell 1	013283	Poplin 4.26oz/sy	56.0	SHAHI EXPORT S PVT. LTD. WPD-SHIVAM OGGA	Y	India	India	yd	1.9	1.78	0.0	0.950	9	1.843	0.000
Lining 1	100267	Pocketing (T/C)	56.0	FGV - Shahi Exports Pvt. (SEP) Ltd.	N	India	India	yd	0.0	0.79	0.0	0.470	9	0.405	0.000
Interfacing 1	011952	Interlining Non-Woven Fusible Light Weight for Garment Wash	60.0	PCC asia LLC	Y	China	India	yd	0.0	0.37	0.0	0.168	9	0.068	0.000



### Costing BOM

Line Slot: Washed Out Short

State: Production

Season: S25

Merchandise Division: Sportswear

Merchandise Collection: Outdoor

Product Class: Woven Short

Designer: owen.kessel

Developer: bellali

LO Developer: kgokul

Sourcing Manager: melissa.gallagher

Fit Engineer: bellali



Design: S3MS49195

Sample LO:

Production LO: India

Style Material Style

Style Description Pattern

Base Size Size Scale

Fit SMU Type

AS4471

1491956

Washed Out™ Short  
M24S8059

44

42 - 54

Regular

N/A

Component	Material	Description	Fabric Width	Supplier	Locked	Country of Origin	Managin g Liaison Office	UoM	Target Cost	FOB Unit Cost	CIF Unit Cost	Usage	Wastage %	Total FOB	Total CIF
Button 1	098784	28L Debossed Columbia Dark Horn/Light Horn (No DTM) Low profile Plastic Button	0.0	BANGAL ORE SALES CORPORATION	Y	India	India	ea	0.0	0.0167	0.0	1.000	2.0	0.017	0.000
Label Logo 1	077256	35mm Gem Columbia Flat Woven Label with starch	0.0	Manohar Filaments	Y	India	India	ea	0.0	0.0194	0.0	1.000	3.0	0.020	0.000
Thread 1	061708	Coats Astra Tex 40 spun poly for sewing lightweight woven and knits	0.0	Coats Global Thread	N	unassigne d	Portland	meter	0.0	0.00043	0.0	3.000	5.0	0.001	0.000
Thread 2	013264	Coats ASTRA Spun Poly Tex 60 for sewing lightweight woven and knits	0.0	Coats Global Thread	N	unassigne d	Portland	meter	0.0	0.00052	0.0	29.000	5.0	0.016	0.000

### Costing BOM

Line Slot: Washed Out Short

State: Production

Season: S25

Merchandise Division: Sportswear

Merchandise Collection: Outdoor

Product Class: Woven Short

Designer: owen.kessel

Developer: bellali

LO Developer: kkokul

Sourcing Manager: melissa.gallagher

Fit Engineer: bellali



Design: S3MS49195

Sample LO:

Production LO: India

Style Material Style

Style Description Pattern

Base Size Size Scale

Fit SMU Type

AS4471

1491956

Washed Out™ Short  
M24S8059

44

42 - 54

Regular

N/A

Component	Material	Description	Fabric Width	Supplier	Locked	Country of Origin	Managing Liaison Office	UoM	Target Cost	FOB Unit Cost	CIF Unit Cost	Usage	Wastage %	Total FOB	Total CIF
Thread 3	061708	Coats Astra Tex 40 spun poly for sewing lightweight woven and knits	0.0	Coats Global Thread	N	unassigned	Portland	meter	0.0	0.00043	0.0	44.000	5.0	0.020	0.000
Thread 4	008214	Coats ASTRA Spun Polyester Tex 27 40/2	0.0	Coats Global Thread	N	unassigned	Portland	meter	0.0	0.0003	0.0	212.000	5.0	0.067	0.000
Zipper 1	126123	CFC-36 DA E B-E Clsd AutoLk Enml Sldr/PI EnmlBtmStp	0.0	Ideal Fastener Global	N	unassigned	Portland	ea	0.0	0.065	0.0	1.000	1.0	0.080	0.000
Label 1	059199	40mm CSC Main /International ECO Size Woven Loop Label 3 clr	0.0	Manohar Filaments	Y	India	India	ea	0.0	0.0404	0.0	1.000	3.0	0.042	0.000

### Costing BOM

Line Slot: Washed Out Short

State: Production

Season: S25

Merchandise Division: Sportswear

Merchandise Collection: Outdoor

Product Class: Woven Short

Designer: owen.kessel

Developer: bellali

LO Developer: kgokul

Sourcing Manager: melissa.gallagher

Fit Engineer: bellali



Design: S3MS49195

Sample LO:

Production LO: India

Style Material Style

Style Description Pattern

Base Size Size Scale

Fit SMU Type

AS4471

1491956

Washed Out™ Short  
M24S8059

44

42 - 54

Regular

N/A

Component	Material	Description	Fabric Width	Supplier	Locked	Country of Origin	Managing Liaison Office	UoM	Target Cost	FOB Unit Cost	CIF Unit Cost	Usage	Wastage %	Total FOB	Total CIF
Label 2	006564	33mm Care Content ECO Booklet Fold label with fully translated country of origin WHT/BLK for most, BLK/WHT for Titanium only, GRY/BLK is for Garment DYE ONLY	0.0	Avery Dennison Global	N	China	Portland	ea	0.0	0.016	0.0	1.000	3.0	0.016	0.000
Hangtag Package Part	121612	MSRP/UPC with RFID Specs for MSRP. Please refer to VAS specs for any exceptions. MSRP required on all product shipping to the US.	0.0	Avery Dennison Global	N	unassigned	Portland	ea	0.0	0.04875	0.0	1.000	5.0	0.051	0.000

### Costing BOM

Line Slot: Washed Out Short  
 Merchandise Division: Sportswear  
 Designer: owen.kessel  
 Fit Engineer: bellali

Merchandise Collection: Outdoor  
 Developer: bellali

State: Production  
 Product Class: Woven Short  
 LO Developer: kkokul

Season: S25  
 Sourcing Manager: melissa.gallagher



Design: S3MS49195	Sample LO:	Production LO: India	
Style AS4471	Material Style 1491956	Style Description Pattern Washed Out™ Short	M24S8059
		Base Size 44	Size Scale 42 - 54
		Fit Regular	SMU Type N/A

Component	Material	Description	Fabric Width	Supplier	Locked	Country of Origin	Managing Liaison Office	UoM	Target Cost	FOB Unit Cost	CIF Unit Cost	Usage	Wastage %	Total FOB	Total CIF
Hangtag Package Part	097305	Columbia No Tech Hangtag	0.0	Bao Shen (Apparel)	N	Vietnam	Portland	ea	0.0	0.014	0.0	1.000	3.0	0.014	0.000
Hangtag Package Part	127015	Mens Shorts Regular Joker	0.0	Hang Sang Press Co. Ltd	N	unassigned	Portland	ea	0.0	0.036	0.0	1.000	0.0	0.036	0.000
Packaging 1	980001	Polybag See Standard CCS 4200 for specifications	0.0	Contractor	N	unassigned	Hong Kong	ea	0.0	0.0	0.0	1.000	3.0	0.000	0.000
Packaging 2	980010	UPC Bag Sticker Generic (MHW/Columbia) See CCS4400/4401 and MHW4402 for Mt Hardware for instructions	0.0	Avery Dennison Global	Y	China	Portland	ea	0.0	0.011	0.0	1.000	5.0	0.012	0.000
Packaging 3	064194	Outer Carton for costing purpose only	0.0	Contractor	N	unassigned	Hong Kong	ea	0.0	0.0	0.0	1.000	3.0	0.000	0.000

### Costing BOM

Line Slot: Washed Out Short		State: Production		Season: S25			
Merchandise Division: Sportswear		Merchandise Collection: Outdoor		Product Class: Woven Short			
Designer: owen.kessel		Developer: bellali		LO Developer: kgokul		Sourcing Manager: melissa.gallagher	
Fit Engineer: bellali							
Design:	S3MS49195	Sample LO:		Production LO:	India		
Style	Material Style	Style Description	Pattern	Base Size	Size Scale	Fit	SMU Type
AS4471	1491956	Washed Out™ Short	M24S8059	44	42 - 54	Regular	N/A



This is confidential and proprietary information of Columbia Sportswear Company. You agree that you will not disclose this information to any third party or use it for any purpose other than on behalf of Columbia. You have no right to use Columbia's name or any of its trademarks, trade names, copyrights, patents, designs or other intellectual property except as set forth in writing by Columbia.



## Care Report

Line Slot: Washed Out Short		State: Production		Season: S25			
Merchandise Division: Sportswear		Merchandise Collection: Outdoor		Product Class: Woven Short			
Designer: owen.kessel		Developer: bellali		LO Developer: kgokul			
Fit Engineer: bellali				Sourcing Manager: melissa.gallagher			
Design:	S3MS49195	Sample LO:		Production LO:	India		
Style	Material Style	Style Description	Pattern	Base Size	Size Scale	Fit	SMU Type
AS4471	1491956	Washed Out™ Short	M24S8059	44	42 - 54	Regular	N/A



**Care Code: 1080**

English	Machine Wash Cold Gentle, With Like Colors, Non-Chlorine Bleach When Needed, Tumble Dry Low, Remove Promptly, Iron Medium, If Present Do Not Iron Decal, Drycleanable	Color Way Number	Color Way Name
<b>French</b>	Lavage machine à froid, Cycle délicat, Avec des couleurs similaires, Blanchir sans chlore si besoin, Séchage machine, basse température, Sortir immédiatement de la machine, Repasser à température moyenne, Le cas échéant, ne pas repasser la décalcomanie, Nettoyable à sec	022	Grey Ash
<b>German</b>	Schonwaschgang mit kaltem Wasser, Mit gleichen Farben, Nach Bedarf chlorfreies Bleichmittel verwenden, Trocknen im Wäschetrockner bei niedriger Temperatur, Sofort aus dem Trockner nehmen, Bügeln mit mittlerer Temperatur, Falls vorhanden, Dekorbild nicht bügeln, Reinigungsfähig	161	Fossil
<b>Portuguese</b>	Lavar à maquina com água fria, ciclo para roupas delicadas, Com cores similares, Alvejar sem cloro quando necessário, Secar à máquina em temperatura baixa, Remover prontamente, Passar a ferro em temperatura média, Se presente, não passar o ferro sobre o decalque, Lavável a seco	245	Crouton
<b>Spanish</b>	Lavar a maquina con agua fría, en ciclo delicado, Lavar con colores similares, Use lejía sin cloro cuando sea necesario, Usar secadora a temperatura baja, Retirar inmediatamente, Planchar a temperatura media, En su caso, no planche la pegatina, Lavable en seco	347	Safari
<b>Italian</b>	Lavare in lavatrice in acqua fredda, ciclo delicato, Con colori simili, Solo candeggina senza cloro se necessario, Asciugare a tamburo a bassa temperatura, Rimuovere tempestivamente, Stirare con ferro a temperatura media, Se presente, non stirare la decalcomania, Lavabile a secco	364	River Blue
<b>Russian</b>	Щадящая машинная стирка в холодной воде, Стирать с изделиями подобного цвета, Отбеливать без хлора, Сушить при низкой температуре, Сразу убрать из сушилки, Гладить при средней температуре, Если есть, не гладить наклейки и роспись на текстиле, Химчистка допускается	365	Sage
<b>Czech Republican</b>	Praní v pračce při nízké teplotě, jemný cyklus, S podobnými barvami, V případě potřeby bělit bez chlóru, Sušení v sušičce, nízká teplota, Ihned odepnout, Žehlení při střední teplotě, Nežehlit obtisky, jsou-li přítomny, Vhodné k chemickému čištění	421	India Ink
<b>Hebrew</b>	כביסה במכונה במים קרים, כביסה עדינה, עם צבעים דומים, מלבין ללא כלור, בעת הצורך, לייבש במייבש כביסה בחום נמוך, להסיר מיד, לרהץ בחום בינוני, אם ישנה, לא לרהץ את מדבקת הדקאל, ניתן לנקות בניקוי יבש	432	Ripple Blue
<b>Hungarian</b>	Géppel mossa, hideg vízzel, kímélő programmal, Hasonló színűekkel, Szükség esetén klórmentes fehéritőt használjon, Szárítógépben alacsony hőfokon szárítsa, Mosás után azonnal vegye ki a gépből, Közepes hőfokon vasalja, Ha van az anyagon matrica, azt ne vasalja, Vegytisztítható	614	Mountain Red
<b>Polish</b>	Prac w temperaturze nie przekraczającej 30°C, cykl delikatny, Prac z podobnymi kolorami, Wybielać niechlorowym wybielaczem w razie potrzeb, Można suszyć bębnowo, niska temperatura, Natychmiast usunąć, Prasować w temperaturze do 150°C, Nie prasować ozdób, jeśli są obecne, Można czyścić chemicznie	851	Tuscan
<b>Portuguese Brazil</b>	Lavar à maquina com água fria, ciclo para roupas delicadas, Com cores similares, Alvejar sem cloro quando necessário, Secar em tambor rotativo em temperatura baixa, Remover prontamente, Passar a ferro em temperatura média, Se presente, não passar o ferro sobre o decalque, Lavável a seco		
<b>Slovakian</b>	Perte v pračce v studenej vode, šetriaci program, Spolu len podobné farby, V prípade potreby použite odfarbovací prostriedok bez obsahu chlóru, Sušte v bubnovej sušičke pri nízkych otáčkach, Okamžite odstráňte, Žehlite mierne teplou žehličkou, Ak má štítok, nežehlite ho, Môže sa čistiť chemicky		
<b>Slovenian</b>	Nežno mrzlo strojno pranje, Z podobnimi barvami, Belite brez klora po potrebi, Nizko strojno sušenje, Odstraniti takoj, Srednje likanje, Če obstaja, ne likati nalepk, Za suho čiščenje		
<b>Spanish Latin American</b>	Lavar a maquina con agua fría, en ciclo delicado, Lavar con colores similares, Usar blanqueador sin cloro cuando sea necesario, Usar secadora a temperatura baja, Retirar inmediatamente, Planchar a temperatura media, En su caso, no planche el diseño impreso, Lavable en seco		
<b>Turkish</b>	Makinada Yıkanır, Soğuk, Narin Program, Aynı Renklerle Yıkayın, Gerekirse Klor İçermeyen Ağartıcı Kullanın, Tambur Kurutma, Düşük, Hemen Çıkarın, Orta Isıda Ütöleyin, Varsa Çıkartmayı Ütölemeyin, Kuru Temizleme Yapılır		
<b>Chinese Simplified</b>	冷水慢循环机洗, 可与相近色同洗, 在必要时进行非氯漂白, 低温滚筒烘干, 及时拆除, 中温熨烫, 如有, 请勿熨烫贴花, 可干洗		

### Care Report

Line Slot: Washed Out Short	State: Production		Season: S25				
Merchandise Division: Sportswear	Merchandise Collection: Outdoor	Product Class: Woven Short					
Designer: owen.kessel	Developer: bellali	LO Developer: kgokul		Sourcing Manager: melissa.gallagher			
Fit Engineer: bellali							
Design: S3MS49195	Sample LO:	Production LO: India					
Style AS4471	Material Style 1491956	Style Description Washed Out™ Short	Pattern M24S8059	Base Size 44	Size Scale 42 - 54	Fit Regular	SMU Type N/A



<b>Chinese Traditional</b>	冷水慢迴圈機洗, 可與相近色同洗, 在需要時進行非氯漂白, 低溫滾筒烘乾, 及時拆除, 中溫熨燙, 如有, 請勿熨燙貼花, 可乾洗
<b>Japanese</b>	洗濯機水洗い(デリケートコース), 同系色と一緒に洗濯してください, 非塩素系漂白剤使用可(必要な場合), 乾燥機使用可(低温), すぐに外してください, アイロン可(中温), 転写シールへのアイロン使用不可(ある場合), ドライクリーニング可
<b>Korean</b>	가, 가, , 가, , , , , ,
<b>Danish</b>	Kold maskinvask, skåneprogram, Sammen med lignende farver, Brug blegemiddel uden klorin efter behov, Tør i tørretumbler, lav, Fjern med det samme, Stryges ved medium temperatur, Tryk må ikke stryges, Kan renses kemisk
<b>Norwegian</b>	Maskinvask kald, forsiktig, Med like farger, Ikke-klorin blekes ved behov, Tørketrommel, lav, Fjernes umiddelbart, Strykes middels varme, Ikke bruk strykejern på klistremerke, Kan renses
<b>Swedish</b>	Maskintvättas kallt mjuk cykel, Med liknande färger, Bleks med blekmedel utan klorin efter behov, Torktumlas på låg nivå, Ta bort omgående, Stryks på mellannivå, Dekal får inte strykas om befintlig, Tål kemtvätt
<b>Dutch</b>	Koud wassen in wasmachine op zacht, Met overeenkomende kleuren, Chloorvrij bleken indien nodig, In droger op laag, Meteen verwijderen, Op medium strijken, Indien aanwezig sticker niet strijken, Mag gestoomd worden
<b>French Canadian</b>	Laver à la machine à l'eau froide, cycle délicat, avec des couleurs similaires, Utiliser seulement un agent de blanchiment non chloré au besoin, Séchage par culbutage à basse température, Retirer aussitôt sec, Repasser à température moyenne, Ne pas repasser de décalcomanie, Peut se nettoyer à sec





## Content Report

Line Slot: Washed Out Short		State: Production		Season: S25			
Merchandise Division: Sportswear		Merchandise Collection: Outdoor		Product Class: Woven Short			
Designer: owen.kessel		Developer: bellali		LO Developer: kgokul			
Fit Engineer: bellali				Sourcing Manager: melissa.gallagher			
Design:	S3MS49195	Sample LO:		Production LO:	India		
Style	Material Style	Style Description	Pattern	Base Size	Size Scale	Fit	SMU Type
AS4471	1491956	Washed Out™ Short	M24S8059	44	42 - 54	Regular	N/A



CONTENT CODE: AWX		Color Way Number	Color Way Name
Shell: 100% Cotton			
Lining: 65% Polyester, 35% Cotton Exclusive of Trimming		851	Tuscan
FRENCH	Extérieur: 100% Coton	347	Safari
	Doublure: 65% Polyester, 35% Coton Sauf les bordures	614	Mountain Red
GERMAN	Außenhülle: 100% Baumwolle	365	Sage
	Futter: 65% Polyester, 35% Baumwolle Ohne Besatz	432	Ripple Blue
PORTUGUESE	Exterior: 100% Algodão	022	Grey Ash
	Revestimento: 65% Poliéster, 35% Algodão Sem orlas	161	Fossil
SPANISH	Cubierta: 100% Algodón	245	Crouton
	Revestimiento: 65% Poliéster, 35% Algodón Exclusivo de los ribetes	421	India Ink
ITALIAN	Guscio esterno: 100% Cotone	364	River Blue
	Fodera: 65% Poliestere, 35% Cotone Ad eccezione dei bordini		
RUSSIAN	Оболочка: 100% Хлопок		
	Подклад: 65% Полиэфир, 35% Хлопок Без дополнительных деталей		
CZECH REPUBLICAN	Skořepina: 100% Bavlna		
	Podšívka: 65% Polyester, 35% Bavlna Bez nášivek		
HEBREW	מעטפת חיצונית: 100% כותנה בטנה: 65% פוליאסטר, 35% כותנה ללא קישוט		
HUNGARIAN	Külső: 100% Pamut		
	Bélés: 65% Poliészter, 35% Pamut Szegélydíszen kívül		
POLISH	Powłoka: 100% Bawełna		
	Podszewka: 65% Poliester, 35% Bawełna Wyłączając naszywki		
PORTUGUESE BRAZIL	Exterior: 100% Algodão		
	Forro: 65% Poliéster, 35% Algodão Sem adornos		
SLOVAKIAN	Plášť: 100% Bavlna		
	Podšívka: 65% Polyester, 35% Bavlna Okrem lemovania		
SLOVENIAN	Lupina: 100% Bombaž		
	Podloga: 65% Poliester, 35% Bombaž Brez obrezovanja		
SPANISH LATIN AMERICAN	Cubierta: 100% Algodón		
	Revestimiento: 65% Poliéster, 35% Algodón Exclusivo de los ribetes		
TURKISH	Kabuk: 100% Pamuk		
	Astar: 65% Polyester, 35% Pamuk Süsler Hariç		

## Content Report

Line Slot: Washed Out Short		State: Production		Season: S25			
Merchandise Division: Sportswear		Merchandise Collection: Outdoor		Product Class: Woven Short			
Designer: owen.kessel		Developer: bellali		LO Developer: kgokul			
Fit Engineer: bellali				Sourcing Manager: melissa.gallagher			
Design:	S3MS49195	Sample LO:		Production LO:	India		
Style	Material Style	Style Description	Pattern	Base Size	Size Scale	Fit	SMU Type
AS4471	1491956	Washed Out™ Short	M24S8059	44	42 - 54	Regular	N/A



<b>CHINESE SIMPLIFIED</b>	<b>外壳:</b>	100% 棉
	<b>衬里:</b>	65% 聚酯, 35% 棉 不包括装饰品
<b>CHINESE TRADITIONAL</b>	<b>外壳:</b>	100% 棉
	<b>衬里:</b>	65% 聚酯, 35% 棉 不包括装饰品
<b>JAPANESE</b>	<b>シエル:</b>	100% 綿
	<b>裏地:</b>	65% ポリエステル, 35% 綿 装饰品を除く
<b>KOREAN</b>	:	100%
	:	65% , 35%
<b>DANISH</b>	<b>Skal:</b>	100% Bomuld
	<b>Foring:</b>	65% Polyester, 35% Bomuld Inkluderer ikke kant
<b>NORWEGIAN</b>	<b>Skall:</b>	100% Bomull
	<b>Foring:</b>	65% Polyester, 35% Bomull Eksklusiv trimming
<b>SWEDISH</b>	<b>Ytterdel:</b>	100% Bomull
	<b>Foder:</b>	65% Polyester, 35% Bomull Utan trimming
<b>DUTCH</b>	<b>Schelp:</b>	100% Katoen
	<b>Bekleding:</b>	65% Polyester, 35% Katoen Exclusief trimmen
<b>FRENCH CANADIAN</b>	<b>Extérieur:</b>	100% Coton
	<b>Doublure:</b>	65% Polyester, 35% Coton Exclut les bordures

### Pattern Piece Detail

Line Slot: Washed Out Short		State: Production		Season: S25			
Merchandise Division: Sportswear	Merchandise Collection: Outdoor	Product Class: Woven Short					
Designer: owen.kessel	Developer: bellali	LO Developer: kgokul	Sourcing Manager: melissa.gallagher				
Fit Engineer: bellali							
Design:	S3MS49195	Sample LO:	Production LO:	India			
Style	Material Style	Style Description	Pattern	Base Size	Size Scale	Fit	SMU Type
AS4471	1491956	Washed Out™ Short	M24S8059	44	42 - 54	Regular	N/A



#### M24S8059 - Supersize

Component	Quantity	Long Description	Abbreviation	Code
-----------	----------	------------------	--------------	------

This is confidential and proprietary information of Columbia Sportswear Company. You agree that you will not disclose this information to any third party or use it for any purpose other than on behalf of Columbia. You have no right to use Columbia's name or any of its trademarks, trade names, copyrights, patents, designs or other intellectual property except as set forth in writing by Columbia.

### Measurements

Line Slot: Washed Out Short  
 Merchandise Division: Sportswear  
 Designer: owen.kessel  
 Fit Engineer: bellali

Merchandise Collection: Outdoor  
 Developer: bellali

State: Production  
 Product Class: Woven Short  
 LO Developer: kgokul

Season: S25  
 Sourcing Manager: melissa.gallagher



Design:	S3MS49195	Sample LO:		Production LO:	India		
Style	Material Style	Style Description	Pattern	Base Size	Size Scale	Fit	SMU Type
AS4471	1491956	Washed Out™ Short	M24S8059	44	42 - 54	Regular	N/A

Sort Order		Use	Type	Placeme nt	(+/-)	42	44	46	48	50	52	54
Grade Rule: CSC Mens Sportswear Shorts (Numeric) - Supersize - 40-60 (44) - NT - Block: null												
4100.0	WAIST WIDTH AT TOP - circumference	QC	Graded		0.0	43.5	<b>45.5</b>	47.5	49.5	51.5	53.5	55.5
4103.0	WAIST WIDTH AT BOTTOM - circumference	QC	Graded		0.0	45.0	<b>47.0</b>	49.0	51.0	53.0	55.0	57.0
4150.0	WAISTBAND HEIGHT - bottoms		Graded		0.0	1.75	<b>1.75</b>	1.75	1.75	1.75	1.75	1.75
4180.0	BELT LOOP LENGTH		Graded		0.0	2.0	<b>2.0</b>	2.0	2.0	2.0	2.0	2.0
4181.0	BELT LOOP WIDTH		Graded		0.0	0.5	<b>0.5</b>	0.5	0.5	0.5	0.5	0.5
4182.0	BELT LOOP TOTAL QUANTITY		Varies By Style		0.125	7.0	<b>7.0</b>	7.0	7.0	7.0	7.0	7.0
4200.0	HIP WIDTH POSITION - at side seam - including waistband		Graded		0.0	9.0	<b>9.25</b>	9.5	9.75	10.0	10.25	10.5
4201.0	HIP WIDTH POSITION - at front rise - including waistband		Graded		0.0	8.25	<b>8.5</b>	8.75	9.0	9.25	9.5	9.75
4250.0	HIP WIDTH (Bottoms) - circumference	QC	Graded		0.0	51.25	<b>53.0</b>	54.5	56.0	57.5	59.0	60.5
4400.0	FRONT RISE - from top of waistband	QC	Graded		0.0	12.625	<b>13.0</b>	13.375	13.75	14.125	14.5	14.875
4450.0	BACK RISE - from top of waistband	QC	Graded		0.0	18.625	<b>19.0</b>	19.375	19.75	20.125	20.5	20.875
4600.0	THIGH WIDTH - circumference - 1 inch down from crotch seam	QC	Graded		0.0	32.0	<b>33.0</b>	33.875	34.75	35.625	36.5	37.375
4950.0	SHORT LEG OPENING - circumference - A	QC	Graded		0.0	27.25	<b>28.25</b>	29.125	30.0	30.875	31.75	32.625
4951.0	SHORT LEG OPENING - circumference - B	QC	Graded		0.0	26.0	<b>27.0</b>	27.875	28.75	29.625	30.5	31.375

### Measurements

Line Slot: Washed Out Short		State: Production		Season: S25			
Merchandise Division: Sportswear		Merchandise Collection: Outdoor		Product Class: Woven Short			
Designer: owen.kessel		Developer: bellali		LO Developer: kgokul			
Fit Engineer: bellali				Sourcing Manager: melissa.gallagher			
Design:	S3MS49195	Sample LO:		Production LO:	India		
Style	Material Style	Style Description	Pattern	Base Size	Size Scale	Fit	SMU Type
AS4471	1491956	Washed Out™ Short	M24S8059	44	42 - 54	Regular	N/A



Sort Order		Use	Type	Placeme nt	(+/-)	42	44	46	48	50	52	54
5400.0	SHORT INSEAM LENGTH - A	QC	Graded		0.0	8.0	<b>8.0</b>	8.0	8.0	8.0	8.0	8.0
5401.0	SHORT INSEAM LENGTH - B	QC	Graded		0.0	10.0	<b>10.0</b>	10.0	10.0	10.0	10.0	10.0
5900.0	SHORT OUTSEAM LENGTH - with waistband - A	QC	Graded		0.0	19.875	<b>20.25</b>	20.5	20.875	21.125	21.5	21.75
5901.0	SHORT OUTSEAM LENGTH - with waistband - B	QC	Graded		0.0	21.875	<b>22.25</b>	22.5	22.875	23.125	23.5	23.75
6610.0	FRONT POCKET OPENING - horizontal from side seam - along waist seam or waist stitching		Varies By Style		0.125	1.5	<b>1.5</b>	1.5	1.5	1.5	1.5	1.5
6611.0	FRONT POCKET OPENING - vertical from waist seam or waist stitching		Varies By Style		0.125	7.5	<b>7.5</b>	7.5	8.0	8.0	8.0	8.0
6720.0	BACK POCKET OPENING		Varies By Style		0.125	6.5	<b>6.5</b>	6.5	7.0	7.0	7.0	7.0
3670.0	Zipper 1		Component		0.0	6.5	<b>7.0</b>	7.0	7.5	7.5	8.0	8.0

This is confidential and proprietary information of Columbia Sportswear Company. You agree that you will not disclose this information to any third party or use it for any purpose other than on behalf of Columbia. You have no right to use Columbia's name or any of its trademarks, trade names, copyrights, patents, designs or other intellectual property except as set forth in writing by Columbia.

### Thumbnail

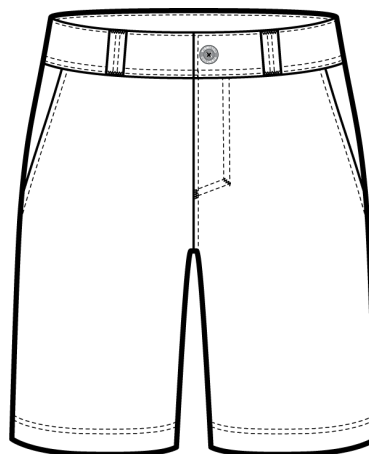
Line Slot: Washed Out Short  
 Merchandise Division: Sportswear  
 Designer: owen.kessel  
 Fit Engineer: bellali

Merchandise Collection: Outdoor  
 Developer: bellali

State: Production  
 Product Class: Woven Short  
 LO Developer: kgokul

Season: S25  
 Sourcing Manager: melissa.gallagher

Design:	S3MS49195	Sample LO:		Production LO:	India		
Style	Material Style	Style Description	Pattern	Base Size	Size Scale	Fit	SMU Type
AS4471	1491956	Washed Out™ Short	M24S8059	44	42 - 54	Regular	N/A



This is confidential and proprietary information of Columbia Sportswear Company. You agree that you will not disclose this information to any third party or use it for any purpose other than on behalf of Columbia. You have no right to use Columbia's name or any of its trademarks, trade names, copyrights, patents, designs or other intellectual property except as set forth in writing by Columbia.

## Technical

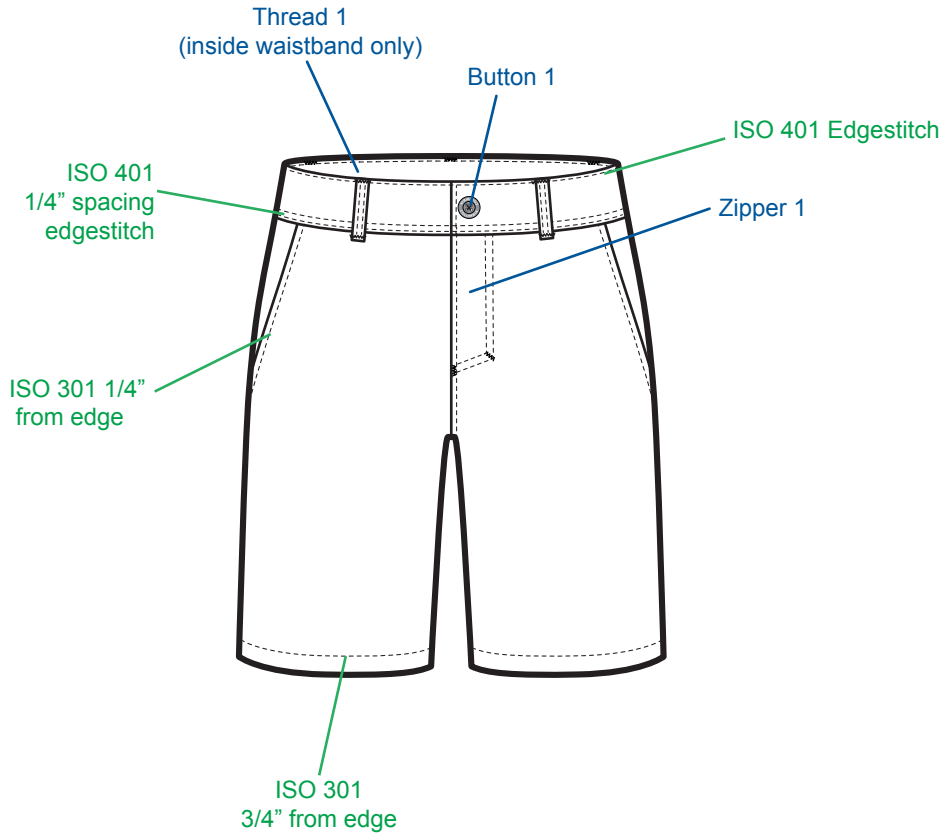
Line Slot: Washed Out Short		State: Production		Season: S25			
Merchandise Division: Sportswear	Merchandise Collection: Outdoor	Product Class: Woven Short					
Designer: owen.kessel	Developer: bellali	LO Developer: kgokul		Sourcing Manager: melissa.gallagher			
Fit Engineer: bellali							
Design:	S3MS49195	Sample LO:	Production LO:	India			
Style	Material Style	Style Description	Pattern	Base Size	Size Scale	Fit	SMU Type
AS4471	1491956	Washed Out™ Short	M24S8059	44	42 - 54	Regular	N/A



Last Updated: 1.24.23 CW

Thread 2: All stitching unless noted  
 Interfacing 1: Front Fly, Waistband, back welt  
 Label 1-2: Follow CSC Brand Placement Manual  
 Lining 1: Pocket bags

ISO 301 edgestitch:  
 All topstitching unless noted

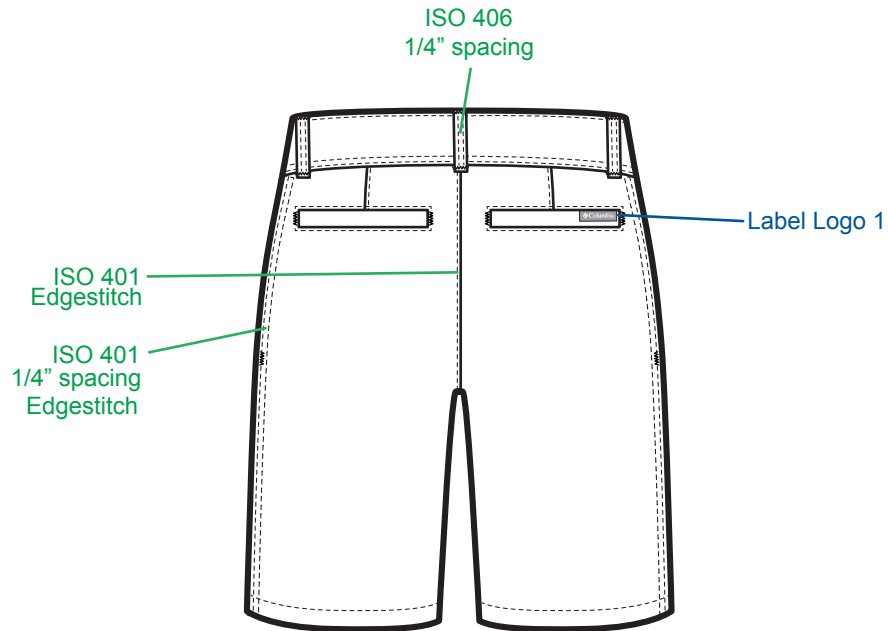


/Volumes/Sportswear/2024 SPRING/MENS/ODL/Carryovers/49195\_Washed\_Out\_Short

## Technical

Line Slot: Washed Out Short      State: Production      Season: S25  
 Merchandise Division: Sportswear      Merchandise Collection: Outdoor      Product Class: Woven Short  
 Designer: owen.kessel      Developer: bellali      LO Developer: kgokul      Sourcing Manager: melissa.gallagher  
 Fit Engineer: bellali

Design:	S3MS49195	Sample LO:	Production LO:	India			
Style	Material Style	Style Description	Pattern	Base Size	Size Scale	Fit	SMU Type
AS4471	1491956	Washed Out™ Short	M24S8059	44	42 - 54	Regular	N/A



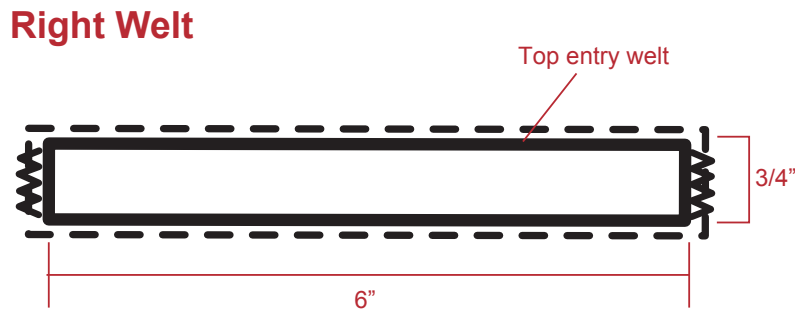
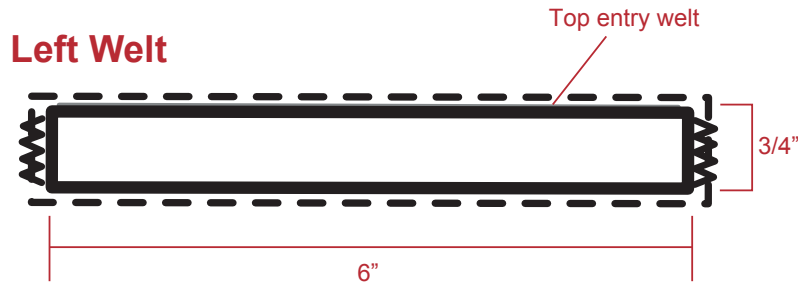
This is confidential and proprietary information of Columbia Sportswear Company. You agree that you will not disclose this information to any third party or use it for any purpose other than on behalf of Columbia. You have no right to use Columbia's name or any of its trademarks, trade names, copyrights, patents, designs or other intellectual property except as set forth in writing by Columbia.



### Detail Sketch

Line Slot: Washed Out Short      State: Production      Season: S25  
 Merchandise Division: Sportswear      Merchandise Collection: Outdoor      Product Class: Woven Short  
 Designer: owen.kessel      Developer: bellali      LO Developer: kgokul      Sourcing Manager: melissa.gallagher  
 Fit Engineer: bellali

Design:	S3MS49195	Sample LO:	Production LO:	India			
Style	Material Style	Style Description	Pattern	Base Size	Size Scale	Fit	SMU Type
AS4471	1491956	Washed Out™ Short	M24S8059	44	42 - 54	Regular	N/A



This is confidential and proprietary information of Columbia Sportswear Company. You agree that you will not disclose this information to any third party or use it for any purpose other than on behalf of Columbia. You have no right to use Columbia's name or any of its trademarks, trade names, copyrights, patents, designs or other intellectual property except as set forth in writing by Columbia.

# Hangtag Package Report

Apparel Style: AS4471

Season: S25

Brand: Columbia

Merchandise Category: Sportswear

Merchandiser: Lee.Braxton

Line Slot: Washed Out Short

Sort Order: 1.0 Part: 097305 - Columbia No Tech Hangtag  
 Instruction: (FOR BOTTOMS WITH BELT LOOPS) Hangtags are to be placed on one 5" circular swift tack looped thru front belt loop nearest left side seam

SKU/Version ID	Size	Name	SV (Vendor Code)
OP184553	097305	OP184553_097305_TC_Columbia_No Tech	09-26-22

TECH CARD  
(Front)



TECH CARD  
(Back)



SKU/Version ID	Color	Material	Weight (G)	Material Code
Process Blue / Process Blue	Blue	32# C/S		TC-1
2.32" x 3.48" / 58.96mm x 88.26mm		Apexair Coating Dia Cut 3mm Patch		TC-1

Sort Order: 2.0 Part: 127015 - Mens Shorts Regular Joker  
 Instruction: JOKER (Please place on right back waistband clear of hanger clip)

SKU/Version ID	Size	Name	SV (Vendor Code)
OP1490994	127015	OP1490994_127015_JK_M_Short_Regular	10-19-23

JOKER  
(Front)



JOKER  
(Back)



SKU/Version ID	Color	Material	Weight (G)	Material Code
Black / Process Blue	Blue	32# C/S		JK-13
1.70" x 2.7" / 42.7mm x 68.2mm		Apexair Coating Dia Cut Score Variable Data		JK-13

Sort Order: 9.0 Part: 121612 - MSRP/UPC with RFID Specs for MSRP.  
 Please refer to VAS specs for any exceptions. MSRP required on all product shipping to the US.  
 Instruction:

