

### Part Specifications with Approved Suppliers

Line Slot: Arlingdale Softshell      State: Production      Season: S25  
 Merchandise Division: Outerwear      Merchandise Collection: Exclusive      Product Class: Soft Shell Tops  
 Designer: so.tauch      Developer: ccheng      LO Developer: triveni.hebbbar      Sourcing Manager: james.burnett  
 Fit Engineer: ccheng



Design: S5MO215433      Sample LO:      Production LO: India      Vendor Master: INDIA      Vendor Master: INDIA  
 Production LO:      Sourcing LO:  
 Style      Material Style      Style Description      Pattern      Base Size      Size Scale      Fit      SMU Type  
 XO4937      2154331      Arlingdale™ Softshell      L24M3140      M      S - XXL      Active      Style Add

Number	Description	UM	Fiber Content	Fiber Content Back	Material Coating	Material Finish (Face)	Material Laminate	Trim Specific	Supplier Art No	Country of Origin	Standard Cost (FOB)	Purchase Cost (CIF)	Product on Lead Time with Greige	Product on Lead Time without Greige
<b>Fabric</b>														
121277	PFC FREE Version of 032888 - Nexgen Contour Softshell	yd	100% Polyester	100% Polyester	MaterialCoatingNone	Durable Water Repellent (80/10HL) CO PFOA/PFOS Free	Adhesive - Dot Matrix							
Jiaxing Deyong Textiles Co Ltd (JDT)		Fabric Width: 55.0 in			Width Type: unassigned Primary Weight: 310.0 g/m2				TBD	China	4.43	0.0	48	70
119358	PFC Free Version of 064235 Nexgen Precision and Contour Softshell Face Only	yd	100% Polyester	unassigned	MaterialCoatingNone	MaterialFinishNone, Durable Water Repellent (80/10HL) CO PFOA/PFOS Free	MaterialLaminateNone							
Apex Textile Co. Ltd.		Fabric Width: 58.0 in			Width Type: cuttable Primary Weight: 119.0 g/m2				FA1107DE	China	1.94	0.0	30	40
004476	FOR POCKETING AND YOUTH STYLES ONLY Chamois Touch Tricot	yd	100% Polyester	unassigned	unassigned	Anti-pill (face), Brushed (Tech Face)	unassigned							
Huge-Bamboo Enterprise Co., Ltd.		Fabric Width: 60.0 in			Width Type: cuttable Primary Weight: 75.0 g/m2				RA145069-7C-5910225A	Vietnam	0.65	0.0	35	50
Haren Textiles Pvt. Ltd.		Fabric Width: 60.0 in			Width Type: cuttable Primary Weight: 80.0 g/m2				90363	India	0.68	0.0	30	45
YOUNGONE CORPORATION--Fabric division		Fabric Width: 60.0 in			Width Type: cuttable Primary Weight: 77.0 g/m2				PDM004476	Bangladesh	0.93	0.0	40	70
Huge Rock Textile Co., Ltd.		Fabric Width: 60.0 in			Width Type: cuttable Primary Weight: 75.0 g/m2				004476	Taiwan	0.95	0.0	60	75
HTT Insprite (Xiamen) Imp & Exp Co. Ltd.		Fabric Width: 60.0 in			Width Type: cuttable Primary Weight: 75.0 g/m2				004476	China	0.67	0.0	35	60
011958	Interlining Sew-In Non-Woven Lightweight Soft. Recycled version 110671	yd	80% Polyester, 20% Viscose	unassigned	unassigned	unassigned	unassigned							
MaxBond		Fabric Width: 48.0 in			Width Type: cuttable Primary Weight: 30.0 g/m2				VP2830	Vietnam	0.28	0.0	10	20
PCC asia LLC		Fabric Width: 60.0 in			Width Type: cuttable Primary Weight: 29.0 g/m2				CL2101	China	0.23	0.0	14	21
<b>Trim</b>														

**Part Specifications with Approved Suppliers**

Line Slot: Arlingdale Softshell State: Production Season: S25  
 Merchandise Division: Outerwear Merchandise Collection: Exclusive Product Class: Soft Shell Tops  
 Designer: so.tauch Developer: ccheng LO Developer: triveni.hebbbar Sourcing Manager: james.burnett  
 Fit Engineer: ccheng  
 Design: S5MO215433 Sample LO: Production LO: India Vendor Master INDIA Vendor Master INDIA  
 Production LO: Sourcing LO:  
 Style Material Style Style Pattern Base Size Size Scale Fit SMU Type  
 Description  
 XO4937 2154331 Arlingdale™ L24M3140 M S - XXL Active Style Add  
 Softshell



Number	Description	UM	Fiber Content	Fiber Content Back	Material Coating	Material Finish (Face)	Material Laminate	Trim Specific	Supplier Art No	Country of Origin	Standard Cost (FOB)	Purchase Cost (CIF)	Product on Lead Time with Greige	Product on Lead Time without Greige
011001	3mm (fits single dc size 3mm) Small Hard TPU Cordlock Stopper 1 clr CANNOT BE DONE IN CLEAR COLOR White color may have a yellowing issue	ea	100% TPU	unassigned	unassigned	unassigned	unassigned	Size UM: mm						
Nifco Taiwan Corporation									CLS3	Taiwan	0.0432	0.0	30	35
Unitex International Button Accessories Ltd									011001	China	0.034	0.0322	32	32
Vietnam Trien Trieu (VTT)									486811	Vietnam	0.03	0.0	30	30
FGV - Shahi Exports Pvt. (SEP) Ltd.									011001	India	0.027	0.0	20	30
POONG HAN PLASTIC (BD) LIMITED									PHCOL-007	Bangladesh	0.0112	0.0	30	30
003472	76mm (A) Bug Columbia Logo embroidery 1 clr. Est st ct 1795	ea	unassigned	unassigned	unassigned	unassigned	unassigned	Size UM: mm Height: 14.0						
Contractor									unassigned	unassigned	0.0	0.0	0	0
Contractor-Korea									3472	South Korea	0.1	0.0	14	14
005952	2mm Stretch Strong Drawcord 1 clr	yd	64% Latex, 36% Polyester	unassigned	unassigned	unassigned	unassigned	Size UM: mm						
Paiho Global									5952	Taiwan	0.073	0.0	30	60
Gong Myung Korea									GM-005952	South Korea	0.068	0.0	30	30
Cosmos Knitting International Co. Ltd.									005952	Vietnam	0.079	0.0	30	35
Naturub Group of Companies									BBA-015605	Bangladesh	0.0761	0.0	30	30
FGV - Shahi Exports Pvt. (SEP) Ltd.									005952	India	0.061	0.0	12	15
008166	1.5mm non stretch drawcord w/ticks 2 clr (ECO version use 082935)	yd	100% Polyester	unassigned	unassigned	unassigned	unassigned	Size UM: yd						
Chun Wo Ho Co. Ltd									320704	China	0.07	0.0	30	35
Gong Myung Korea									GM-8166	South Korea	0.056	0.0	30	30
Paiho Global									008166	Taiwan	0.049	0.0	30	60
Naturub Group of Companies									BBA011534 (Multicolor) / BBA-011773 (Solid color)	Bangladesh	0.0456	0.0	15	25
FGV Sourced									008166	unassigned	0.0	0.0	15	0
FGV - Shahi Exports Pvt. (SEP) Ltd.									008166	India	0.045	0.0	15	25

## Part Specifications with Approved Suppliers

Line Slot: Arlingdale Softshell      State: Production      Season: S25  
 Merchandise Division: Outerwear      Merchandise Collection: Exclusive      Product Class: Soft Shell Tops  
 Designer: so.tauch      Developer: ccheng      LO Developer: triveni.hebbbar      Sourcing Manager: james.burnett  
 Fit Engineer: ccheng



Design: S5MO215433      Sample LO:      Production LO: India      Vendor Master INDIA      Vendor Master INDIA  
 Style      Material Style      Style      Pattern      Base Size      Size Scale      Fit      SMU Type  
 Description      Sourcing LO:  
 XO4937      2154331      Arlingdale™      L24M3140      M      S - XXL      Active      Style Add

Number	Description	UM	Fiber Content	Fiber Content Back	Material Coating	Material Finish (Face)	Material Laminate	Trim Specific	Supplier Art No	Country of Origin	Standard Cost (FOB)	Purchase Cost (CIF)	Product on Lead Time with Greige	Product on Lead Time without Greige
026906	SAME AS 420024 6mm ID Metal Finish Eyelet 1 clr finish. Use 059588 for enamel DTM color.	set	80% Brass, 20% Other Fibers	unassigned	unassigned	unassigned	unassigned	Size UM: mm						
Button International Company									026906	Taiwan	0.009	0.0148	30	40
Sungbo									026906	South Korea	0.0112	0.0	30	30
Vietnam Trien Trieu (VTT)									026906	Vietnam	0.03	0.0	0	15
Unitex International Button Accessories Ltd									420024	China	0.0129	0.0	35	40
ZHEJIANG WEIXING IMP AND EXP COMPANY LTD(SAB Zippers)									SABETCLB03	Bangladesh	0.0105	0.0	20	20
460003	3/4in (20mm) Linear Hook/ two side edge 1clr	yd	100% Nylon	unassigned	unassigned	unassigned	unassigned	Size UM: mm Width: 19.0						
Gong Myung Korea									460003	South Korea	0.16	0.0	30	30
Velcro Ltd									460003	Hong Kong	0.3658	0.0	0	45
Sanjay Impex (Sky Magic)									460003	India	0.0	0.0	0	0
Paiho Global									460003	Taiwan	0.153	0.0	30	45
FGV - Maxzone Ltd. Astro Co. Ltd. (MZL)									460003	unassigned	0.0	0.0	0	0
059197	USE ONLY FOR ALL ADULTSIZES AND YOUTH S-XL 42mm x 8mm Lightweight Stripe woven ECO Hanger Loop DOWN 2 clr other colors w Director approval only	ea	100% Recycled Polyester	unassigned	unassigned	unassigned	unassigned	Size UM: mm						
Dong Young									DY-59197	South Korea	0.024	0.0	25	25
Avery Dennison Global									059197	China	0.024	0.0	30	30
460004	3/4in (20mm) Linear Loop/two side edge 1clr	yd	100% Nylon	unassigned	unassigned	unassigned	unassigned	Size UM: mm Width: 19.0						
Gong Myung Korea									460004	South Korea	0.16	0.0	30	30
Sanjay Impex (Sky Magic)									460004	India	0.0	0.0	0	0
Paiho Global									460004	Taiwan	0.153	0.0	30	45
FGV - Maxzone Ltd. Astro Co. Ltd. (MZL)									460004	unassigned	0.0	0.0	0	0
110529	Coats Astra spun Polyester Tex 30	meter	unassigned	unassigned	unassigned	unassigned	unassigned	Size UM: tex						
Coats Global Thread									110529	unassigned	0.00048	0.0	0	0
008214	Coats ASTRA Spun Polyester Tex 27 40/2	meter	100% Polyester	unassigned	unassigned	unassigned	unassigned	Size UM: tex						

## Part Specifications with Approved Suppliers



Line Slot: Arlingdale Softshell  
 Merchandise Division: Outerwear     Merchandise Collection: Exclusive     State: Production     Season: S25  
 Designer: so.tauch     Developer: ccheng     Product Class: Soft Shell Tops  
 Fit Engineer: ccheng     LO Developer: triveni.hebbar     Sourcing Manager: james.burnett

Design: S5MO215433     Sample LO:     Production LO: India     Vendor Master: INDIA     Vendor Master: INDIA  
 Style: Material Style     Style Description     Pattern     Base Size     Size Scale     Fit     SMU Type  
 XO4937     2154331     Arlingdale™ Softshell     L24M3140     M     S - XXL     Active     Style Add  
 Production LO:     Vendor Master: INDIA     Vendor Master: INDIA  
 Production LO:     Sourcing LO:

Number	Description	UM	Fiber Content	Fiber Content Back	Material Coating	Material Finish (Face)	Material Laminate	Trim Specific	Supplier Art No	Country of Origin	Standard Cost (FOB)	Purchase Cost (CIF)	Product on Lead Time with Greige	Product on Lead Time without Greige
Coats Global Thread									8754120	unassigned	0.0003	0.0	0	0
031940	4.5mm ID Toggle	ea	95% POM, 5% Stainless Steel	unassigned	unassigned	unassigned	unassigned	Size UM: mm						
Nifco Taiwan Corporation									FCL7AA	Taiwan	0.067	0.1	30	35
FGV - Shahi Exports Pvt. (SEP) Ltd.									031940	unassigned	0.066	0.0	30	40
002614	Plastic Washer (Polyurethane) (use on all Snap Stud and Post or Eyelets if needed) Clear CAN BE USED FOR YOUTH	ea	100% Polyurethane	unassigned	unassigned	unassigned	unassigned	Size UM: mm						
Unitex International Button Accessories Ltd									002614	China	0.0057	0.0	28	40
FGV Sourced									002614	unassigned	0.0	0.0	0	0
Button International Company									002614	Taiwan	0.0013	0.0	35	40
Sungbo									002614	unassigned	0.0	0.0	0	0
360027	3/8 in Grosgrain Tape Poly 1 clr	yd	100% Polyester	unassigned	unassigned	unassigned	unassigned	Size UM: mm Width: 9.5						
Gong Myung Korea									360027	South Korea	0.068	0.0	30	30
Paiho Global									360027	Taiwan	0.068	0.0	30	60
Naturub Group of Companies									BND017368	Bangladesh	0.0636	0.0	30	45
FGV - Shahi Exports Pvt. (SEP) Ltd.									360027	India	0.059	0.0	18	25
002673	CNFOL-56 DA8BLH H3 P-TOP REVERSE OpenEnd Left-in AutoLk LargeHole AntSilver Sldr/PI PlasticTopStop RevCoil CAN BE USED FOR CHILDREN Metal content	ea	unassigned	unassigned	unassigned	unassigned	unassigned	Size UM: in Length: 8.0						
YKK Global									CNFOL-56 DA8BLH H3 P-TOP REVERSE	Taiwan	0.2751	0.0	35	35
Ideal Fastener Global									NUSFOL56 N56B IP16	unassigned	0.2497	0.2428	21	28
003272	CNFC-56 DA8BLH H3 T-B-0 REVERSE Clsd AutoLk LargeHole PI AntSil Sldr/PI NoStop RevCoil Metal content	ea	unassigned	unassigned	unassigned	unassigned	unassigned	Size UM: in Length: 4.0						

### Part Specifications with Approved Suppliers

Line Slot: Arlingdale Softshell State: Production Season: S25  
 Merchandise Division: Outerwear Merchandise Collection: Exclusive Product Class: Soft Shell Tops  
 Designer: so.tauch Developer: ccheng LO Developer: triveni.hebbbar Sourcing Manager: james.burnett  
 Fit Engineer: ccheng



Design: S5MO215433 Sample LO: Production LO: India Vendor Master INDIA Vendor Master INDIA  
 Style Material Style Style Description Pattern Base Size Size Scale Fit SMU Type  
 XO4937 2154331 Arlingdale™ Softshell L24M3140 M S - XXL Active Style Add

Number	Description	UM	Fiber Content	Fiber Content Back	Material Coating	Material Finish (Face)	Material Laminate	Trim Specific	Supplier Art No	Country of Origin	Standard Cost (FOB)	Purchase Cost (CIF)	Product on Lead Time with Greige	Product on Lead Time without Greige
YKK Global									CNFC-56 DABLH H3 T-B-0	Taiwan	0.1967	0.0	35	50
Ideal Fastener Global									NSFC 56 N56B IP 16	unassigned	0.1554	0.0	21	28
059200	40mm CSC International Size Extended Woven ECO Loop Label for use with Hanger Loop	ea	100% Recycled Polyester	unassigned	unassigned	unassigned	unassigned	Size UM: mm						
Avery Dennison Global									059200	China	0.05772	0.0	30	30
Dong Young									DY-59200	South Korea	0.06	0.0	25	25
Manohar Filaments									23/11813/2	India	0.0461	0.0	30	30
006564	33mm Care Content ECO Booklet Fold label with fully translated country of origin WHT/BLK for most, BLK/WHT for Titanium only, GRY/BLK is for Garment DYE ONLY- waiting on updated artwork	ea	100% Recycled Polyester	unassigned	unassigned	unassigned	unassigned	Size UM: mm						
Dong Young									DY-006564	South Korea	0.04	0.0	15	15
Finotex El Salvador									006564	El Salvador	0.0	0.0	10	0
Avery Dennison Global									S2088861-8	China	0.016	0.0	30	30
Bao Shen (Apparel)									YL15110003 0 PS7530A5	unassigned	0.016	0.0	7	21
Nexgen Packaging Global									006564	unassigned	0.0221	0.0	21	28
126966	Active Fit Swing Tag	ea	unassigned	unassigned	unassigned	unassigned	unassigned	Size UM: in						
Hang Sang Press Co. Ltd									n/a	unassigned	0.023	0.0	0	0
Finotex El Salvador									FILE - 4885	El Salvador	0.016	0.0	21	28
097038	Columbia Omni-Shield Hangtag	ea	unassigned	unassigned	unassigned	unassigned	unassigned	Size UM: cm						
Hang Sang Press Co. Ltd									n/a	unassigned	0.0273	0.0	0	0
121612	MSRP/UPC with RFID Specs for MSRP. Please refer to VAS specs for any exceptions. MSRP required on all product shipping to the US.	ea	unassigned	unassigned	unassigned	unassigned	unassigned	Size UM: mm						
Bao Shen (Apparel)									n/a	unassigned	0.049	0.0	7	0

**Part Specifications with Approved Suppliers**

Line Slot: Arlingdale Softshell State: Production Season: S25  
 Merchandise Division: Outerwear Merchandise Collection: Exclusive Product Class: Soft Shell Tops  
 Designer: so.tauch Developer: ccheng LO Developer: triveni.hebbar Sourcing Manager: james.burnett  
 Fit Engineer: ccheng



Design: S5MO215433 Sample LO: Production LO: India Vendor Master INDIA Vendor Master INDIA  
 Production LO: Sourcing LO:  
 Style Material Style Style Pattern Base Size Size Scale Fit SMU Type  
 Description  
 XO4937 2154331 Arlingdale™ L24M3140 M S - XXL Active Style Add  
 Softshell

Number	Description	UM	Fiber Content	Fiber Content Back	Material Coating	Material Finish (Face)	Material Laminate	Trim Specific	Supplier Art No	Country of Origin	Standard Cost (FOB)	Purchase Cost (CIF)	Product on Lead Time with Greige	Product on Lead Time without Greige
Avery Dennison Global									n/a	unassigned	0.04875	0.0	14	0
064194	Outer Carton for costing purpose only	ea	unassigned	unassigned	unassigned	unassigned	unassigned	Size UM: mm						
Contractor									064194	unassigned	0.0	0.0	0	0
980001	Polybag See Standard CCS 4200 for specifications	ea	unassigned	unassigned	unassigned	unassigned	unassigned	Size UM: mm						
Contractor									980001	unassigned	0.0	0.0	0	0
980010	UPC Bag Sticker Generic (MHW/Columbia) See CCS4400/ 4401 and MHW4402 for Mt Hardware for instructions	ea	unassigned	unassigned	unassigned	unassigned	unassigned	Size UM: mm						
Hang Sang Press Co. Ltd									980010	Hong Kong	0.016	0.0	14	14
Avery Dennison Global									980010	China	0.011	0.0	30	30
FGV Sourced									980010	unassigned	0.0	0.0	0	0
Bao Shen (Apparel)									980010	unassigned	0.011	0.0	7	21
Nexgen Packaging Global									980010	unassigned	0.011	0.0	21	28

This is confidential and proprietary information of Columbia Sportswear Company. You agree that you will not disclose this information to any third party or use it for any purpose other than on behalf of Columbia. You have no right to use Columbia's name or any of its trademarks, trade names, copyrights, patents, designs or other intellectual property except as set forth in writing by Columbia.

**Color BOM**

Line Slot: Arlingdale Softshell      State: Production      Season: S25  
 Merchandise Division: Outerwear      Merchandise Collection: Exclusive      Product Class: Soft Shell Tops  
 Designer: so.tauch      Developer: ccheng      LO Developer: triveni.hebbar      Sourcing Manager: james.burnett  
 Fit Engineer: ccheng

Design: S5MO215433      Sample LO:      Production LO: India  
 Style Material Style Style Description Pattern Base Size Size Scale Fit SMU Type  
 XO4937 2154331 Arlingdale™ L24M3140 M S - XXL Active Style Add  
 Softshell



Component	Details	Placement	Usage	Width	Marker Width	010-Black	039-Columbia Grey	681-Spice
<b>SAP Material Code</b>						2154331010	2154331039	2154331681
<b>SMU Accounts</b>						CSC - INTL	CSC - INTL	CSC - INTL
Shell 1	121277 PFC FREE Version of 032888 - Nexgen Contour Softshell Composite 100% Polyester 100% Polyester 156X132 75 X75 Durable Water Repellent (80/10HL) C0 PFOA/PFOS Free MaterialCoatingNone Adhesive - Dot Matrix 310.0 g/m2 Piece Dye/Jet and Jig NA		1.03 yd	55.0	55	Black, Black	Columbia Grey, Columbia Grey	Spice, Spice
Shell 2	121277 PFC FREE Version of 032888 - Nexgen Contour Softshell Composite 100% Polyester 100% Polyester 156X132 75 X75 Durable Water Repellent (80/10HL) C0 PFOA/PFOS Free MaterialCoatingNone Adhesive - Dot Matrix 310.0 g/m2 Piece Dye/Jet and Jig NA		0.42 yd	55.0	55	Black, Black	Columbia Grey, Columbia Grey	Spice, Spice
Shell 3	119358 PFC Free Version of 064235 Nexgen Precision and Contour Softshell Face Only Twill 100% Polyester 160 X 136 75D/72F X 75D/72F MaterialFinishNone, Durable Water Repellent (80/10HL) C0 PFOA/PFOS Free MaterialCoatingNone MaterialLaminateNone 119.0 g/m2 Piece Dye/Jet NA		0.17 yd	58.0	58	Black	Columbia Grey	Spice

### Color BOM

Line Slot: Arlingdale Softshell	State: Production	Season: S25
Merchandise Division: Outerwear	Merchandise Collection: Exclusive	Product Class: Soft Shell Tops
Designer: so.tauch	Developer: ccheng	LO Developer: triveni.hebbar
Fit Engineer: ccheng		Sourcing Manager: james.burnett
Design: S5MO215433	Sample LO:	Production LO: India
Style: Material Style	Style Description	Pattern
XO4937	2154331	Arlingdale™ Softshell
	Base Size	Size Scale
	M	S - XXL
	Fit	SMU Type
	Active	Style Add



Component	Details	Placement	Usage	Width	Marker Width	010-Black	039-Columbia Grey	681-Spice
<b>SAP Material Code</b>						<b>2154331010</b>	<b>2154331039</b>	<b>2154331681</b>
Lining 1	004476 FOR POCKETING AND YOUTH STYLES ONLY Chamois Touch Tricot Tricot 100% Polyester 28 Anti-pill (face), Brushed (Tech Face) 75.0 g/m2 Piece Dye/Jet NA		0.26 yd	60.0	60	Black	City Grey	Black
Interfacing 1	011958 Interlining Sew-In Non-Woven Lightweight Soft. Recycled version 110671 Interlining 80% Polyester, 20% Viscose 29.0 g/m2		0.165 yd	60.0	60	White	White	White
Bead 1	011001 3mm (fits single dc size 3mm) Small Hard TPU Cordlock Stopper 1 clr CANNOT BE DONE IN CLEAR COLOR White color may have a yellowing issue		1 ea	0.0	0	Black	Columbia Grey	Grill
Direct Embroidery 1	003472 76mm (A) Bug Columbia Logo embroidery 1 clr. Est st ct 1795 Height: 14.0		1 ea	0.0	0	Columbia Grey	Grill	Columbia Grey
Drawcord-Cording-Laces 1	005952 2mm Stretch Strong Drawcord 1 clr		1.36 yd	0.0	0	Black	Columbia Grey	Spice
Drawcord-Cording-Laces 2	008166 1.5mm non stretch drawcord w/ticks 2 clr (ECO version use 082935)		0.78 yd	0.0	0	Black, Grill	Grill, Columbia Grey	Grill, Columbia Grey
Eyelets-Grommets 1	026906 SAME AS 420024 6mm ID Metal Finish Eyelet 1 clr finish. Use 059588 for enamel DTM color.		1 set	0.0	0	Black Nickel Finish	Antique Silver Finish	Black Nickel Finish
Hook 1	460003 3/4in (20mm) Linear Hook/ two side edge 1clr Width: 19.0		0.115 yd	0.0	0	Black	Columbia Grey	Spice
Label Logo 1	059197 USE ONLY FOR ALL ADULTSIZES AND YOUTH S-XL 42mm x 8mm Lightweight Stripe woven ECO Hanger Loop DOWN 2 clr other colors w Director approval only		1 ea	0.0	0	Columbia Grey, Grill	Columbia Grey, Grill	Columbia Grey, Grill



### Color BOM

Line Slot: Arlingdale Softshell	State: Production	Season: S25
Merchandise Division: Outerwear	Merchandise Collection: Exclusive	Product Class: Soft Shell Tops
Designer: so.tauch	Developer: ccheng	LO Developer: triveni.hebbbar
Fit Engineer: ccheng		Sourcing Manager: james.burnett
Design: S5MO215433	Sample LO:	Production LO: India
Style Material Style	Style Description	Pattern
XO4937	2154331	Arlingdale™ Softshell
	Base Size	Size Scale
	M	S - XXL
	Fit	SMU Type
	Active	Style Add



Component	Details	Placement	Usage	Width	Marker Width	010-Black	039-Columbia Grey	681-Spice
<b>SAP Material Code</b>						<b>2154331010</b>	<b>2154331039</b>	<b>2154331681</b>
Loop 1	460004 3/4in (20mm) Linear Loop/two side edge 1clr Width: 19.0		0.258 yd	0.0	0	Black	Columbia Grey	Spice
Thread 1	110529 Coats Astra spun Polyester Tex 30	05112020: updated per Rajesh	40 meter	0.0	0	DTM	DTM	DTM
Thread 2	008214 Coats ASTRA Spun Polyester Tex 27 40/2		450 meter	0.0	0	DTM	DTM	DTM
Toggle 1	031940 4.5mm ID Toggle		1 ea	0.0	0	Black	Columbia Grey	Grill
Washer 1	002614 Plastic Washer (Polyurethane) (use on all Snap Stud and Post or Eyelets if needed) Clear CAN BE USED FOR YOUTH		1 ea	0.0	0	Clear	Clear	Clear
Webbing and Tape 1	360027 3/8 in Grosgrain Tape Poly 1 clr Width: 9.5		0.066 yd	0.0	0	Black	Columbia Grey	Grill
Zipper 1	002673 CNFOL-56 DA8BLH H3 P-TOP REVERSE OpenEnd Left-in AutoLk LargeHole AntSilver Sldr/PI PlasticTopStop RevCoil CAN BE USED FOR CHILDREN Metal content Length: 8.0		1 ea	0.0	0	Black	Columbia Grey	Spice
Zipper 2	003272 CNFC-56 DA8BLH H3 T-B-0 REVERSE Clsd AutoLk LargeHole PI AntSil Sldr/PI NoStop RevCoil Metal content Length: 4.0		2 ea	0.0	0	Black	Columbia Grey	Spice
Zipper 3	003272 CNFC-56 DA8BLH H3 T-B-0 REVERSE Clsd AutoLk LargeHole PI AntSil Sldr/PI NoStop RevCoil Metal content Length: 4.0		1 ea	0.0	0	Black	Columbia Grey	Spice
Label 1	059200 40mm CSC International Size Extended Woven ECO Loop Label for use with Hanger Loop		1 ea	0.0	0	White, Columbia Grey, Compass Blue	White, Columbia Grey, Compass Blue	White, Columbia Grey, Compass Blue
Label 2	006564 33mm Care Content ECO Booklet Fold label with fully translated country of origin WHT/BLK for most, BLK/WHT for Titanium only, GRY/BLK is for Garment DYE ONLY-waiting on updated artwork		1 ea	0.0	0	White, Black	White, Black	White, Black

### Color BOM

Line Slot: Arlingdale Softshell		State: Production		Season: S25			
Merchandise Division: Outerwear	Merchandise Collection: Exclusive	Product Class: Soft Shell Tops					
Designer: so.tauch	Developer: ccheng	LO Developer: triveni.hebbbar		Sourcing Manager: james.burnett			
Fit Engineer: ccheng							
Design: S5MO215433	Sample LO:	Production LO: India					
Style XO4937	Material Style 2154331	Style Description Arlingdale™ Softshell	Pattern L24M3140	Base Size M	Size Scale S - XXL	Fit Active	SMU Type Style Add



Component	Details	Placement	Usage	Width	Marker Width	010-Black	039-Columbia Grey	681-Spice
<b>SAP Material Code</b>						<b>2154331010</b>	<b>2154331039</b>	<b>2154331681</b>
Hangtag Package Part	126966 Active Fit Swing Tag		1 ea	0.0	0	Artwork	Artwork	Artwork
Hangtag Package Part	097038 Columbia Omni-Shield Hangtag		1 ea	0.0	0	Artwork	Artwork	Artwork
Hangtag Package Part	121612 MSRP/UPC with RFID Specs for MSRP. Please refer to VAS specs for any exceptions. MSRP required on all product shipping to the US.		1 ea	0.0	0	Artwork	Artwork	Artwork
Packaging 1	064194 Outer Carton for costing purpose only		1 ea	0.0	0	Stock	Stock	Stock
Packaging 2	980001 Polybag See Standard CCS 4200 for specifications		1 ea	0.0	0	Stock	Stock	Stock
Packaging 3	980010 UPC Bag Sticker Generic (MHW/Columbia) See CCS4400/ 4401 and MHW4402 for Mt Hardware for instructions		1 ea	0.0	0	Artwork	Artwork	Artwork

This is confidential and proprietary information of Columbia Sportswear Company. You agree that you will not disclose this information to any third party or use it for any purpose other than on behalf of Columbia. You have no right to use Columbia's name or any of its trademarks, trade names, copyrights, patents, designs or other intellectual property except as set forth in writing by Columbia.

## Colorless BOM

Line Slot: Arlingdale Softshell      State: Production      Season: S25  
 Merchandise Division: Outerwear      Merchandise Collection: Exclusive      Product Class: Soft Shell Tops  
 Designer: so.tauch      Developer: ccheng      LO Developer: triveni.hebbar      Sourcing Manager: james.burnett  
 Fit Engineer: ccheng

Design: S5MO21543      Sample LO: 3      Production LO: India

Style	Material Style	Style Description	Pattern	Base Size	Size Scale	Fit	SMU Type
XO4937	2154331	Arlingdale™ Softshell	L24M3140	M	S - XXL	Active	Style Add



Component	Details	Placement	Usage	Width	Marker Width
<b>SAP Material Code</b>					
Shell 1	121277 PFC FREE Version of 032888 - Nexgen Contour Softshell Composite 100% Polyester 100% Polyester 156X132 75 X75 Durable Water Repellent (80/10HL) C0 PFOA/PFOS Free MaterialCoatingNone Adhesive - Dot Matrix 310.0 g/m2 Piece Dye/Jet and Jig NA		1.03 yd	55.0	55
Shell 2	121277 PFC FREE Version of 032888 - Nexgen Contour Softshell Composite 100% Polyester 100% Polyester 156X132 75 X75 Durable Water Repellent (80/10HL) C0 PFOA/PFOS Free MaterialCoatingNone Adhesive - Dot Matrix 310.0 g/m2 Piece Dye/Jet and Jig NA		0.42 yd	55.0	55
Shell 3	119358 PFC Free Version of 064235 Nexgen Precision and Contour Softshell Face Only Twill 100% Polyester 160 X 136 75D/72F X 75D/72F MaterialFinishNone, Durable Water Repellent (80/10HL) C0 PFOA/PFOS Free MaterialCoatingNone MaterialLaminateNone 119.0 g/m2 Piece Dye/Jet NA		0.17 yd	58.0	58
Lining 1	004476 FOR POCKETING AND YOUTH STYLES ONLY Chamois Touch Tricot Tricot 100% Polyester 28 Anti-pill (face), Brushed (Tech Face) 75.0 g/m2 Piece Dye/Jet NA		0.26 yd	60.0	60
Interfacing 1	011958 Interlining Sew-In Non-Woven Lightweight Soft. Recycled version 110671 Interlining 80% Polyester, 20% Viscose 29.0 g/m2		0.165 yd	60.0	60
Bead 1	011001 3mm (fits single dc size 3mm) Small Hard TPU Cordlock Stopper 1 clr CANNOT BE DONE IN CLEAR COLOR White color may have a yellowing issue		1 ea	0.0	0

## Colorless BOM

Line Slot: Arlingdale Softshell      State: Production      Season: S25  
 Merchandise Division: Outerwear      Merchandise Collection: Exclusive      Product Class: Soft Shell Tops  
 Designer: so.tauch      Developer: ccheng      LO Developer: triveni.hebbar      Sourcing Manager: james.burnett  
 Fit Engineer: ccheng

Design: S5MO21543      Sample LO: 3      Production LO: India

Style	Material Style	Style Description	Pattern	Base Size	Size Scale	Fit	SMU Type
XO4937	2154331	Arlingdale™ Softshell	L24M3140	M	S - XXL	Active	Style Add



Component	Details	Placement	Usage	Width	Marker Width
<b>SAP Material Code</b>					
Direct Embroidery 1	003472 76mm (A) Bug Columbia Logo embroidery 1 clr. Est st ct 1795 Height: 14.0		1 ea	0.0	0
Drawcord-Cording-Laces 1	005952 2mm Stretch Strong Drawcord 1 clr		1.36 yd	0.0	0
Drawcord-Cording-Laces 2	008166 1.5mm non stretch drawcord w/ticks 2 clr (ECO version use 082935)		0.78 yd	0.0	0
Eyelets-Grommets 1	026906 SAME AS 420024 6mm ID Metal Finish Eyelet 1 clr finish. Use 059588 for enamel DTM color.		1 set	0.0	0
Hook 1	460003 3/4in (20mm) Linear Hook/ two side edge 1clr Width: 19.0		0.115 yd	0.0	0
Label Logo 1	059197 USE ONLY FOR ALL ADULT sizes AND YOUTH S-XL 42mm x 8mm Lightweight Stripe woven ECO Hanger Loop DOWN 2 clr other colors w Director approval only		1 ea	0.0	0
Loop 1	460004 3/4in (20mm) Linear Loop/two side edge 1clr Width: 19.0		0.258 yd	0.0	0
Thread 1	110529 Coats Astra spun Polyester Tex 30	05112020: updated per Rajesh	40 meter	0.0	0
Thread 2	008214 Coats ASTRA Spun Polyester Tex 27 40/2		450 meter	0.0	0
Toggle 1	031940 4.5mm ID Toggle		1 ea	0.0	0
Washer 1	002614 Plastic Washer (Polyurethane) (use on all Snap Stud and Post or Eyelets if needed) Clear CAN BE USED FOR YOUTH		1 ea	0.0	0
Webbing and Tape 1	360027 3/8 in Grosgrain Tape Poly 1 clr Width: 9.5		0.066 yd	0.0	0
Zipper 1	002673 CNFOL-56 DA8BLH H3 P-TOP REVERSE OpenEnd Left-in AutoLk LargeHole AntSilver Sldr/PI PlasticTopStop RevCoil CAN BE USED FOR CHILDREN Metal content Length: 8.0		1 ea	0.0	0
Zipper 2	003272 CNFC-56 DA8BLH H3 T-B-0 REVERSE Clsd AutoLk LargeHole PI AntSil Sldr/PI NoStop RevCoil Metal content Length: 4.0		2 ea	0.0	0
Zipper 3	003272 CNFC-56 DA8BLH H3 T-B-0 REVERSE Clsd AutoLk LargeHole PI AntSil Sldr/PI NoStop RevCoil Metal content Length: 4.0		1 ea	0.0	0
Label 1	059200 40mm CSC International Size Extended Woven ECO Loop Label for use with Hanger Loop		1 ea	0.0	0
Label 2	006564 33mm Care Content ECO Booklet Fold label with fully translated country of origin WHT/BLK for most, BLK/WHT for Titanium only, GRY/BLK is for Garment DYE ONLY- waiting on updated artwork		1 ea	0.0	0

### Colorless BOM



Line Slot: Arlingdale Softshell      State: Production      Season: S25  
 Merchandise Division: Outerwear      Merchandise Collection: Exclusive      Product Class: Soft Shell Tops  
 Designer: so.tauch      Developer: ccheng      LO Developer: triveni.hebbar      Sourcing Manager: james.burnett  
 Fit Engineer: ccheng

Design: S5MO21543      Sample LO: 3      Production LO: India

Style	Material Style	Style Description	Pattern	Base Size	Size Scale	Fit	SMU Type
XO4937	2154331	Arlingdale™ Softshell	L24M3140	M	S - XXL	Active	Style Add

Component	Details	Placement	Usage	Width	Marker Width
<b>SAP Material Code</b>					
Hangtag Package Part	126966 Active Fit Swing Tag		1 ea	0.0	0
Hangtag Package Part	097038 Columbia Omni-Shield Hangtag		1 ea	0.0	0
Hangtag Package Part	121612 MSRP/UPC with RFID Specs for MSRP. Please refer to VAS specs for any exceptions. MSRP required on all product shipping to the US.		1 ea	0.0	0
Packaging 1	064194 Outer Carton for costing purpose only		1 ea	0.0	0
Packaging 2	980001 Polybag See Standard CCS 4200 for specifications		1 ea	0.0	0
Packaging 3	980010 UPC Bag Sticker Generic (MHW/Columbia) See CCS4400/ 4401 and MHW4402 for Mt Hardware for instructions		1 ea	0.0	0

This is confidential and proprietary information of Columbia Sportswear Company. You agree that you will not disclose this information to any third party or use it for any purpose other than on behalf of Columbia. You have no right to use Columbia's name or any of its trademarks, trade names, copyrights, patents, designs or other intellectual property except as set forth in writing by Columbia.

## Color Specification

Line Slot: Arlingdale Softshell	State: Production	Season: S25	
Merchandise Division: Outerwear	Merchandise Collection: Exclusive	Product Class: Soft Shell Tops	
Designer: so.tauch	Developer: ccheng	LO Developer: triveni.hebbbar	Sourcing Manager: james.burnett
Fit Engineer: ccheng			
Design: S5MO215433	Sample LO:	Production LO: India	
Style Material Style	Style Description	Pattern	Base Size
XO4937	2154331	Arlingdale™ Softshell	L24M3140
			M
			S - XXL
			Fit Active
			SMU Type Style Add



Component - Material	010-Black	039-Columbia Grey	681-Spice
Shell 1 - 121277	Black, Black	Columbia Grey, Columbia Grey	Spice, Spice
Shell 2 - 121277			
Shell 3 - 119358	Black	Columbia Grey	Spice
Drawcord-Cording-Laces 1 - 005952			
Hook 1 - 460003			
Loop 1 - 460004			
Zipper 1 - 002673			
Zipper 2 - 003272			
Zipper 3 - 003272			
Lining 1 - 004476	Black	City Grey	Black
Interfacing 1 - 011958	White	White	White
Bead 1 - 011001	Black	Columbia Grey	Grill
Toggle 1 - 031940			
Webbing and Tape 1 - 360027			
Direct Embroidery 1 - 003472	Columbia Grey	Grill	Columbia Grey
Drawcord-Cording-Laces 2 - 008166	Black, Grill	Grill, Columbia Grey	Grill, Columbia Grey
Eyelets-Grommets 1 - 026906	Black Nickel Finish	Antique Silver Finish	Black Nickel Finish
Label Logo 1 - 059197	Columbia Grey, Grill	Columbia Grey, Grill	Columbia Grey, Grill
Thread 1 - 110529	DTM	DTM	DTM
Thread 2 - 008214			
Washer 1 - 002614	Clear	Clear	Clear
Label 1 - 059200	White, Columbia Grey, Compass Blue	White, Columbia Grey, Compass Blue	White, Columbia Grey, Compass Blue
Label 2 - 006564	White, Black	White, Black	White, Black
Hangtag Package Part - 126966	Artwork	Artwork	Artwork
Hangtag Package Part - 097038			
Hangtag Package Part - 121612			
Packaging 3 - 980010			
Packaging 1 - 064194	Stock	Stock	Stock
Packaging 2 - 980001			

This is confidential and proprietary information of Columbia Sportswear Company. You agree that you will not disclose this information to any third party or use it for any purpose other than on behalf of Columbia. You have no right to use Columbia's name or any of its trademarks, trade names, copyrights, patents, designs or other intellectual property except as set forth in writing by Columbia.

### Costing BOM

Line Slot: Arlingdale Softshell      State: Production      Season: S25  
 Merchandise Division: Outerwear      Merchandise Collection: Exclusive      Product Class: Soft Shell Tops  
 Designer: so.tauch      Developer: ccheng      LO Developer: triveni.hebbbar      Sourcing Manager: james.burnett  
 Fit Engineer: ccheng

Design: S5MO215433      Sample LO:      Production LO: India  
 Style Material Style Style Description Pattern Base Size Size Scale Fit SMU Type  
 XO4937 2154331 Arlingdale™ L24M3140 M S - XXL Active Style Add  
 Softshell



Colorway Number	Color Way	FOB Material	CIF Material	FOB Trim	CIF Trim	Allowance %	Total FOB	Total CIF
010	Black	7.182	0.000	1.789	0.135	0.0	8.971	0.135
039	Columbia Grey	7.182	0.000	1.789	0.135	0.0	8.971	0.135
681	Spice	7.182	0.000	1.789	0.135	0.0	8.971	0.135

### Costing BOM

Line Slot: Arlingdale Softshell	State: Production	Season: S25					
Merchandise Division: Outerwear	Merchandise Collection: Exclusive	Product Class: Soft Shell Tops					
Designer: so.tauch	Developer: ccheng	LO Developer: triveni.hebbbar					
Fit Engineer: ccheng		Sourcing Manager: james.burnett					
Design: S5MO215433	Sample LO:	Production LO: India					
Style XO4937	Material Style 2154331	Style Description Arlingdale™ Softshell	Pattern L24M3140	Base Size M	Size Scale S - XXL	Fit Active	SMU Type Style Add



Component	Material	Description	Fabric Width	Supplier	Locked	Country of Origin	Managin g Liaison Office	UoM	Target Cost	FOB Unit Cost	CIF Unit Cost	Usage	Wastage %	Total FOB	Total CIF
Shell 1	121277	PFC FREE Version of 032888 - Nexgen Contour Softshell	55.0	Jiaxing Deyong Textiles Co Ltd (JDT)	N	China	Taiwan- Taipei	yd	4.5	4.43	<b>0.0</b>	1.030	3	4.700	<b>0.000</b>
Shell 2	121277	PFC FREE Version of 032888 - Nexgen Contour Softshell	55.0	Jiaxing Deyong Textiles Co Ltd (JDT)	N	China	Taiwan- Taipei	yd	4.5	4.43	<b>0.0</b>	0.420	3	1.916	<b>0.000</b>
Shell 3	119358	PFC Free Version of 064235 Nexgen Precision and Contour Softshell Face Only	58.0	Apex Textile Co. Ltd.	N	China	Taiwan- Taipei	yd	0.0	1.94	<b>0.0</b>	0.170	5	0.346	<b>0.000</b>



### Costing BOM

Line Slot: Arlingdale Softshell      State: Production      Season: S25  
 Merchandise Division: Outerwear      Merchandise Collection: Exclusive      Product Class: Soft Shell Tops  
 Designer: so.tauch      Developer: ccheng      LO Developer: triveni.hebbbar      Sourcing Manager: james.burnett  
 Fit Engineer: ccheng

Design: S5MO215433      Sample LO:      Production LO: India  
 Style Material Style Style Description Pattern Base Size Size Scale Fit SMU Type  
 XO4937 2154331 Arlingdale™ L24M3140 M S - XXL Active Style Add



Component	Material	Description	Fabric Width	Supplier	Locked	Country of Origin	Managin g Liaison Office	UoM	Target Cost	FOB Unit Cost	CIF Unit Cost	Usage	Wastage %	Total FOB	Total CIF
Lining 1	004476	FOR POCKETING AND YOUTH STYLES ONLY Chamois Touch Tricot	60.0	Huge-Bamboo Enterprise Co., Ltd.	N	Vietnam	Taiwan-Taipei	yd	0.0	0.65	0.0	0.260	7	0.181	0.000
Interfacing 1	011958	Interlining Sew-In Non-Woven Lightweight Soft. Recycled version 110671	60.0	PCC asia LLC	N	China	India	yd	0.0	0.23	0.0	0.165	3	0.039	0.000
Bead 1	011001	3mm (fits single dc size 3mm) Small Hard TPU Cordlock Stopper 1 clr CANNOT BE DONE IN CLEAR COLOR White color may have a yellowing issue	0.0	Unitex International Button Accessories Ltd	N	China	Portland	ea	0.0	0.034	0.0322	1.000	2.0	0.035	0.033

### Costing BOM

Line Slot: Arlingdale Softshell		State: Production		Season: S25	
Merchandise Division: Outerwear		Merchandise Collection: Exclusive		Product Class: Soft Shell Tops	
Designer: so.tauch		Developer: ccheng		LO Developer: triveni.hebbbar	
Fit Engineer: ccheng				Sourcing Manager: james.burnett	
Design: S5MO215433		Sample LO:		Production LO: India	
Style Material Style		Style Description Pattern		Base Size Size Scale	
XO4937 2154331		Arlingdale™ Softshell L24M3140		M S - XXL	
				Fit Active	
				SMU Type Style Add	



Component	Material	Description	Fabric Width	Supplier	Locked	Country of Origin	Managing Liaison Office	UoM	Target Cost	FOB Unit Cost	CIF Unit Cost	Usage	Wastage %	Total FOB	Total CIF
Direct Embroidery 1	003472	76mm (A) Bug Columbia Logo embroidery 1 clr. Est st ct 1795	0.0	Contractor	N	unassigned	Hong Kong	ea	0.0	0.0	0.0	1.000	2.0	0.000	0.000
Drawcord-Cording-Laces 1	005952	2mm Stretch Strong Drawcord 1 clr	0.0	Paiho Global	N	Taiwan	Taiwan-Taipei	yd	0.0	0.073	0.0	1.360	7.0	0.106	0.000
Drawcord-Cording-Laces 2	008166	1.5mm non stretch drawcord w/ticks 2 clr (ECO version use 082935)	0.0	Paiho Global	N	Taiwan	Taiwan-Taipei	yd	0.0	0.049	0.0	0.780	7.0	0.041	0.000
Eyelets-Grommets 1	026906	SAME AS 420024 6mm ID Metal Finish Eyelet 1 clr finish. Use 059588 for enamel DTM color.	0.0	Unitex International Button Accessories Ltd	N	China	Portland	set	0.01	0.0129	0.0	1.000	3.0	0.013	0.000

### Costing BOM

Line Slot: Arlingdale Softshell  
 Merchandise Division: Outerwear  
 Designer: so.tauch  
 Fit Engineer: ccheng

Merchandise Collection: Exclusive  
 Developer: ccheng

State: Production  
 Product Class: Soft Shell Tops  
 LO Developer: triveni.hebbbar

Season: S25  
 Sourcing Manager: james.burnett



Design: S5MO215433  
 Style Material Style  
 XO4937 2154331

Sample LO:  
 Style Description Pattern  
 Arlingdale™  
 Softshell L24M3140

Production LO: India  
 Base Size Size Scale  
 M S - XXL

Fit SMU Type  
 Active Style Add

Component	Material	Description	Fabric Width	Supplier	Locked	Country of Origin	Managing Liaison Office	UoM	Target Cost	FOB Unit Cost	CIF Unit Cost	Usage	Wastage %	Total FOB	Total CIF
Hook 1	460003	3/4in (20mm) Linear Hook/ two side edge 1clr	0.0	Paiho Global	N	Taiwan	Taiwan-Taipei	yd	0.0	0.153	0.0	0.115	5.0	0.018	0.000
Label Logo 1	059197	USE ONLY FOR ALL ADULTSIZES AND YOUTH S-XL 42mm x 8mm Lightweight Stripe woven ECO Hanger Loop DOWN 2 clr other colors w Director approval only	0.0	Avery Dennison Global	N	China	Portland	ea	0.0	0.024	0.0	1.000	5.0	0.025	0.000
Loop 1	460004	3/4in (20mm) Linear Loop/two side edge 1clr	0.0	Paiho Global	N	Taiwan	Taiwan-Taipei	yd	0.0	0.153	0.0	0.258	5.0	0.041	0.000
Thread 1	110529	Coats Astra spun Polyester Tex 30	0.0	Coats Global Thread	N	unassigned	Portland	meter	0.0	0.00048	0.0	40.000	5.0	0.020	0.000

### Costing BOM

Line Slot: Arlingdale Softshell		State: Production		Season: S25			
Merchandise Division: Outerwear	Merchandise Collection: Exclusive	Product Class: Soft Shell Tops					
Designer: so.tauch	Developer: ccheng	LO Developer: triveni.hebbar		Sourcing Manager: james.burnett			
Fit Engineer: ccheng							
Design: S5MO215433	Sample LO:	Production LO: India					
Style XO4937	Material Style 2154331	Style Description Arlingdale™ Softshell	Pattern L24M3140	Base Size M	Size Scale S - XXL	Fit Active	SMU Type Style Add



Component	Material	Description	Fabric Width	Supplier	Locked	Country of Origin	Managing Liaison Office	UoM	Target Cost	FOB Unit Cost	CIF Unit Cost	Usage	Wastage %	Total FOB	Total CIF
Thread 2	008214	Coats ASTRA Spun Polyester Tex 27 40/2	0.0	Coats Global Thread	N	unassigned	Portland	meter	0.0	0.0003	0.0	450.000	5.0	0.142	0.000
Toggle 1	031940	4.5mm ID Toggle	0.0	Nifco Taiwan Corporation	N	Taiwan	Taiwan-Taipei	ea	0.0	0.067	0.1	1.000	2.0	0.068	0.102
Washer 1	002614	Plastic Washer (Polyurethane) (use on all Snap Stud and Post or Eyelets if needed) Clear CAN BE USED FOR YOUTH	0.0	Unitex International Button Accessories Ltd	N	China	Portland	ea	0.0	0.0057	0.0	1.000	3.0	0.006	0.000
Webbing and Tape 1	360027	3/8 in Grosgrain Tape Poly 1 clr	0.0	Paiho Global	N	Taiwan	Taiwan-Taipei	yd	0.0	0.068	0.0	0.066	7.0	0.005	0.000

### Costing BOM

Line Slot: Arlingdale Softshell		State: Production		Season: S25			
Merchandise Division: Outerwear	Merchandise Collection: Exclusive	Product Class: Soft Shell Tops					
Designer: so.tauch	Developer: ccheng	LO Developer: triveni.hebbbar		Sourcing Manager: james.burnett			
Fit Engineer: ccheng							
Design: S5MO215433	Sample LO:	Production LO: India					
Style XO4937	Material Style 2154331	Style Description Arlingdale™ Softshell	Pattern L24M3140	Base Size M	Size Scale S - XXL	Fit Active	SMU Type Style Add



Component	Material	Description	Fabric Width	Supplier	Locked	Country of Origin	Managing Liaison Office	UoM	Target Cost	FOB Unit Cost	CIF Unit Cost	Usage	Wastage %	Total FOB	Total CIF
Zipper 1	002673	CNFOL-56 DA8BLH H3 P- TOP REVERSE OpenEnd Left-in AutoLk LargeHole AntSilver Sldr/Pl PlasticTopStop RevCoil CAN BE USED FOR CHILDREN Metal content	0.0	YKK Global	N	Taiwan	Portland	ea	0.0	0.2751	0.0	1.000	1.0	0.402	0.000
Zipper 2	003272	CNFC-56 DA8BLH H3 T-B- 0 REVERSE Clsd AutoLk LargeHole Pl AntSil Sldr/Pl NoStop RevCoil Metal content	0.0	YKK Global	N	Taiwan	Portland	ea	0.0	0.1967	0.0	2.000	1.0	0.457	0.000

### Costing BOM

Line Slot: Arlingdale Softshell      State: Production      Season: S25  
 Merchandise Division: Outerwear      Merchandise Collection: Exclusive      Product Class: Soft Shell Tops  
 Designer: so.tauch      Developer: ccheng      LO Developer: triveni.hebbar      Sourcing Manager: james.burnett  
 Fit Engineer: ccheng

Design: S5MO215433      Sample LO:      Production LO: India  
 Style Material Style      Style Description      Pattern      Base Size      Size Scale      Fit      SMU Type  
 XO4937      2154331      Arlingdale™ Softshell      L24M3140      M      S - XXL      Active      Style Add



Component	Material	Description	Fabric Width	Supplier	Locked	Country of Origin	Managin g Liaison Office	UoM	Target Cost	FOB Unit Cost	CIF Unit Cost	Usage	Wastage %	Total FOB	Total CIF
Zipper 3	003272	CNFC-56 DA8BLH H3 T-B- 0 REVERSE Clsd AutoLk LargeHole PI AntSil Sldr/PI NoStop RevCoil Metal content	0.0	YKK Global	N	Taiwan	Portland	ea	0.0	0.1967	0.0	1.000	1.0	0.220	0.000
Label 1	059200	40mm CSC International Size Extended Woven ECO Loop Label for use with Hanger Loop	0.0	Avery Dennison Global	N	China	Portland	ea	0.0	0.05772	0.0	1.000	3.0	0.059	0.000

### Costing BOM

Line Slot: Arlingdale Softshell      State: Production      Season: S25  
 Merchandise Division: Outerwear      Merchandise Collection: Exclusive      Product Class: Soft Shell Tops  
 Designer: so.tauch      Developer: ccheng      LO Developer: triveni.hebbar      Sourcing Manager: james.burnett  
 Fit Engineer: ccheng

Design: S5MO215433      Sample LO:      Production LO: India  
 Style Material Style      Style Description      Pattern      Base Size      Size Scale      Fit      SMU Type  
 XO4937      2154331      Arlingdale™ Softshell      L24M3140      M      S - XXL      Active      Style Add



Component	Material	Description	Fabric Width	Supplier	Locked	Country of Origin	Managing Liaison Office	UoM	Target Cost	FOB Unit Cost	CIF Unit Cost	Usage	Wastage %	Total FOB	Total CIF
Label 2	006564	33mm Care Content ECO Booklet Fold label with fully translated country of origin WHT/BLK for most, BLK/WHT for Titanium only, GRY/BLK is for Garment DYE ONLY- waiting on updated artwork	0.0	Avery Dennison Global	N	China	Portland	ea	0.0	0.016	0.0	1.000	3.0	0.016	0.000
Hangtag Package Part	126966	Active Fit Swing Tag	0.0	Hang Sang Press Co. Ltd	N	unassigned	Portland	ea	0.0	0.023	0.0	1.000	3.0	0.024	0.000
Hangtag Package Part	097038	Columbia Omni-Shield Hangtag	0.0	Hang Sang Press Co. Ltd	N	unassigned	Portland	ea	0.0	0.0273	0.0	1.000	3.0	0.028	0.000

### Costing BOM

Line Slot: Arlingdale Softshell		State: Production		Season: S25	
Merchandise Division: Outerwear	Merchandise Collection: Exclusive	Product Class: Soft Shell Tops			
Designer: so.tauch	Developer: ccheng	LO Developer: triveni.hebbbar		Sourcing Manager: james.burnett	
Fit Engineer: ccheng					
Design: S5MO215433	Sample LO:	Production LO: India			
Style Material Style	Style Description	Pattern	Base Size	Size Scale	Fit
XO4937	2154331	Arlingdale™ Softshell	L24M3140	M	S - XXL
					Active
					SMU Type
					Style Add



Component	Material	Description	Fabric Width	Supplier	Locked	Country of Origin	Managing Liaison Office	UoM	Target Cost	FOB Unit Cost	CIF Unit Cost	Usage	Wastage %	Total FOB	Total CIF
Hangtag Package Part	121612	MSRP/UPC with RFID Specs for MSRP. Please refer to VAS specs for any exceptions. MSRP required on all product shipping to the US.	0.0	Avery Dennison Global	N	unassigned	Portland	ea	0.0	0.04875	0.0	1.000	5.0	0.051	0.000
Packaging 1	064194	Outer Carton for costing purpose only	0.0	Contractor	N	unassigned	Hong Kong	ea	0.0	0.0	0.0	1.000	3.0	0.000	0.000
Packaging 2	980001	Polybag See Standard CCS 4200 for specifications	0.0	Contractor	N	unassigned	Hong Kong	ea	0.0	0.0	0.0	1.000	3.0	0.000	0.000



### Costing BOM

Line Slot: Arlingdale Softshell		State: Production		Season: S25			
Merchandise Division: Outerwear	Merchandise Collection: Exclusive	Product Class: Soft Shell Tops					
Designer: so.tauch	Developer: ccheng	LO Developer: triveni.hebbbar		Sourcing Manager: james.burnett			
Fit Engineer: ccheng							
Design: S5MO215433	Sample LO:	Production LO: India					
Style XO4937	Material Style 2154331	Style Description Arlingdale™ Softshell	Pattern L24M3140	Base Size M	Size Scale S - XXL	Fit Active	SMU Type Style Add



Component	Material	Description	Fabric Width	Supplier	Locked	Country of Origin	Managing Liaison Office	UoM	Target Cost	FOB Unit Cost	CIF Unit Cost	Usage	Wastage %	Total FOB	Total CIF
Packaging 3	980010	UPC Bag Sticker Generic (MHW/Columbia) See CCS4400/ 4401 and MHW4402 for Mt Hardware for instructions	0.0	Bao Shen (Apparel)	N	unassigned	Portland	ea	0.0	0.011	0.0	1.000	5.0	0.012	0.000

### Costing BOM

Line Slot: Arlingdale Softshell		State: Production		Season: S25			
Merchandise Division: Outerwear		Merchandise Collection: Exclusive		Product Class: Soft Shell Tops			
Designer: so.tauch		Developer: ccheng		LO Developer: triveni.hebbar			
Fit Engineer: ccheng				Sourcing Manager: james.burnett			
Design:	S5MO215433	Sample LO:		Production LO:	India		
Style	Material Style	Style Description	Pattern	Base Size	Size Scale	Fit	SMU Type
XO4937	2154331	Arlingdale™ Softshell	L24M3140	M	S - XXL	Active	Style Add



This is confidential and proprietary information of Columbia Sportswear Company. You agree that you will not disclose this information to any third party or use it for any purpose other than on behalf of Columbia. You have no right to use Columbia's name or any of its trademarks, trade names, copyrights, patents, designs or other intellectual property except as set forth in writing by Columbia.

### Instructions

Line Slot: Arlingdale Softshell      State: Production      Season: S25

Merchandise Division: Outerwear      Merchandise Collection: Exclusive      Product Class: Soft Shell Tops

Designer: so.tauch      Developer: ccheng      LO Developer: triveni.hebbbar      Sourcing Manager: james.burnett

Fit Engineer: ccheng

Design: S5MO21543      Sample LO:      Production LO: India

Style	Material Style	Style Description	Pattern	Base Size	Size Scale	Fit	SMU Type
XO4937	2154331	Arlingdale™ Softshell	L24M3140	M	S - XXL	Active	Style Add



Category	Subcategory	Description	Comments
CONSTRUCTION	2/NEEDLE OVEREDGE	4-SPOOL, 3/8 IN SEAM ALLOWANCE (NO TRIM). 10/12 STITCHES PER INCH FOR OUTERWEAR, HUNTING AND FISHING. APPLY TO ALL SEAMS THAT MAY RAVEL.(ISO#514)	
MISCELLANEOUS	EMBROIDERY	USE LIGHT WEIGHT TEAR AWAY INTERFACING FOR EMBROIDERY BACKING – UP TO 2 LAYERS AS NEEDED FOR REINFORCEMENT PREFERRED VENDOR IS FREUDENBERG ITEM #AO151 BASIC TEAR AWAY BACKING 36g/m2 LIGHT 0.28/m @ 100cm WIDE	
	PHEMOS	MHW 1602 SLIP KNOT TIE METHOD - PLACEMENT:	AS PHEMO; DRAWCORD/CORDING/LACES 2: (1) CF Zipper, (2) Lower Pocket Zippers, (1) Chest Pocket Zipper
BARTACKS	BARTACK FUNCTIONAL	5/8 INCH IN LENGTH	(2) CF, (4/2) Cuff Tabs (hidden), (6/2) Pocket Zippers, (1) Hem Toggle tethers

This is confidential and proprietary information of Columbia Sportswear Company. You agree that you will not disclose this information to any third party or use it for any purpose other than on behalf of Columbia. You have no right to use Columbia's name or any of its trademarks, trade names, copyrights, patents, designs or other intellectual property except as set forth in writing by Columbia.

## Care Report

Line Slot: Arlingdale Softshell		State: Production		Season: S25			
Merchandise Division: Outerwear		Merchandise Collection: Exclusive		Product Class: Soft Shell Tops			
Designer: so.tauch		Developer: ccheng		LO Developer: triveni.hebbar			
Fit Engineer: ccheng				Sourcing Manager: james.burnett			
Design:	S5MO215433	Sample LO:		Production LO:	India		
Style	Material Style	Style Description	Pattern	Base Size	Size Scale	Fit	SMU Type
XO4937	2154331	Arlingdale™ Softshell	L24M3140	M	S - XXL	Active	Style Add



Care Code: 2012		Color Way Number	Color Way Name
<b>English</b>	Machine Wash Cold, Wash Separately, Do Not Bleach, Tumble Dry Low, Do Not Iron, Do Not Use Fabric Softener, Do Not Dryclean		
<b>French</b>	Lavage machine à froid, Laver séparément, Ne pas utiliser d'eau de javel, Séchage machine, basse température, Ne pas repasser, Ne pas utiliser d'assouplissant, Nettoyage à sec interdit	010	Black
<b>German</b>	Maschinenwäsche kalt, Separat waschen, Keine Bleichmittel verwenden, Trocknen im Wäschetrockner bei niedriger Temperatur, Nicht bügeln, Keine Weichspüler verwenden, Nicht chemisch reinigen	039	Columbia Grey
<b>Portuguese</b>	Lavar à maquina com água fria, Lavar separadamente, Não alvejar, Secar à máquina em temperatura baixa, Não passar a ferro, Não usar amaciante, Não utilizar limpeza a seco	681	Spice
<b>Spanish</b>	Lavar a máquina con agua fría, Lavar por separado, No usar lejía, Usar secadora a temperatura baja, No planchar, No usar suavizante de telas, No lavar en seco		
<b>Italian</b>	Lavare in lavatrice in acqua fredda, Lavare separatamente, Non candeggiare, Asciugare a tamburo a bassa temperatura, Non stirare, Non utilizzare ammorbidente, Non lavare a secco		
<b>Russian</b>	Машинная стирка в холодной воде, Стирать отдельно, Не отбеливать, Сушить при низкой температуре, Не гладить, Не использовать кондиционер для тканей, Химчистка запрещена		
<b>Czech Republic</b>	Praní v pračce při nízké teplotě, Prát samostatně, Nebělit, Sušení v sušičce, nízká teplota, Nežehlit, Nepoužívat aviváž, Nečistit chemicky		
<b>Hebrew</b>	כביסה במכונה במים קרים, לכבס בנפרד, לא להלבין, לייבש במייבש כביסה בחום נמוך, לא לגהץ, לא להשתמש במרכז כביסה, לא לנקות בניקוי יבש		
<b>Hungarian</b>	Géppel mossa, hideg vízzel, Különválasztva mossa, Ne használjon fehérítőt, Szárítógépben alacsony hőfokon szárítsa, Ne vasalja, Ne használjon öblítőszeret, Ne vegytisztítsa		
<b>Polish</b>	Prac w temperaturze nie przekraczającej 30°C, Prac oddzielnie, Nie chlorować, Można suszyć bębnowo, niska temperatura, Nie prasować, Nie używać zmiękczacza do tkanin, Nie czyścić chemicznie		
<b>Portuguese Brazil</b>	Lavar à maquina com água fria, Lavar separadamente, Não alvejar, Secar em tambor rotativo em temperatura baixa, Não passar a ferro, Não usar amaciante, Não utilizar limpeza a seco		
<b>Slovakian</b>	Perte v pračce v studenej vode, Perte oddelene, Neodfarbujte, Sušte v bubnovej sušičke pri nízkych otáčkach, Nežehlite, Nepoužívajte avivážne prípravky, Nečistite chemicky		
<b>Slovenian</b>	Mrzlo strojno pranje, Prati posebej, Ne belite, Nizko strojno sušenje, Ne likati, Ne uporabljati mehčalca, Ne suho čistiti		
<b>Spanish Latin American</b>	Lavar a máquina con agua fría, Lavar por separado, No usar blanqueador, Usar secadora a temperatura baja, No planchar, No usar suavizante de telas, No lavar en seco		
<b>Turkish</b>	Makinada Yıkandır, Soğuk, Ayrı Yıkayın, Ağartıcı Kullanmayın, Tambur Kurutma, Düşük, Ütülemeyin, Çamaşır Yumuşatıcısı Kullanmayın, Kuru Temizleme Yapmayın		
<b>Chinese Simplified</b>	冷水机洗, 分开洗涤, 请勿漂白, 低温滚筒烘干, 请勿熨烫, 请勿使用织物柔软剂, 请勿干洗		
<b>Chinese Traditional</b>	冷水機洗, 分開洗滌, 請勿漂白, 低溫滾筒烘乾, 請勿熨燙, 請勿使用織物柔軟劑, 請勿乾洗		
<b>Japanese</b>	洗濯機水洗い, 個別に洗濯してください, 漂白剤使用不可, 乾燥機使用可 (低温), アイロン使用不可, 柔軟剤の使用不可, ドライクリーニング不可		
<b>Korean</b>	가, 가, 가,		
<b>Danish</b>	Kold maskinvask, Vask separat, Må ikke afbleges, Tør i tørretumbler, lav, Brug ikke strygejern, Brug ikke skyllemiddel, Må ikke renses kemisk		
<b>Norwegian</b>	Maskinvask kald, Vaskes separat, Må ikke blekes, Tørketrommel, lav, Skal ikke strykes, Ikke bruk tøyrykner, Skal ikke renses		
<b>Swedish</b>	Maskintvättas kallt, Tvättas separat, Får inte blekas, Torktumlas på låg nivå, Får inte strykas, Sköljmedel får inte användas, Kemtvättas inte		
<b>Dutch</b>	Koud wassen in wasmachine, Apart wassen, Niet bleken, In droger op laag, Niet strijken, Geen wasverzachter gebruiken, Niet laten stomen		

### Care Report

Line Slot: Arlingdale Softshell

State: Production

Season: S25

Merchandise Division: Outerwear

Merchandise Collection: Exclusive

Product Class: Soft Shell Tops

Designer: so.tauch

Developer: ccheng

LO Developer: triveni.hebbar

Sourcing Manager: james.burnett

Fit Engineer: ccheng



Design: S5MO215433

Sample LO:

Production LO: India

Style Material Style

Style Description Pattern

Base Size Size Scale

Fit SMU Type

XO4937 2154331

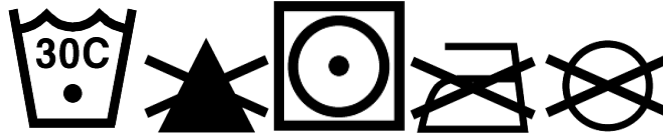
Arlingdale™  
Softshell L24M3140

M S - XXL

Active Style Add

**French Canadian**

Laver à la machine à l'eau froide, Laver séparément, Ne pas utiliser d'agent de blanchiment, Séchage par culbutage à basse température, Ne pas repasser, Ne pas utiliser d'assouplisseur, Ne pas nettoyer à sec



## Content Report

Line Slot: Arlingdale Softshell	State: Production	Season: S25
Merchandise Division: Outerwear	Merchandise Collection: Exclusive	Product Class: Soft Shell Tops
Designer: so.tauch	Developer: ccheng	LO Developer: triveni.hebbar
Fit Engineer: ccheng		Sourcing Manager: james.burnett
Design: S5MO215433	Sample LO:	Production LO: India
Style XO4937	Material Style: 2154331	Style Description: Arlingdale™ Softshell
	Pattern: L24M3140	Base Size: M
		Size Scale: S - XXL
		Fit: Active
		SMU Type: Style Add



CONTENT CODE: AIO		Color Way Number	Color Way Name
Shell Face: 100% Polyester		681	Spice
Shell Back: 100% Polyester Exclusive of Trimming		039	Columbia Grey
<b>FRENCH</b>	Tissu de la partie avant: 100% Polyester	010	Black
	Tissu de la partie arrière: 100% Polyester Sauf les bordures		
<b>GERMAN</b>	Außenhülle Vorderteil: 100% Polyester		
	Rückenteil Außenhülle Rückenteil: 100% Polyester Ohne Besatz		
<b>PORTUGUESE</b>	Exterior anterior: 100% Poliéster		
	Exterior posterior: 100% Poliéster Sem orlas		
<b>SPANISH</b>	Parte delantera de la cubierta: 100% Poliéster		
	Parte posterior de la cubierta: 100% Poliéster Exclusivo de los ribetes		
<b>ITALIAN</b>	Parte anteriore guscio: 100% Poliestere		
	Parte posteriore guscio: 100% Poliestere Ad eccezione dei bordini		
<b>RUSSIAN</b>	Оболочка, лицо: 100% Полиэфир		
	Оболочка, изнанка: 100% Полиэфир Без дополнительных деталей		
<b>CZECH REPUBLICAN</b>	Přední dík skořepiny: 100% Polyester		
	Zadní díl skořepiny: 100% Polyester Bez nášivek		
<b>HEBREW</b>	חזית המעטפת: 100% פוליאסטר		
	גב המעטפת: 100% פוליאסטר ללא קישוט		
<b>HUNGARIAN</b>	Külső elől: 100% Poliészter		
	Külső hátul: 100% Poliészter Szegélydíszen kívül		
<b>POLISH</b>	Wierzch powłoki: 100% Poliester		
	Spód powłoki: 100% Poliester Wyłączając naszywki		
<b>PORTUGUESE BRAZIL</b>	Exterior anterior: 100% Poliéster		
	Exterior posterior: 100% Poliéster Sem adornos		
<b>SLOVAKIAN</b>	Plášť, predná časť: 100% Polyester		
	Plášť, zadná časť: 100% Polyester Okrem lemovania		
<b>SLOVENIAN</b>	Lice lupine: 100% Poliester		
	Hrbet lupine: 100% Poliester Brez obrezovanja		
<b>SPANISH LATIN AMERICAN</b>	Parte delantera de la cubierta: 100% Poliéster		
	Parte posterior de la cubierta: 100% Poliéster Exclusivo de los ribetes		
<b>TURKISH</b>	Kabuk Ön: 100% Polyester		
	Kabuk Arka: 100% Polyester Süsler Hariç		

## Content Report

Line Slot: Arlingdale Softshell		State: Production		Season: S25			
Merchandise Division: Outerwear	Merchandise Collection: Exclusive	Product Class: Soft Shell Tops					
Designer: so.tauch	Developer: ccheng	LO Developer: triveni.hebbar		Sourcing Manager: james.burnett			
Fit Engineer: ccheng							
Design:	S5MO215433	Sample LO:		Production LO:	India		
Style	Material Style	Style Description	Pattern	Base Size	Size Scale	Fit	SMU Type
XO4937	2154331	Arlingdale™ Softshell	L24M3140	M	S - XXL	Active	Style Add



<b>CHINESE SIMPLIFIED</b>	<b>外壳正面:</b>	100% 聚酯
	<b>外壳背面:</b>	100% 聚酯 不包括装饰品
<b>CHINESE TRADITIONAL</b>	<b>外殼正面:</b>	100% 聚酯
	<b>外殼背面:</b>	100% 聚酯 不包括裝飾品
<b>JAPANESE</b>	<b>シェル表:</b>	100% ポリエステル
	<b>シェル裏:</b>	100% ポリエステル 装飾品を除く
<b>KOREAN</b>	:	100%
	:	100%
<b>DANISH</b>	<b>Forside af skal:</b>	100% Polyester
	<b>Bagside af skal:</b>	100% Polyester Inkluderer ikke kant
<b>NORWEGIAN</b>	<b>Skall forside:</b>	100% Polyester
	<b>Skall rygg:</b>	100% Polyester Eksklusiv trimming
<b>SWEDISH</b>	<b>Ytterdel främre:</b>	100% Polyester
	<b>Ytterdel bakre:</b>	100% Polyester Utan trimming
<b>DUTCH</b>	<b>Schelp-voorkant:</b>	100% Polyester
	<b>Schelp-achterkant:</b>	100% Polyester Exclusief trimmen
<b>FRENCH CANADIAN</b>	<b>Tissu de la partie avant:</b>	100% Polyester
	<b>Tissu de la partie arrière:</b>	100% Polyester Exclut les bordures

### Pattern Piece Detail



Line Slot: Arlingdale Softshell		State: Production		Season: S25			
Merchandise Division: Outerwear	Merchandise Collection: Exclusive	Product Class: Soft Shell Tops					
Designer: so.tauch	Developer: ccheng	LO Developer: triveni.hebbbar	Sourcing Manager: james.burnett				
Fit Engineer: ccheng							
Design:	S5MO21543 3	Sample LO:	Production LO:	India			
Style	Material Style	Style Description	Pattern	Base Size	Size Scale	Fit	SMU Type
XO4937	2154331	Arlingdale™ Softshell	L24M3140	M	S - XXL	Active	Style Add

#### L24M3140 -

Component	Quantity	Long Description	Abbreviation	Code
-----------	----------	------------------	--------------	------

This is confidential and proprietary information of Columbia Sportswear Company. You agree that you will not disclose this information to any third party or use it for any purpose other than on behalf of Columbia. You have no right to use Columbia's name or any of its trademarks, trade names, copyrights, patents, designs or other intellectual property except as set forth in writing by Columbia.



### Measurements

Line Slot: Arlingdale Softshell		State: Production		Season: S25	
Merchandise Division: Outerwear	Merchandise Collection: Exclusive	Product Class: Soft Shell Tops			
Designer: so.tauch	Developer: ccheng	LO Developer: triveni.hebbbar		Sourcing Manager: james.burnett	
Fit Engineer: ccheng					
Design: S5MO215433	Sample LO:	Production LO: India			
Style Material Style	Style Description	Pattern	Base Size	Size Scale	Fit
XO4937	2154331	Arlingdale™ Softshell	L24M3140	M	S - XXL
					SMU Type
					Style Add



Sort Order		Use	Type	Placement	(+/-)	S	M	L	XL	XXL
Grade Rule: OW Mens Top XXS-6XL (M) - Block: null										
345.0	CHEST (1 inch blw armhole)	QC	Graded		1.0	41.0	<b>44.0</b>	48.0	52.0	56.0
355.0	WAIST (RELAXED)	QC	Graded		1.0	39.0	<b>42.0</b>	46.0	50.0	54.0
364.0	WAIST POSITION (DWN FRM CB)	QC	Varies By Style		0.25	18.25	<b>18.5</b>	18.75	19.0	19.25
369.0	SWEEP (RELAXED)	QC	Graded		1.0	39.0	<b>42.0</b>	46.0	50.0	54.0
375.0	SHOULDER WIDTH (NATURAL SHOULDER)	QC	Graded		0.5	17.0	<b>18.0</b>	19.5	21.0	22.5
378.0	SLEEVE LENGTH (CB)	QC	Graded		0.625	34.5	<b>35.5</b>	36.5	37.5	38.5
381.0	SLEEVE WIDTH (1 inch blw armhole)	QC	Graded		0.5	18.0	<b>18.5</b>	19.0	19.5	20.0
404.0	CUFF (EXTENDED)	QC	Graded		0.25	10.5	<b>10.75</b>	11.0	11.25	11.5
439.0	CENTER BACK LENGTH (1in GROUP GRADE)	QC	Graded		0.5	27.5	<b>27.5</b>	28.5	28.5	29.5
478.0	NECK CIRCUMFERENCE	QC	Graded		0.25	19.0	<b>20.0</b>	21.0	22.0	23.0
493.0	COLLAR LENGTH	QC	Graded		0.25	19.0	<b>20.0</b>	21.0	22.0	23.0
498.0	COLLAR HEIGHT AT CB		Graded		0.125	3.25	<b>3.25</b>	3.25	3.25	3.25
503.0	COLLAR TIP LENGTH		Graded		0.125	3.0	<b>3.0</b>	3.0	3.0	3.0
2822.0	ELBOW WIDTH - circumference - at mid point of under sleeve seam	QC	Varies By Style		0.375	14.25	<b>14.5</b>	14.875	15.25	15.625
6802.0	FINISHED ZIPPER LENGTH - chest pocket opening		Varies By Style		0.0	6.5	<b>6.5</b>	7.0	7.0	7.5
6830.0	FINISHED ZIPPER LENGTH - lower front pocket opening		Varies By Style		0.0	8.0	<b>8.0</b>	8.5	8.5	9.0

### Measurements

Line Slot: Arlingdale Softshell		State: Production		Season: S25			
Merchandise Division: Outerwear		Merchandise Collection: Exclusive		Product Class: Soft Shell Tops			
Designer: so.tauch		Developer: ccheng		LO Developer: triveni.hebbbar			
Fit Engineer: ccheng				Sourcing Manager: james.burnett			
Design:	S5MO215433	Sample LO:		Production LO:	India		
Style	Material Style	Style Description	Pattern	Base Size	Size Scale	Fit	SMU Type
XO4937	2154331	Arlingdale™ Softshell	L24M3140	M	S - XXL	Active	Style Add



Sort Order		Use	Type	Placement	(+/-)	S	M	L	XL	XXL
930.0	Drawcord-Cording-Laces 1		Component		0.0	42.0	<b>45.0</b>	49.0	53.0	57.0
960.0	Drawcord-Cording-Laces 2		Component		0.0	7.0	<b>7.0</b>	7.0	7.0	7.0
1850.0	Hook 1		Component		0.0	2.0	<b>2.0</b>	2.0	2.0	2.0
2190.0	Loop 1		Component		0.0	4.5	<b>4.5</b>	4.5	4.5	4.5
3190.0	Webbing and Tape 1		Component		0.0	2.25	<b>2.25</b>	2.25	2.25	2.25
3670.0	Zipper 1		Component		0.0	27.5	<b>27.5</b>	28.5	28.5	29.5
3690.0	Zipper 2		Component		0.0	9.0	<b>9.0</b>	9.5	9.5	10.0
3710.0	Zipper 3		Component		0.0	7.5	<b>7.5</b>	8.0	8.0	8.5

This is confidential and proprietary information of Columbia Sportswear Company. You agree that you will not disclose this information to any third party or use it for any purpose other than on behalf of Columbia. You have no right to use Columbia's name or any of its trademarks, trade names, copyrights, patents, designs or other intellectual property except as set forth in writing by Columbia.

### Thumbnail

Line Slot: Arlingdale Softshell  
 Merchandise Division: Outerwear  
 Designer: so.tauch  
 Fit Engineer: ccheng

Merchandise Collection: Exclusive  
 Developer: ccheng

State: Production  
 Product Class: Soft Shell Tops  
 LO Developer: triveni.hebbar

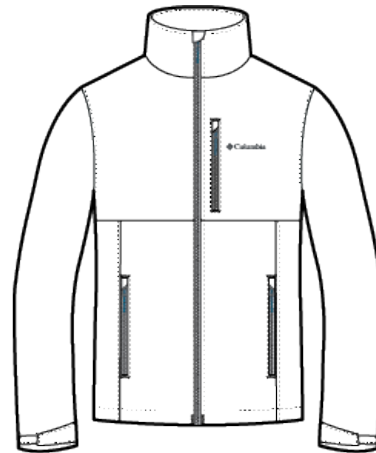
Season: S25  
 Sourcing Manager: james.burnett

Design: S5MO215433  
 Style Material Style  
 XO4937 2154331

Sample LO:  
 Style Description Pattern  
 Arlingdale™ L24M3140  
 Softshell

Production LO: India  
 Base Size Size Scale  
 M S - XXL

Fit SMU Type  
 Active Style Add



This is confidential and proprietary information of Columbia Sportswear Company. You agree that you will not disclose this information to any third party or use it for any purpose other than on behalf of Columbia. You have no right to use Columbia's name or any of its trademarks, trade names, copyrights, patents, designs or other intellectual property except as set forth in writing by Columbia.

## Technical

Line Slot: Arlingdale Softshell		State: Production		Season: S25			
Merchandise Division: Outerwear	Merchandise Collection: Exclusive	Product Class: Soft Shell Tops					
Designer: so.tauch	Developer: ccheng	LO Developer: triveni.hebbar	Sourcing Manager: james.burnett				
Fit Engineer: ccheng							
Design: S5MO21543 3	Sample LO:	Production LO:	India				
Style XO4937	Material Style 2154331	Style Description Arlingdale™ Softshell	Pattern L24M3140	Base Size M	Size Scale S - XXL	Fit Active	SMU Type Style Add



Last Updated: 08.15.24 ST

\*All Shell ① unless Indicated

S1

S2

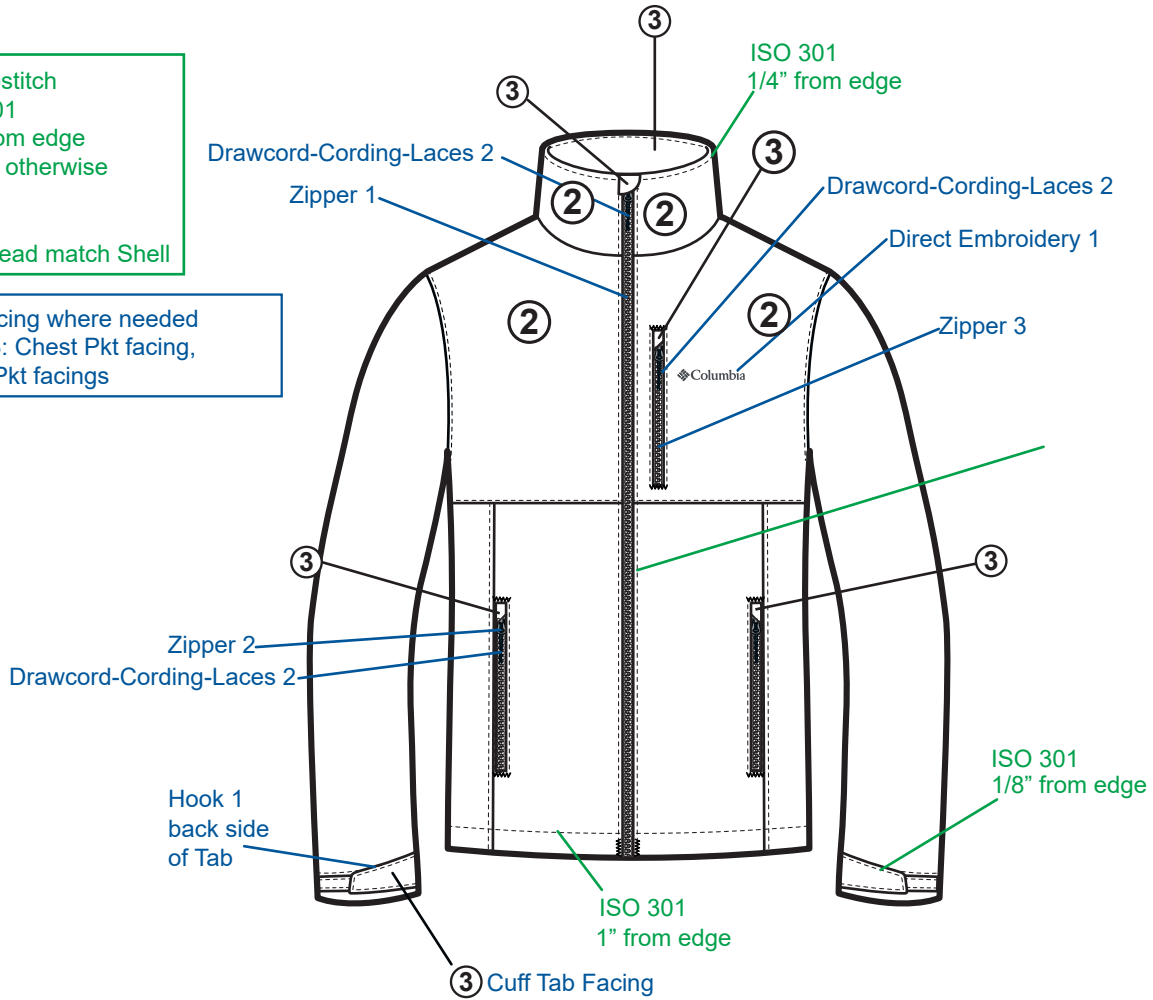
S3

S4

All Topstitch  
ISO 301  
1/8" from edge  
unless otherwise  
noted

All Thread match Shell

Interfacing where needed  
Shell 3: Chest Pkt facing,  
Hand Pkt facings

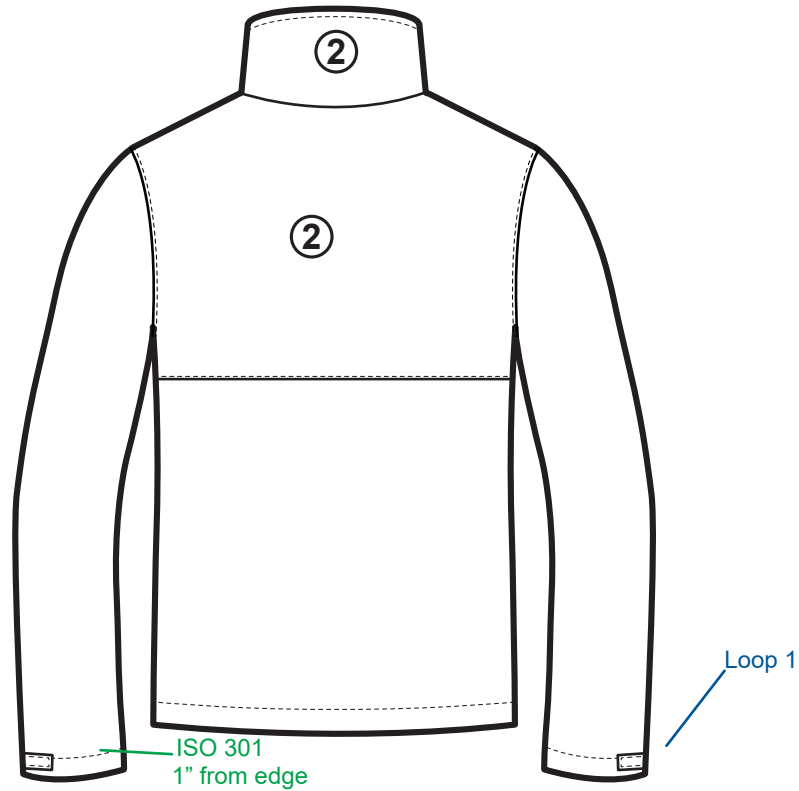


## Technical

Line Slot: Arlingdale Softshell		State: Production	Season: S25
Merchandise Division: Outerwear	Merchandise Collection: Exclusive	Product Class: Soft Shell Tops	
Designer: so.tauch	Developer: ccheng	LO Developer: triveni.hebbbar	Sourcing Manager: james.burnett
Fit Engineer: ccheng			



Design:	S5MO21543 3	Sample LO:		Production LO:	India		
Style	Material Style	Style Description	Pattern	Base Size	Size Scale	Fit	SMU Type
XO4937	2154331	Arlingdale™ Softshell	L24M3140	M	S - XXL	Active	Style Add

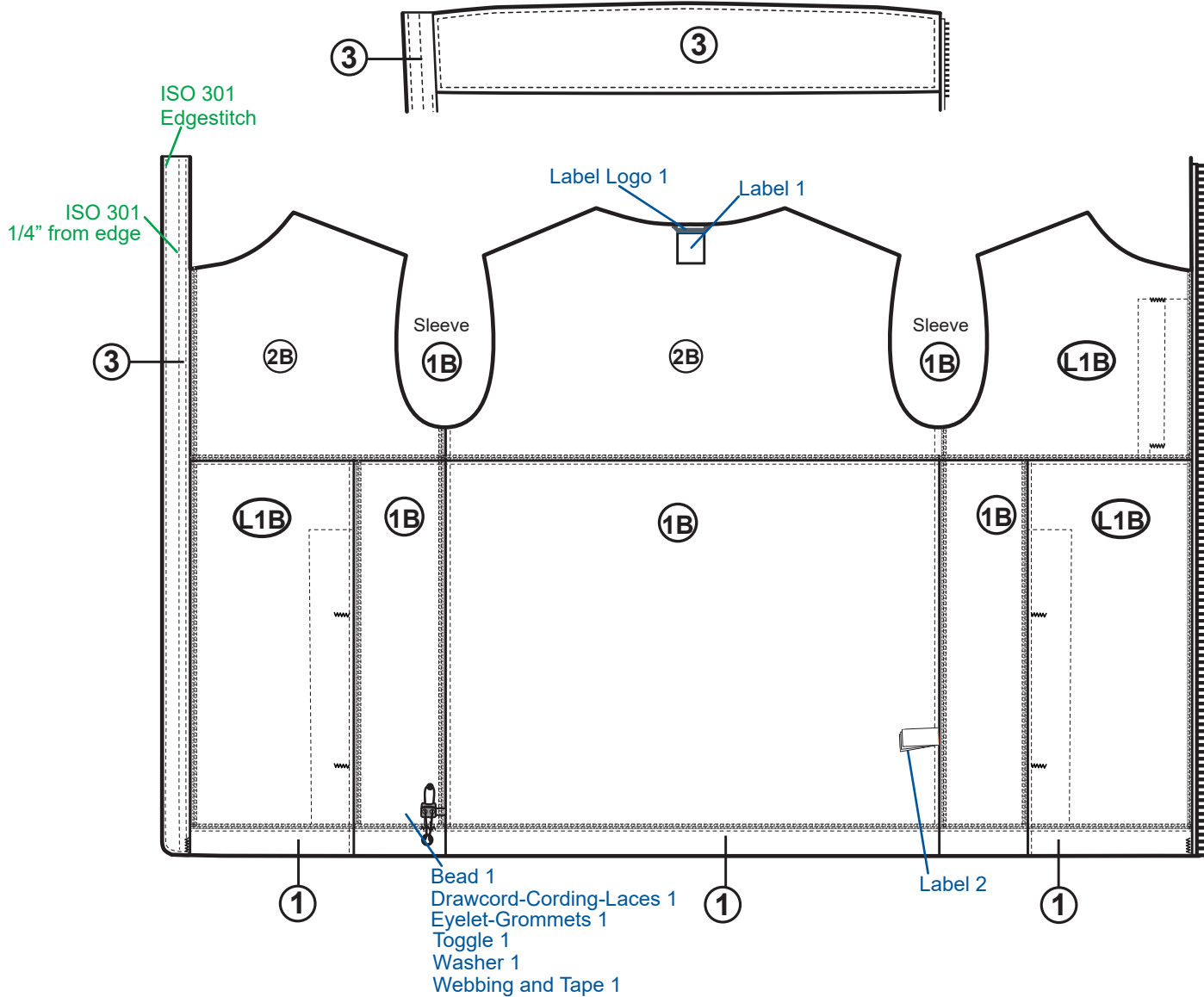


## Technical

Line Slot: Arlingdale Softshell		State: Production		Season: S25			
Merchandise Division: Outerwear		Merchandise Collection: Exclusive		Product Class: Soft Shell Tops			
Designer: so.tauch		Developer: ccheng		LO Developer: triveni.hebbar			
Fit Engineer: ccheng		Sourcing Manager: james.burnett					
Design:	S5MO21543 3	Sample LO:		Production LO:	India		
Style	Material Style	Style Description	Pattern	Base Size	Size Scale	Fit	SMU Type
XO4937	2154331	Arlingdale™ Softshell	L24M3140	M	S - XXL	Active	Style Add



Last Updated: 08.15.24 ST

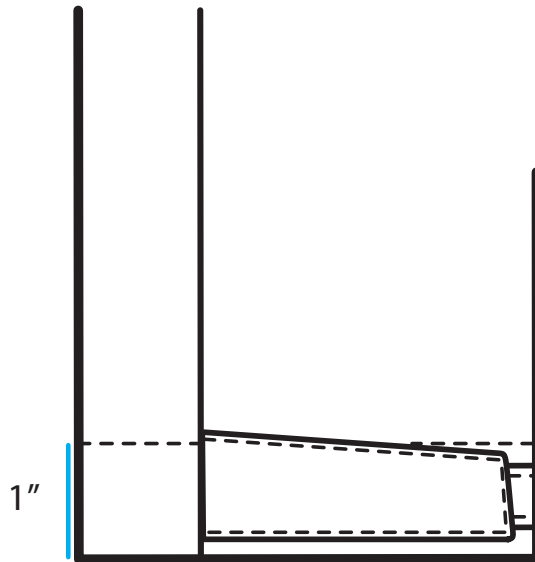


## Technical

Line Slot: Arlingdale Softshell		State: Production		Season: S25			
Merchandise Division: Outerwear		Merchandise Collection: Exclusive		Product Class: Soft Shell Tops			
Designer: so.tauch		Developer: ccheng		LO Developer: triveni.hebbbar		Sourcing Manager: james.burnett	
Fit Engineer: ccheng							
Design:	S5MO21543 3	Sample LO:		Production LO:	India		
Style	Material Style	Style Description	Pattern	Base Size	Size Scale	Fit	SMU Type
XO4937	2154331	Arlingdale™ Softshell	L24M3140	M	S - XXL	Active	Style Add

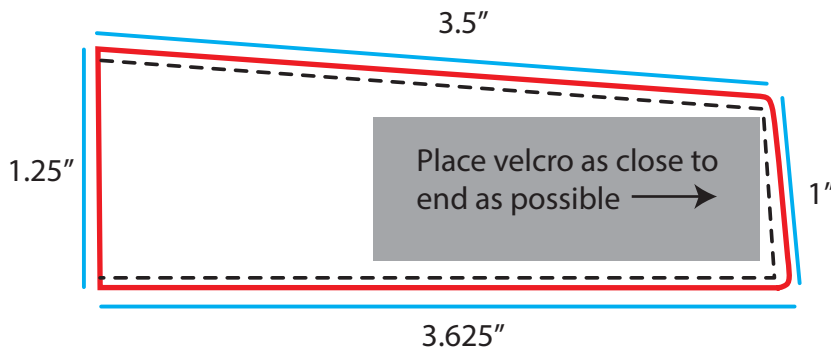


## M'S DETAIL SKETCH for SOFT SHELL CUFF TAB



**STITCHED**

- \* Stitched cuff & cuff tab
- \* Strip-cut hook & loop

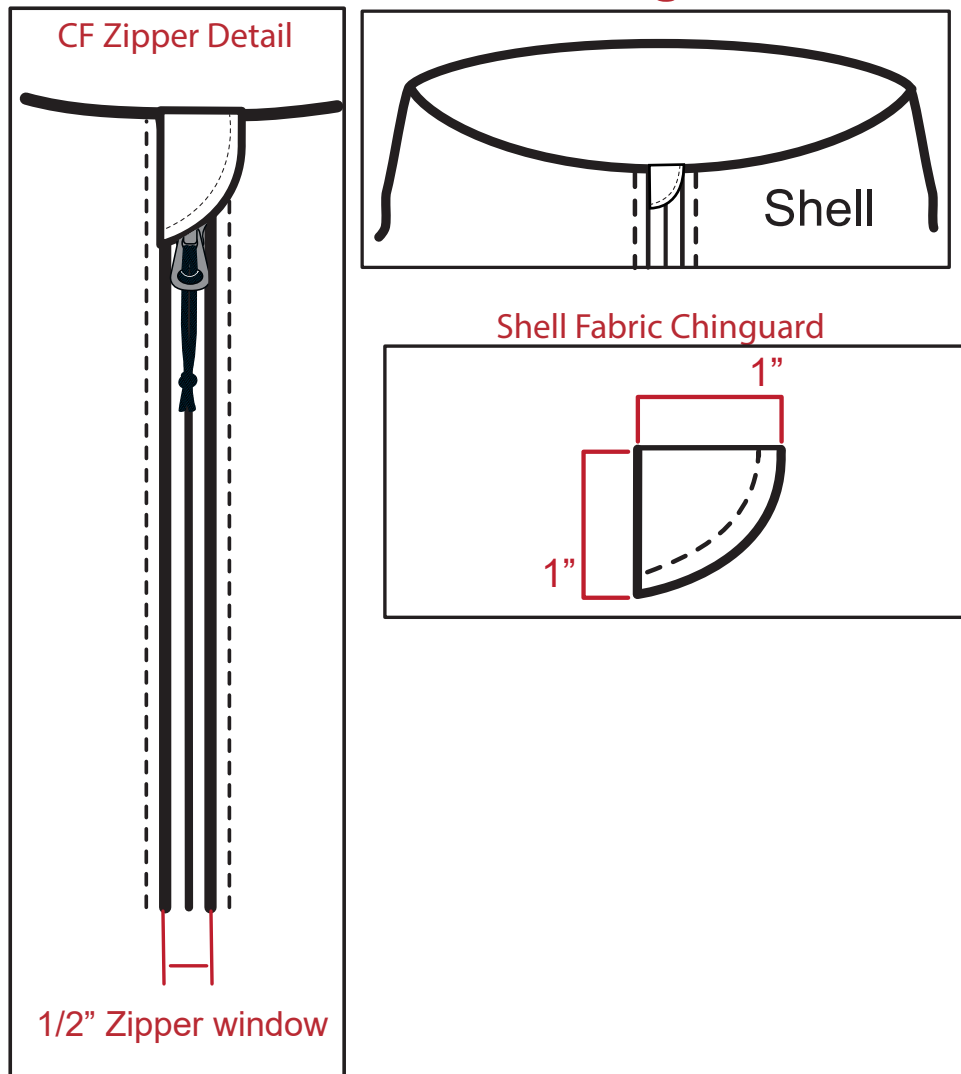


## Technical

Line Slot: Arlingdale Softshell		State: Production		Season: S25			
Merchandise Division: Outerwear		Merchandise Collection: Exclusive		Product Class: Soft Shell Tops			
Designer: so.tauch		Developer: ccheng		LO Developer: triveni.hebbar		Sourcing Manager: james.burnett	
Fit Engineer: ccheng							
Design:	S5MO21543 3	Sample LO:		Production LO:	India		
Style	Material Style	Style Description	Pattern	Base Size	Size Scale	Fit	SMU Type
XO4937	2154331	Arlingdale™ Softshell	L24M3140	M	S - XXL	Active	Style Add



## Ms CF Foldover Chinguard



This is confidential and proprietary information of Columbia Sportswear Company. You agree that you will not disclose this information to any third party or use it for any purpose other than on behalf of Columbia. You have no right to use Columbia's name or any of its trademarks, trade names, copyrights, patents, designs or other intellectual property except as set forth in writing by Columbia.



# Hangtag Package Report

Apparel Style: XO4937

Season: S25

Brand: Columbia

Merchandise Category: Outerwear

Merchandiser: rhendricks

Line Slot: Arlingdale Softshell

Sort Order: 0.5 Part: 126966 - Active Fit Swing Tag  
 Instruction: Swing tag to be placed on top of cover tag on same plastic stringer.

SKU/Version #	Size	Name	Revised Date
OP1490983	126966	OP1490983_126966_MT_Active Fit	10-18-23



SKU/Version #	Size	Name	Revised Date
Process Bar / Process Blue	126966	TC-1	
275 x 137 / 1056mm x 583mm		Apexour Coating, Die Cut, 3mm Punch	

Sort Order: 1.0 Part: 097038 - Columbia Omni-Shield Hangtag  
 Instruction: (Tag should be hung with 3" plastic loop stringer through lower left front pocket zipper pull)

SKU/Version #	Size	Name	Revised Date
OP384986	097038	OP384986_097038_TC_Columbia_OmniShield	01-17-23



SKU/Version #	Size	Name	Revised Date
4 - Process Blue / Process Blue	126966	TC-1	
235 x 248 / 938mm x 983mm		Apexour Coating, Die Cut, 3mm Punch	

Sort Order: 9.0 Part: 121612 - MSRP/UPC with RFID Specs for MSRP.  
 Please refer to VAS specs for any exceptions. MSRP required on all product shipping to the US.  
 Instruction:

