

Related Styles

Line Slot: Washed Out Short State: Production Season: S25
 Merchandise Division: Sportswear Merchandise Collection: Outdoor Product Class: Woven Short
 Designer: Sara.Allegre Developer: bellali LO Developer: kgokul Sourcing Manager: melissa.gallagher
 Fit Engineer: bellali



| | | | | | | | |
|---------|----------------|-------------------|----------|----------------|------------|---------|-----------|
| Design: | S3MS49195 | Sample LO: | | Production LO: | India | | |
| Style | Material Style | Style Description | Pattern | Base Size | Size Scale | Fit | SMU Type |
| AM4471 | 1491953 | Washed Out™ Short | M24M8059 | 32 | 28 - 44 | Regular | Color Add |

| Style | Material Style | Style Description | Design | Pattern | Base Size | Size Scale | Sample LO | Production LO |
|--------|----------------|-------------------|-----------|----------|-----------|------------|-----------|---------------|
| AS4471 | 1491956 | Washed Out™ Short | S3MS49195 | M24S8059 | 44 | 42 - 54 | | India |
| AE4471 | 1491957 | Washed Out™ Short | S3MS49195 | M17Z1545 | 32 | 28 - 38 | | India |

This is confidential and proprietary information of Columbia Sportswear Company. You agree that you will not disclose this information to any third party or use it for any purpose other than on behalf of Columbia. You have no right to use Columbia's name or any of its trademarks, trade names, copyrights, patents, designs or other intellectual property except as set forth in writing by Columbia.

Part Specifications with Approved Suppliers

Line Slot: Washed Out Short State: Production Season: S25
 Merchandise Division: Sportswear Merchandise Collection: Outdoor Product Class: Woven Short
 Designer: Sara.Allegre Developer: bellali LO Developer: kgokul Sourcing Manager: melissa.gallagher
 Fit Engineer: bellali



Design: S3MS49195 Sample LO: Production LO: India Vendor Master INDIA Vendor Master INDIA
 Style Material Style Style Pattern Base Size Size Scale Fit SMU Type
 Description
 AM4471 1491953 Washed Out™ Short M24M8059 32 28 - 44 Regular Color Add

| Number | Description | UM | Fiber Content | Fiber Content Back | Material Coating | Material Finish (Face) | Material Laminate | Trim Specific | Supplier Art No | Country of Origin | Standard Cost (FOB) | Purchase Cost (CIF) | Product on Lead Time with Greige | Product on Lead Time without Greige |
|-------------------------|---|----|-------------------------|--------------------|------------------|------------------------|-------------------|---------------|--------------------------|-------------------|---------------------|---------------------|----------------------------------|-------------------------------------|
| 006564 | 33mm Care Content ECO Booklet Fold label with fully translated country of origin WHT/BLK for most, BLK/WHT for Titanium only, GRY/BLK is for Garment DYE ONLY | ea | 100% Recycled Polyester | unassigned | unassigned | unassigned | unassigned | Size UM: mm | | | | | | |
| Dong Young | | | | | | | | | DY-006564 | South Korea | 0.04 | 0.0 | 15 | 15 |
| Avery Dennison Global | | | | | | | | | S2088861-8 | China | 0.016 | 0.0 | 30 | 30 |
| Bao Shen (Apparel) | | | | | | | | | YL15110003 0 PS7530A5 | unassigned | 0.016 | 0.0 | 7 | 21 |
| Nexgen Packaging Global | | | | | | | | | 006564 | unassigned | 0.0221 | 0.0 | 21 | 28 |
| 097305 | Columbia No Tech Hangtag | ea | unassigned | unassigned | unassigned | unassigned | unassigned | Size UM: cm | | | | | | |
| Hang Sang Press Co. Ltd | | | | | | | | | n/a | unassigned | 0.0167 | 0.0 | 0 | 0 |
| Bao Shen (Apparel) | | | | | | | | | 097305 | Vietnam | 0.014 | 0.0 | 7 | 21 |
| Finotex El Salvador | | | | | | | | | n/a | unassigned | 0.0233 | 0.0 | 21 | 28 |
| 121612 | MSRP/UPC with RFID Specs for MSRP. Please refer to VAS specs for any exceptions. MSRP required on all product shipping to the US. | ea | unassigned | unassigned | unassigned | unassigned | unassigned | Size UM: mm | | | | | | |
| Bao Shen (Apparel) | | | | | | | | | n/a | unassigned | 0.049 | 0.0 | 7 | 0 |
| Avery Dennison Global | | | | | | | | | n/a | unassigned | 0.04875 | 0.0 | 14 | 0 |
| 127015 | Mens Shorts Regular Joker | ea | unassigned | unassigned | unassigned | unassigned | unassigned | Size UM: in | | | | | | |
| Hang Sang Press Co. Ltd | | | | | | | | | n/a | unassigned | 0.036 | 0.0 | 0 | 0 |
| 980001 | Polybag See Standard CCS 4200 for specifications | ea | unassigned | unassigned | unassigned | unassigned | unassigned | Size UM: mm | | | | | | |
| Contractor | | | | | | | | | 980001 | unassigned | 0.0 | 0.0 | 0 | 0 |
| 980010 | UPC Bag Sticker Generic (MHW/Columbia) See CCS4400/ 4401 and MHW4402 for Mt Hardware for instructions | ea | unassigned | unassigned | unassigned | unassigned | unassigned | Size UM: mm | | | | | | |
| Hang Sang Press Co. Ltd | | | | | | | | | 980010 | Hong Kong | 0.016 | 0.0 | 14 | 14 |
| Avery Dennison Global | | | | | | | | | 980010 | China | 0.011 | 0.0 | 30 | 30 |
| FGV Sourced | | | | | | | | | 980010 | unassigned | 0.0 | 0.0 | 0 | 0 |
| Bao Shen (Apparel) | | | | | | | | | 980010 | unassigned | 0.011 | 0.0 | 7 | 21 |

Color BOM

| | | |
|----------------------------------|---------------------------------|-------------------------------------|
| Line Slot: Washed Out Short | State: Production | Season: S25 |
| Merchandise Division: Sportswear | Merchandise Collection: Outdoor | Product Class: Woven Short |
| Designer: Sara.Allegre | Developer: bellali | LO Developer: kgokul |
| Fit Engineer: bellali | | Sourcing Manager: melissa.gallagher |
| Design: S3MS49195 | Sample LO: | Production LO: India |
| Style AM4471 | Material Style 1491953 | Style Description Pattern |
| | Washed Out™ Short | M24M8059 |
| | Base Size 32 | Size Scale 28 - 44 |
| | | Fit Regular |
| | | SMU Type Color Add |



| Component | Details | Placement | Usage | Width | Marker Width | 022-Grey Ash | 161-Fossil | 245-CROUTON | 347-Safari | 364-River Blue |
|--------------------------|--|--------------------|---------|-------|--------------|----------------------------|-------------------------|----------------------------|----------------------------|----------------------------|
| SAP Material Code | | | | | | 149195302 2 | 149195316 1 | 149195324 5 | 149195334 7 | 149195336 4 |
| | | | | | | 149195702 2 | 149195716 1 | 149195724 5 | 149195734 7 | 149195736 4 |
| | | | | | | 149195602 2 | 149195616 1 | 149195624 5 | 149195634 7 | 149195636 4 |
| SMU Accounts | | | | | | N/A | N/A | N/A | N/A | N/A |
| Shell 1 | 013283 Poplin 4.26oz/sy Poplin 100% Cotton 134 X 97 40x40 Sanded/Peached (technical face) MaterialCoatingNone MaterialLaminateNone 146.0 g/m2 Piece Dye/Pad NA | | 0.95 yd | 56.0 | 55 | Grey Ash | Fossil | Crouton | Safari | River Blue |
| Lining 1 | 100267 Pocketing (T/C) Poplin 65% Polyester, 35% Cotton 110 X 76 45 pc X 45 pc Mercerized 105.0 g/m2 Scouring-Bleaching NA | | 0.42 yd | 56.0 | 43 | White | White | White | White | White |
| Interfacing 1 | 011952 Interlining Non-Woven Fusible Light Weight for Garment Wash Interlining 100% Polyester 0.0 g/m2 | | 0.15 yd | 60.0 | 60 | White | White | White | White | White |
| Button 1 | 098784 28L Debossed Columbia Dark Horn/Light Horn (No DTM) Low profile Plastic Button | | 1 ea | 0.0 | 0 | Dark Horn | Light Horn | Dark Horn | Light Horn | Dark Horn |
| Label Logo 1 | 077256 35mm Gem Columbia Flat Woven Label with starch | | 1 ea | 0.0 | 0 | Grill, Columbia Grey | Columbia Grey, Grill | Grill, Columbia Grey | Grill, Columbia Grey | Grill, Columbia Grey |
| Thread 1 | 061708 Coats Astra Tex 40 spun poly for sewing lightweight woven and knits | Interior Waistband | 3 meter | 0.0 | 0 | DTM | DTM | DTM | DTM | DTM |

Color BOM

| | | | | | | | |
|----------------------------------|----------------|---------------------------------|----------|-------------------------------------|------------|---------|-----------|
| Line Slot: Washed Out Short | | State: Production | | Season: S25 | | | |
| Merchandise Division: Sportswear | | Merchandise Collection: Outdoor | | Product Class: Woven Short | | | |
| Designer: Sara.Allegre | | Developer: bellali | | LO Developer: kgokul | | | |
| Fit Engineer: bellali | | | | Sourcing Manager: melissa.gallagher | | | |
| Design: | S3MS49195 | Sample LO: | | Production LO: | India | | |
| Style | Material Style | Style Description | Pattern | Base Size | Size Scale | Fit | SMU Type |
| AM4471 | 1491953 | Washed Out™ Short | M24M8059 | 32 | 28 - 44 | Regular | Color Add |



| Component | Details | Placement | Usage | Width | Marker Width | 022-Grey Ash | 161-Fossil | 245-Crouton | 347-Safari | 364-River Blue |
|--------------------------|--|-----------|-----------|-------|--------------|------------------------------------|------------------------------------|------------------------------------|------------------------------------|------------------------------------|
| SAP Material Code | | | | | | 149195302 2 | 149195316 1 | 149195324 5 | 149195334 7 | 149195336 4 |
| | | | | | | 149195702 2 | 149195716 1 | 149195724 5 | 149195734 7 | 149195736 4 |
| | | | | | | 149195602 2 | 149195616 1 | 149195624 5 | 149195634 7 | 149195636 4 |
| Thread 2 | 013264 Coats ASTRA Spun Poly Tex 60 for sewing lightweight woven and knits | | 26 meter | 0.0 | 0 | DTM | DTM | DTM | DTM | DTM |
| Thread 3 | 061708 Coats Astra Tex 40 spun poly for sewing lightweight woven and knits | | 40 meter | 0.0 | 0 | DTM | DTM | DTM | DTM | DTM |
| Thread 4 | 008214 Coats ASTRA Spun Polyester Tex 27 40/2 | | 190 meter | 0.0 | 0 | DTM | DTM | DTM | DTM | DTM |
| Zipper 1 | 126123 CFC-36 DA E B-E Clsd AutoLk Enml Sldr/PI EnmlBtmStp Length: 4.0 | | 1 ea | 0.0 | 0 | Grey Ash | Fossil | Crouton | Safari | River Blue |
| Label 1 | 059199 40mm CSC Main /International ECO Size Woven Loop Label 3 clr | | 1 ea | 0.0 | 0 | White, Columbia Grey, Compass Blue | White, Columbia Grey, Compass Blue | White, Columbia Grey, Compass Blue | White, Columbia Grey, Compass Blue | White, Columbia Grey, Compass Blue |
| Label 2 | 006564 33mm Care Content ECO Booklet Fold label with fully translated country of origin WHT/BLK for most, BLK/WHT for Titanium only, GRY/BLK is for Garment DYE ONLY | | 1 ea | 0.0 | 0 | White, Black | White, Black | White, Black | White, Black | White, Black |
| Hangtag Package Part | 097305 Columbia No Tech Hangtag | | 1 ea | 0.0 | 0 | Artwork | Artwork | Artwork | Artwork | Artwork |
| Hangtag Package Part | 121612 MSRP/UPC with RFID Specs for MSRP. Please refer to VAS specs for any exceptions. MSRP required on all product shipping to the US. | | 1 ea | 0.0 | 0 | Artwork | Artwork | Artwork | Artwork | Artwork |
| Hangtag Package Part | 127015 Mens Shorts Regular Joker | | 1 ea | 0.0 | 0 | Artwork | Artwork | Artwork | Artwork | Artwork |
| Packaging 1 | 980001 Polybag See Standard CCS 4200 for specifications | | 1 ea | 0.0 | 0 | Stock | Stock | Stock | Stock | Stock |

Color BOM

| | | |
|----------------------------------|---------------------------------|-------------------------------------|
| Line Slot: Washed Out Short | State: Production | Season: S25 |
| Merchandise Division: Sportswear | Merchandise Collection: Outdoor | Product Class: Woven Short |
| Designer: Sara.Allegre | Developer: bellali | LO Developer: kgokul |
| Fit Engineer: bellali | | Sourcing Manager: melissa.gallagher |
| Design: S3MS49195 | Sample LO: | Production LO: India |
| Style AM4471 | Material Style 1491953 | Style Description Pattern M24M8059 |
| | Washed Out™ Short | Base Size 32 |
| | | Size Scale 28 - 44 |
| | | Fit Regular |
| | | SMU Type Color Add |



| Component | Details | Placement | Usage | Width | Marker Width | 022-Grey Ash | 161-Fossil | 245-Crouton | 347-Safari | 364-River Blue |
|--------------------------|--|-----------|-------|-------|--------------|----------------|----------------|----------------|----------------|----------------|
| SAP Material Code | | | | | | 149195302 2 | 149195316 1 | 149195324 5 | 149195334 7 | 149195336 4 |
| | | | | | | 149195702 2 | 149195716 1 | 149195724 5 | 149195734 7 | 149195736 4 |
| | | | | | | 149195602 2 | 149195616 1 | 149195624 5 | 149195634 7 | 149195636 4 |
| Packaging 2 | 980010 UPC Bag Sticker Generic (MHW/Columbia) See CCS4400/ 4401 and MHW4402 for Mt Hardwear for instructions | | 1 ea | 0.0 | 0 | Artwork | Artwork | Artwork | Artwork | Artwork |
| Packaging 3 | 064194 Outer Carton for costing purpose only | | 1 ea | 0.0 | 0 | Stock | Stock | Stock | Stock | Stock |

Color BOM

| | | | | | | | |
|----------------------------------|---------------------------------|-------------------------------------|------------------|--------------|--------------------|-------------|--------------------|
| Line Slot: Washed Out Short | State: Production | Season: S25 | | | | | |
| Merchandise Division: Sportswear | Merchandise Collection: Outdoor | Product Class: Woven Short | | | | | |
| Designer: Sara.Allegre | Developer: bellali | LO Developer: kgokul | | | | | |
| Fit Engineer: bellali | | Sourcing Manager: melissa.gallagher | | | | | |
| Design: S3MS49195 | Sample LO: | Production LO: India | | | | | |
| Style AM4471 | Material Style 1491953 | Style Description Washed Out™ Short | Pattern M24M8059 | Base Size 32 | Size Scale 28 - 44 | Fit Regular | SMU Type Color Add |



| Component | Details | Placement | Usage | Width | Marker Width | 421-India Ink | 432-Ripple Blue | 614-Mountain Red | 851-Tuscan |
|--------------------------|--|--------------------|----------|-------|--------------|--|--|--|--|
| SAP Material Code | | | | | | 1491953421 1491957421 1491956421 | 1491953432 1491956432 1491957432 | 1491957614 1491956614 1491953614 | 1491953851 1491956851 1491957851 |
| SMU Accounts | | | | | | N/A | N/A | N/A | N/A |
| Shell 1 | 013283 Poplin 4.26oz/sy Poplin 100% Cotton 134 X 97 40x40 Sanded/Peached (technical face) MaterialCoatingNone MaterialLaminateNone 146.0 g/m2 Piece Dye/Pad NA | | 0.95 yd | 56.0 | 55 | India Ink | Ripple Blue | Mountain Red | Tuscan |
| Lining 1 | 100267 Pocketing (T/C) Poplin 65% Polyester, 35% Cotton 110 X 76 45 pc X 45 pc Mercerized 105.0 g/m2 Scouring-Bleaching NA | | 0.42 yd | 56.0 | 43 | White | White | White | White |
| Interfacing 1 | 011952 Interlining Non-Woven Fusible Light Weight for Garment Wash Interlining 100% Polyester 0.0 g/m2 | | 0.15 yd | 60.0 | 60 | White | White | White | White |
| Button 1 | 098784 28L Debossed Columbia Dark Horn/Light Horn (No DTM) Low profile Plastic Button | | 1 ea | 0.0 | 0 | Dark Horn | Light Horn | Light Horn | Light Horn |
| Label Logo 1 | 077256 35mm Gem Columbia Flat Woven Label with starch | | 1 ea | 0.0 | 0 | Columbia Grey, Grill | Grill, Columbia Grey | Grill, Columbia Grey | Grill, Columbia Grey |
| Thread 1 | 061708 Coats Astra Tex 40 spun poly for sewing lightweight woven and knits | Interior Waistband | 3 meter | 0.0 | 0 | DTM | DTM | DTM | DTM |
| Thread 2 | 013264 Coats ASTRA Spun Poly Tex 60 for sewing lightweight woven and knits | | 26 meter | 0.0 | 0 | DTM | DTM | DTM | DTM |

Color BOM

| | | | | | | | |
|----------------------------------|----------------|---------------------------------|----------|-------------------------------------|------------|---------|-----------|
| Line Slot: Washed Out Short | | State: Production | | Season: S25 | | | |
| Merchandise Division: Sportswear | | Merchandise Collection: Outdoor | | Product Class: Woven Short | | | |
| Designer: Sara.Allegre | | Developer: bellali | | LO Developer: kkokul | | | |
| Fit Engineer: bellali | | | | Sourcing Manager: melissa.gallagher | | | |
| Design: | S3MS49195 | Sample LO: | | Production LO: | India | | |
| Style | Material Style | Style Description | Pattern | Base Size | Size Scale | Fit | SMU Type |
| AM4471 | 1491953 | Washed Out™ Short | M24M8059 | 32 | 28 - 44 | Regular | Color Add |



| Component | Details | Placement | Usage | Width | Marker Width | 421-India Ink | 432-Ripple Blue | 614-Mountain Red | 851-Tuscan |
|--------------------------|--|-----------|-----------|-------|--------------|--|--|--|--|
| SAP Material Code | | | | | | 1491953421 1491957421 1491956421 | 1491953432 1491956432 1491957432 | 1491957614 1491956614 1491953614 | 1491953851 1491956851 1491957851 |
| Thread 3 | 061708 Coats Astra Tex 40 spun poly for sewing lightweight woven and knits | | 40 meter | 0.0 | 0 | DTM | DTM | DTM | DTM |
| Thread 4 | 008214 Coats ASTRA Spun Polyester Tex 27 40/2 | | 190 meter | 0.0 | 0 | DTM | DTM | DTM | DTM |
| Zipper 1 | 126123 CFC-36 DA E B-E Clsd AutoLk Enml Sldr/PI EnmlBtmStp Length: 4.0 | | 1 ea | 0.0 | 0 | India Ink | Ripple Blue | Mountain Red | Tuscan |
| Label 1 | 059199 40mm CSC Main /International ECO Size Woven Loop Label 3 clr | | 1 ea | 0.0 | 0 | White, Columbia Grey, Compass Blue | White, Columbia Grey, Compass Blue | White, Columbia Grey, Compass Blue | White, Columbia Grey, Compass Blue |
| Label 2 | 006564 33mm Care Content ECO Booklet Fold label with fully translated country of origin WHT/BLK for most, BLK/WHT for Titanium only, GRY/BLK is for Garment DYE ONLY | | 1 ea | 0.0 | 0 | White, Black | White, Black | White, Black | White, Black |
| Hangtag Package Part | 097305 Columbia No Tech Hangtag | | 1 ea | 0.0 | 0 | Artwork | Artwork | Artwork | Artwork |
| Hangtag Package Part | 121612 MSRP/UPC with RFID Specs for MSRP. Please refer to VAS specs for any exceptions. MSRP required on all product shipping to the US. | | 1 ea | 0.0 | 0 | Artwork | Artwork | Artwork | Artwork |
| Hangtag Package Part | 127015 Mens Shorts Regular Joker | | 1 ea | 0.0 | 0 | Artwork | Artwork | Artwork | Artwork |
| Packaging 1 | 980001 Polybag See Standard CCS 4200 for specifications | | 1 ea | 0.0 | 0 | Stock | Stock | Stock | Stock |
| Packaging 2 | 980010 UPC Bag Sticker Generic (MHW/Columbia) See CCS4400/ 4401 and MHW4402 for Mt Hardwear for instructions | | 1 ea | 0.0 | 0 | Artwork | Artwork | Artwork | Artwork |
| Packaging 3 | 064194 Outer Carton for costing purpose only | | 1 ea | 0.0 | 0 | Stock | Stock | Stock | Stock |

Color BOM

| | | | | | | | |
|----------------------------------|----------------|---------------------------------|----------|----------------------------|------------|---------|-------------------------------------|
| Line Slot: Washed Out Short | | | | State: Production | | | Season: S25 |
| Merchandise Division: Sportswear | | Merchandise Collection: Outdoor | | Product Class: Woven Short | | | |
| Designer: Sara.Allegre | | Developer: bellali | | LO Developer: kgokul | | | Sourcing Manager: melissa.gallagher |
| Fit Engineer: bellali | | | | | | | |
| Design: | S3MS49195 | Sample LO: | | Production LO: | India | | |
| Style | Material Style | Style Description | Pattern | Base Size | Size Scale | Fit | SMU Type |
| AM4471 | 1491953 | Washed Out™ Short | M24M8059 | 32 | 28 - 44 | Regular | Color Add |



This is confidential and proprietary information of Columbia Sportswear Company. You agree that you will not disclose this information to any third party or use it for any purpose other than on behalf of Columbia. You have no right to use Columbia's name or any of its trademarks, trade names, copyrights, patents, designs or other intellectual property except as set forth in writing by Columbia.

Colorless BOM

Line Slot: Washed Out Short State: Production Season: S25
 Merchandise Division: Sportswear Merchandise Collection: Outdoor Product Class: Woven Short
 Designer: Sara.Allegre Developer: bellali LO Developer: kgokul Sourcing Manager: melissa.gallagher
 Fit Engineer: bellali
 Design: S3MS49195 Sample LO: Production LO: India
 Style Material Style Style Description Pattern Base Size Size Scale Fit SMU Type
 AM4471 1491953 Washed Out™ Short M24M8059 32 28 - 44 Regular Color Add



| Component | Details | Placement | Usage | Width | Marker Width |
|--------------------------|--|--------------------|--------------|-------|--------------|
| SAP Material Code | | | | | |
| Shell 1 | 013283 Poplin 4.26oz/sy Poplin 100% Cotton 134 X 97 40x40 Sanded/Peached (technical face) MaterialCoatingNone MaterialLaminateNone 146.0 g/m2 Piece Dye/Pad NA | | 0.95 yd | 56.0 | 55 |
| Lining 1 | 100267 Pocketing (T/C) Poplin 65% Polyester, 35% Cotton 110 X 76 45 pc X 45 pc Mercerized 105.0 g/m2 Scouring-Bleaching NA | | 0.42 yd | 56.0 | 43 |
| Interfacing 1 | 011952 Interlining Non-Woven Fusible Light Weight for Garment Wash Interlining 100% Polyester 0.0 g/m2 | | 0.15 yd | 60.0 | 60 |
| Button 1 | 098784 28L Debossed Columbia Dark Horn/Light Horn (No DTM) Low profile Plastic Button | | 1 ea | 0.0 | 0 |
| Label Logo 1 | 077256 35mm Gem Columbia Flat Woven Label with starch | | 1 ea | 0.0 | 0 |
| Thread 1 | 061708 Coats Astra Tex 40 spun poly for sewing lightweight woven and knits | Interior Waistband | 3 meter | 0.0 | 0 |
| Thread 2 | 013264 Coats ASTRA Spun Poly Tex 60 for sewing lightweight woven and knits | | 26 meter | 0.0 | 0 |
| Thread 3 | 061708 Coats Astra Tex 40 spun poly for sewing lightweight woven and knits | | 40 meter | 0.0 | 0 |
| Thread 4 | 008214 Coats ASTRA Spun Polyester Tex 27 40/2 | | 190 meter | 0.0 | 0 |
| Zipper 1 | 126123 CFC-36 DA E B-E Clsd AutoLk Enml Sldr/PI EnmlBtmStp Length: 4.0 | | 1 ea | 0.0 | 0 |
| Label 1 | 059199 40mm CSC Main /International ECO Size Woven Loop Label 3 clr | | 1 ea | 0.0 | 0 |
| Label 2 | 006564 33mm Care Content ECO Booklet Fold label with fully translated country of origin WHT/BLK for most, BLK/WHT for Titanium only, GRY/BLK is for Garment DYE ONLY | | 1 ea | 0.0 | 0 |
| Hangtag Package Part | 097305 Columbia No Tech Hangtag | | 1 ea | 0.0 | 0 |
| Hangtag Package Part | 121612 MSRP/UPC with RFID Specs for MSRP. Please refer to VAS specs for any exceptions. MSRP required on all product shipping to the US. | | 1 ea | 0.0 | 0 |

Color Specification

Line Slot: Washed Out Short

State: Production

Season: S25

Merchandise Division: Sportswear

Merchandise Collection: Outdoor

Product Class: Woven Short

Designer: Sara.Allegre

Developer: bellali

LO Developer: kgokul

Sourcing Manager: melissa.gallagher

Fit Engineer: bellali



Design: S3MS49195

Sample LO:

Production LO: India

Style Material Style

Style Description

Pattern

Base Size

Size Scale

Fit

SMU Type

AM4471

1491953

Washed Out™
Short

M24M8059

32

28 - 44

Regular

Color Add

| Component - Material | 010-Black | 022-Grey Ash | 161-Fossil | 245-Crouton | 347-Safari | 364-River Blue | 365-Sage | 421-India Ink | 432-Ripple Blue | 614-Mountain Red |
|-------------------------------|------------------------------------|------------------------------------|------------------------------------|------------------------------------|------------------------------------|------------------------------------|------------------------------------|------------------------------------|------------------------------------|------------------------------------|
| Shell 1 - 013283 | Black | Grey Ash | Fossil | Crouton | Safari | River Blue | Sage | India Ink | Ripple Blue | Mountain Red |
| Zipper 1 - 126123 | | | | | | | | | | |
| Lining 1 - 100267 | White | White | White | White | White | White | White | White | White | White |
| Interfacing 1 - 011952 | | | | | | | | | | |
| Button 1 - 098784 | Dark Horn | Dark Horn | Light Horn | Dark Horn | Light Horn | Dark Horn | Dark Horn | Dark Horn | Light Horn | Light Horn |
| Label Logo 1 - 077256 | Grill, Columbia Grey | Grill, Columbia Grey | Columbia Grey, Grill | Grill, Columbia Grey | Grill, Columbia Grey | Grill, Columbia Grey | Black, White | Columbia Grey, Grill | Grill, Columbia Grey | Grill, Columbia Grey |
| Thread 1 - 061708 | DTM | DTM | DTM | DTM | DTM | DTM | Shark | DTM | DTM | DTM |
| Thread 2 - 013264 | DTM | DTM | DTM | DTM | DTM | DTM | Sage | DTM | DTM | DTM |
| Thread 3 - 061708 | DTM | DTM | DTM | DTM | DTM | DTM | DTM | DTM | DTM | DTM |
| Thread 4 - 008214 | | | | | | | | | | |
| Label 1 - 059199 | White, Columbia Grey, Compass Blue | White, Columbia Grey, Compass Blue | White, Columbia Grey, Compass Blue | White, Columbia Grey, Compass Blue | White, Columbia Grey, Compass Blue | White, Columbia Grey, Compass Blue | White, Columbia Grey, Compass Blue | White, Columbia Grey, Compass Blue | White, Columbia Grey, Compass Blue | White, Columbia Grey, Compass Blue |
| Label 2 - 006564 | White, Black | White, Black | White, Black | White, Black | White, Black | White, Black | White, Black | White, Black | White, Black | White, Black |
| Hangtag Package Part - 097305 | Artwork | Artwork | Artwork | Artwork | Artwork | Artwork | Artwork | Artwork | Artwork | Artwork |
| Hangtag Package Part - 121612 | | | | | | | | | | |
| Hangtag Package Part - 127015 | | | | | | | | | | |
| Packaging 2 - 980010 | | | | | | | | | | |
| Packaging 1 - 980001 | Stock | Stock | Stock | Stock | Stock | Stock | Stock | Stock | Stock | Stock |
| Packaging 3 - 064194 | | | | | | | | | | |

Color Specification

| | | | | | | | |
|----------------------------------|----------------|---------------------------------|----------|-------------------------------------|------------|---------|-----------|
| Line Slot: Washed Out Short | | State: Production | | Season: S25 | | | |
| Merchandise Division: Sportswear | | Merchandise Collection: Outdoor | | Product Class: Woven Short | | | |
| Designer: Sara.Allegre | | Developer: bellali | | LO Developer: kgokul | | | |
| Fit Engineer: bellali | | | | Sourcing Manager: melissa.gallagher | | | |
| Design: | S3MS49195 | Sample LO: | | Production LO: | India | | |
| Style | Material Style | Style Description | Pattern | Base Size | Size Scale | Fit | SMU Type |
| AM4471 | 1491953 | Washed Out™ Short | M24M8059 | 32 | 28 - 44 | Regular | Color Add |



| | |
|-------------------------------|------------------------------------|
| Component - Material | 851-Tuscan |
| Shell 1 - 013283 | Tuscan |
| Zipper 1 - 126123 | Tuscan |
| Lining 1 - 100267 | White |
| Interfacing 1 - 011952 | White |
| Button 1 - 098784 | Light Horn |
| Label Logo 1 - 077256 | Grill, Columbia Grey |
| Thread 1 - 061708 | DTM |
| Thread 2 - 013264 | DTM |
| Thread 3 - 061708 | DTM |
| Thread 4 - 008214 | DTM |
| Label 1 - 059199 | White, Columbia Grey, Compass Blue |
| Label 2 - 006564 | White, Black |
| Hangtag Package Part - 097305 | Artwork |
| Hangtag Package Part - 121612 | |
| Hangtag Package Part - 127015 | |
| Packaging 2 - 980010 | Stock |
| Packaging 1 - 980001 | |
| Packaging 3 - 064194 | |

This is confidential and proprietary information of Columbia Sportswear Company. You agree that you will not disclose this information to any third party or use it for any purpose other than on behalf of Columbia. You have no right to use Columbia's name or any of its trademarks, trade names, copyrights, patents, designs or other intellectual property except as set forth in writing by Columbia.

Costing BOM

Line Slot: Washed Out Short

State: Production

Season: S25

Merchandise Division: Sportswear

Merchandise Collection: Outdoor

Product Class: Woven Short

Designer: Sara.Allegre

Developer: bellali

LO Developer: kgokul

Sourcing Manager: melissa.gallagher

Fit Engineer: bellali



Design: S3MS49195

Sample LO:

Production LO: India

Style Material Style

Style Description Pattern

Base Size Size Scale

Fit

SMU Type

AM4471

1491953

Washed Out™ Short
M24M8059

32

28 - 44

Regular

Color Add

| Colorway Number | Color Way | FOB Material | CIF Material | FOB Trim | CIF Trim | Allowance % | Total FOB | Total CIF |
|-----------------|--------------|--------------|--------------|----------|----------|-------------|-----------|-----------|
| 010 | Black | 2.265 | 0.000 | 0.371 | 0.000 | 0.0 | 2.636 | 0.000 |
| 022 | Grey Ash | 2.265 | 0.000 | 0.371 | 0.000 | 0.0 | 2.636 | 0.000 |
| 161 | Fossil | 2.265 | 0.000 | 0.371 | 0.000 | 0.0 | 2.636 | 0.000 |
| 245 | Crouton | 2.265 | 0.000 | 0.371 | 0.000 | 0.0 | 2.636 | 0.000 |
| 347 | Safari | 2.265 | 0.000 | 0.371 | 0.000 | 0.0 | 2.636 | 0.000 |
| 364 | River Blue | 2.265 | 0.000 | 0.371 | 0.000 | 0.0 | 2.636 | 0.000 |
| 365 | Sage | 2.265 | 0.000 | 0.371 | 0.000 | 0.0 | 2.636 | 0.000 |
| 421 | India Ink | 2.265 | 0.000 | 0.371 | 0.000 | 0.0 | 2.636 | 0.000 |
| 432 | Ripple Blue | 2.265 | 0.000 | 0.371 | 0.000 | 0.0 | 2.636 | 0.000 |
| 614 | Mountain Red | 2.265 | 0.000 | 0.371 | 0.000 | 0.0 | 2.636 | 0.000 |
| 851 | Tuscan | 2.265 | 0.000 | 0.371 | 0.000 | 0.0 | 2.636 | 0.000 |

Costing BOM

Line Slot: Washed Out Short
 Merchandise Division: Sportswear
 Designer: Sara.Allegre
 Fit Engineer: bellali

Merchandise Collection: Outdoor
 Developer: bellali

State: Production
 Product Class: Woven Short
 LO Developer: kkokul

Season: S25
 Sourcing Manager: melissa.gallagher



| | | | |
|-------------------|------------------------|---|--------------------|
| Design: S3MS49195 | Sample LO: | Production LO: India | |
| Style AM4471 | Material Style 1491953 | Style Description Pattern Washed Out™ Short | M24M8059 |
| | | Base Size 32 | Size Scale 28 - 44 |
| | | Fit Regular | SMU Type Color Add |

| Component | Material | Description | Fabric Width | Supplier | Locked | Country of Origin | Managin g Liaison Office | UoM | Target Cost | FOB Unit Cost | CIF Unit Cost | Usage | Wastage % | Total FOB | Total CIF |
|---------------|----------|---|--------------|--|--------|-------------------|--------------------------|-----|-------------|---------------|---------------|-------|-----------|-----------|-----------|
| Shell 1 | 013283 | Poplin 4.26oz/sy | 56.0 | SHAHI EXPORT S PVT. LTD. WPD-SHIVAM OGGA | Y | India | India | yd | 1.9 | 1.78 | 0.0 | 0.950 | 9 | 1.843 | 0.000 |
| Lining 1 | 100267 | Pocketing (T/C) | 56.0 | FGV - Shahi Exports Pvt. (SEP) Ltd. | N | India | India | yd | 0.0 | 0.79 | 0.0 | 0.420 | 9 | 0.362 | 0.000 |
| Interfacing 1 | 011952 | Interlining Non-Woven Fusible Light Weight for Garment Wash | 60.0 | PCC asia LLC | Y | China | India | yd | 0.0 | 0.37 | 0.0 | 0.150 | 9 | 0.060 | 0.000 |

Costing BOM

Line Slot: Washed Out Short

State: Production

Season: S25

Merchandise Division: Sportswear

Merchandise Collection: Outdoor

Product Class: Woven Short

Designer: Sara.Allegre

Developer: bellali

LO Developer: kgokul

Sourcing Manager: melissa.gallagher

Fit Engineer: bellali



Design: S3MS49195

Sample LO:

Production LO: India

Style Material Style

Style Description Pattern

Base Size Size Scale

Fit

SMU Type

AM4471

1491953

Washed Out™ Short M24M8059

32

28 - 44

Regular

Color Add

| Component | Material | Description | Fabric Width | Supplier | Locked | Country of Origin | Managin g Liaison Office | UoM | Target Cost | FOB Unit Cost | CIF Unit Cost | Usage | Wastage % | Total FOB | Total CIF |
|--------------|----------|--|--------------|------------------------------|--------|-------------------|--------------------------|-------|-------------|---------------|---------------|--------|-----------|-----------|-----------|
| Button 1 | 098784 | 28L Debossed Columbia Dark Horn/Light Horn (No DTM) Low profile Plastic Button | 0.0 | BANGAL ORE SALES CORPORATION | Y | India | India | ea | 0.0 | 0.0167 | 0.0 | 1.000 | 2.0 | 0.017 | 0.000 |
| Label Logo 1 | 077256 | 35mm Gem Columbia Flat Woven Label with starch | 0.0 | Manohar Filaments | Y | India | India | ea | 0.0 | 0.0194 | 0.0 | 1.000 | 3.0 | 0.020 | 0.000 |
| Thread 1 | 061708 | Coats Astra Tex 40 spun poly for sewing lightweight woven and knits | 0.0 | Coats Global Thread | N | unassigne d | Portland | meter | 0.0 | 0.00043 | 0.0 | 3.000 | 5.0 | 0.001 | 0.000 |
| Thread 2 | 013264 | Coats ASTRA Spun Poly Tex 60 for sewing lightweight woven and knits | 0.0 | Coats Global Thread | N | unassigne d | Portland | meter | 0.0 | 0.00052 | 0.0 | 26.000 | 5.0 | 0.014 | 0.000 |

Costing BOM

Line Slot: Washed Out Short

State: Production

Season: S25

Merchandise Division: Sportswear

Merchandise Collection: Outdoor

Product Class: Woven Short

Designer: Sara.Allegre

Developer: bellali

LO Developer: kkokul

Sourcing Manager: melissa.gallagher

Fit Engineer: bellali



Design: S3MS49195

Sample LO:

Production LO: India

Style Material Style

Style Description Pattern

Base Size Size Scale

Fit SMU Type

AM4471 1491953

Washed Out™ Short M24M8059

32 28 - 44

Regular Color Add

| Component | Material | Description | Fabric Width | Supplier | Locked | Country of Origin | Managing Liaison Office | UoM | Target Cost | FOB Unit Cost | CIF Unit Cost | Usage | Wastage % | Total FOB | Total CIF |
|-----------|----------|---|--------------|-----------------------|--------|-------------------|-------------------------|-------|-------------|---------------|---------------|---------|-----------|-----------|-----------|
| Thread 3 | 061708 | Coats Astra Tex 40 spun poly for sewing lightweight woven and knits | 0.0 | Coats Global Thread | N | unassigned | Portland | meter | 0.0 | 0.00043 | 0.0 | 40.000 | 5.0 | 0.018 | 0.000 |
| Thread 4 | 008214 | Coats ASTRA Spun Polyester Tex 27 40/2 | 0.0 | Coats Global Thread | N | unassigned | Portland | meter | 0.0 | 0.0003 | 0.0 | 190.000 | 5.0 | 0.060 | 0.000 |
| Zipper 1 | 126123 | CFC-36 DA E B-E Clsd AutoLk Enml Sldr/PI EnmlBtmStp | 0.0 | Ideal Fastener Global | N | unassigned | Portland | ea | 0.0 | 0.065 | 0.0 | 1.000 | 1.0 | 0.070 | 0.000 |
| Label 1 | 059199 | 40mm CSC Main /International ECO Size Woven Loop Label 3 clr | 0.0 | Manohar Filaments | Y | India | India | ea | 0.0 | 0.0404 | 0.0 | 1.000 | 3.0 | 0.042 | 0.000 |

Costing BOM

Line Slot: Washed Out Short

State: Production

Season: S25

Merchandise Division: Sportswear

Merchandise Collection: Outdoor

Product Class: Woven Short

Designer: Sara.Allegre

Developer: bellali

LO Developer: kkokul

Sourcing Manager: melissa.gallagher

Fit Engineer: bellali



Design: S3MS49195

Sample LO:

Production LO: India

Style Material Style

Style Description Pattern

Base Size Size Scale

Fit

SMU Type

AM4471

1491953

Washed Out™ Short
M24M8059

32

28 - 44

Regular

Color Add

| Component | Material | Description | Fabric Width | Supplier | Locked | Country of Origin | Managing Liaison Office | UoM | Target Cost | FOB Unit Cost | CIF Unit Cost | Usage | Wastage % | Total FOB | Total CIF |
|----------------------|----------|---|--------------|-----------------------|--------|-------------------|-------------------------|-----|-------------|---------------|---------------|-------|-----------|-----------|-----------|
| Label 2 | 006564 | 33mm Care Content ECO Booklet Fold label with fully translated country of origin WHT/BLK for most, BLK/WHT for Titanium only, GRY/BLK is for Garment DYE ONLY | 0.0 | Avery Dennison Global | N | China | Portland | ea | 0.0 | 0.016 | 0.0 | 1.000 | 3.0 | 0.016 | 0.000 |
| Hangtag Package Part | 097305 | Columbia No Tech Hangtag | 0.0 | Bao Shen (Apparel) | N | Vietnam | Portland | ea | 0.0 | 0.014 | 0.0 | 1.000 | 3.0 | 0.014 | 0.000 |

Costing BOM

Line Slot: Washed Out Short
 Merchandise Division: Sportswear
 Designer: Sara.Allegre
 Fit Engineer: bellali

Merchandise Collection: Outdoor
 Developer: bellali

State: Production
 Product Class: Woven Short
 LO Developer: kgokul

Season: S25
 Sourcing Manager: melissa.gallagher



| | | | |
|-------------------|------------------------|---|--------------------|
| Design: S3MS49195 | Sample LO: | Production LO: India | |
| Style AM4471 | Material Style 1491953 | Style Description Pattern Washed Out™ Short | M24M8059 |
| | | Base Size 32 | Size Scale 28 - 44 |
| | | Fit Regular | SMU Type Color Add |

| Component | Material | Description | Fabric Width | Supplier | Locked | Country of Origin | Managing Liaison Office | UoM | Target Cost | FOB Unit Cost | CIF Unit Cost | Usage | Wastage % | Total FOB | Total CIF |
|----------------------|----------|---|--------------|-------------------------|--------|-------------------|-------------------------|-----|-------------|---------------|---------------|-------|-----------|-----------|-----------|
| Hangtag Package Part | 121612 | MSRP/UPC with RFID Specs for MSRP. Please refer to VAS specs for any exceptions. MSRP required on all product shipping to the US. | 0.0 | Avery Dennison Global | N | unassigned | Portland | ea | 0.0 | 0.04875 | 0.0 | 1.000 | 5.0 | 0.051 | 0.000 |
| Hangtag Package Part | 127015 | Mens Shorts Regular Joker | 0.0 | Hang Sang Press Co. Ltd | N | unassigned | Portland | ea | 0.0 | 0.036 | 0.0 | 1.000 | 0.0 | 0.036 | 0.000 |
| Packaging 1 | 980001 | Polybag See Standard CCS 4200 for specifications | 0.0 | Contractor | N | unassigned | Hong Kong | ea | 0.0 | 0.0 | 0.0 | 1.000 | 3.0 | 0.000 | 0.000 |

Costing BOM

Line Slot: Washed Out Short

State: Production

Season: S25

Merchandise Division: Sportswear

Merchandise Collection: Outdoor

Product Class: Woven Short

Designer: Sara.Allegre

Developer: bellali

LO Developer: kkokul

Sourcing Manager: melissa.gallagher

Fit Engineer: bellali



Design: S3MS49195

Sample LO:

Production LO: India

Style Material Style

Style Description Pattern

Base Size Size Scale

Fit SMU Type

AM4471

1491953

Washed Out™ Short
M24M8059

32

28 - 44

Regular

Color Add

| Component | Material | Description | Fabric Width | Supplier | Locked | Country of Origin | Managing Liaison Office | UoM | Target Cost | FOB Unit Cost | CIF Unit Cost | Usage | Wastage % | Total FOB | Total CIF |
|-------------|----------|--|--------------|-----------------------------|--------|-------------------|-------------------------|-----|-------------|---------------|---------------|-------|-----------|-----------|-----------|
| Packaging 2 | 980010 | UPC Bag Sticker Generic (MHW/Columbia) See CCS4400/ 4401 and MHW4402 for Mt Hardware for instructions | 0.0 | Avery Dennison Global | Y | China | Portland | ea | 0.0 | 0.011 | 0.0 | 1.000 | 5.0 | 0.012 | 0.000 |
| Packaging 3 | 064194 | Outer Carton for costing purpose only | 0.0 | Contractor | N | unassigned | Hong Kong | ea | 0.0 | 0.0 | 0.0 | 1.000 | 3.0 | 0.000 | 0.000 |

Costing BOM

| | | | | | | | |
|----------------------------------|----------------|---------------------------------|----------|-------------------------------------|------------|---------|-----------|
| Line Slot: Washed Out Short | | State: Production | | Season: S25 | | | |
| Merchandise Division: Sportswear | | Merchandise Collection: Outdoor | | Product Class: Woven Short | | | |
| Designer: Sara.Allegre | | Developer: bellali | | LO Developer: kgokul | | | |
| Fit Engineer: bellali | | | | Sourcing Manager: melissa.gallagher | | | |
| Design: | S3MS49195 | Sample LO: | | Production LO: | India | | |
| Style | Material Style | Style Description | Pattern | Base Size | Size Scale | Fit | SMU Type |
| AM4471 | 1491953 | Washed Out™ Short | M24M8059 | 32 | 28 - 44 | Regular | Color Add |



This is confidential and proprietary information of Columbia Sportswear Company. You agree that you will not disclose this information to any third party or use it for any purpose other than on behalf of Columbia. You have no right to use Columbia's name or any of its trademarks, trade names, copyrights, patents, designs or other intellectual property except as set forth in writing by Columbia.

Care Report

| | | | | | | | |
|----------------------------------|----------------|---------------------------------|----------|-------------------------------------|------------|---------|-----------|
| Line Slot: Washed Out Short | | State: Production | | Season: S25 | | | |
| Merchandise Division: Sportswear | | Merchandise Collection: Outdoor | | Product Class: Woven Short | | | |
| Designer: Sara.Allegre | | Developer: bellali | | LO Developer: kgokul | | | |
| Fit Engineer: bellali | | | | Sourcing Manager: melissa.gallagher | | | |
| Design: | S3MS49195 | Sample LO: | | Production LO: | India | | |
| Style | Material Style | Style Description | Pattern | Base Size | Size Scale | Fit | SMU Type |
| AM4471 | 1491953 | Washed Out™ Short | M24M8059 | 32 | 28 - 44 | Regular | Color Add |



| Care Code: 1080 | | Color Way Number | Color Way Name |
|-------------------------------|--|------------------|----------------|
| English | Machine Wash Cold Gentle, With Like Colors, Non-Chlorine Bleach When Needed, Tumble Dry Low, Remove Promptly, Iron Medium, If Present Do Not Iron Decal, Drycleanable | 010 | Black |
| French | Lavage machine à froid, Cycle délicat, Avec des couleurs similaires, Blanchir sans chlore si besoin, Séchage machine, basse température, Sortir immédiatement de la machine, Repasser à température moyenne, Le cas échéant, ne pas repasser la décalcomanie, Nettoyable à sec | 022 | Grey Ash |
| German | Schonwaschgang mit kaltem Wasser, Mit gleichen Farben, Nach Bedarf chlorfreies Bleichmittel verwenden, Trocknen im Wäschetrockner bei niedrigerer Temperatur, Sofort aus dem Trockner nehmen, Bügeln mit mittlerer Temperatur, Falls vorhanden, Dekorbild nicht bügeln, Reinigungsfähig | 161 | Fossil |
| | | 245 | Crouton |
| | | 347 | Safari |
| Portuguese | Lavar à maquina com água fria, ciclo para roupas delicadas, Com cores similares, Alvejar sem cloro quando necessário, Secar à máquina em temperatura baixa, Remover prontamente, Passar a ferro em temperatura média, Se presente, não passar o ferro sobre o decalque, Lavável a seco | 364 | River Blue |
| | | 365 | Sage |
| Spanish | Lavar a maquina con agua fría, en ciclo delicado, Lavar con colores similares, Use lejía sin cloro cuando sea necesario, Usar secadora a temperatura baja, Retirar inmediatamente, Planchar a temperatura media, En su caso, no planche la pegatina, Lavable en seco | 421 | India Ink |
| | | 432 | Ripple Blue |
| Italian | Lavare in lavatrice in acqua fredda, ciclo delicato, Con colori simili, Solo candeggina senza cloro se necessario, Asciugare a tamburo a bassa temperatura, Rimuovere tempestivamente, Stirare con ferro a temperatura media, Se presente, non stirare la decalcomania, Lavabile a secco | 614 | Mountain Red |
| Russian | Щадящая машинная стирка в холодной воде, Стирать с изделиями подобного цвета, Отбеливать без хлора, Сушить при низкой температуре, Сразу убрать из сушилки, Гладить при средней температуре, Если есть, не гладить наклейки и роспись на текстиле, Химчистка допускается | 851 | Tuscan |
| Czech Republican | Praní v pračce při nízké teplotě, jemný cyklus, S podobnými barvami, V případě potřeby bělit bez chlóru, Sušení v sušičce, nízká teplota, Ihned odepnout, Žehlení při střední teplotě, Nežehlit obtisky, jsou-li přítomny, Vhodné k chemickému čištění | | |
| Hebrew | כביסה במכונה במים קרים, כביסה עדינה, עם צבעים דומים, מלבין ללא כלור, בעת הצורך, לייבש במייבש כביסה בחום נמוך, להסיר מיד, לרהיץ בחום בינוני, אם ישנה, לא לרהיץ את מדבקת הדקאל, ניתן לנקות בניקוי יבש | | |
| Hungarian | Géppel mossa, hideg vízzel, kímélő programmal, Hasonló színűekkel, Szükség esetén klórmentes fehéritőt használjon, Szárítógépben alacsony hőfokon szárítsa, Mosás után azonnal vegye ki a gépből, Közepes hőfokon vasalja, Ha van az anyagon matrica, azt ne vasalja, Vegytisztítható | | |
| Polish | Prać w temperaturze nie przekraczającej 30°C, cykl delikatny, Prać z podobnymi kolorami, Wybielać niechlorowym wybielaczem w razie potrzeb, Można suszyć bębnowo, niska temperatura, Natychmiast usunąć, Prasować w temperaturze do 150°C, Nie prasować ozdób, jeśli są obecne, Można czyścić chemicznie | | |
| Portuguese Brazil | Lavar à maquina com água fria, ciclo para roupas delicadas, Com cores similares, Alvejar sem cloro quando necessário, Secar em tambor rotativo em temperatura baixa, Remover prontamente, Passar a ferro em temperatura média, Se presente, não passar o ferro sobre o decalque, Lavável a seco | | |
| Slovakian | Perte v pračce v studenej vode, šetriaci program, Spolu len podobné farby, V prípade potreby použite odfarbovací prostriedok bez obsahu chlóru, Sušte v bubnovej sušičke pri nízkych otáčkach, Okamžite odstráňte, Žehlite mierne teplou žehličkou, Ak má štítok, nežehlite ho, Môže sa čistiť chemicky | | |
| Slovenian | Nežno mrzlo strojno pranje, Z podobnimi barvami, Belite brez klora po potrebi, Nizko strojno sušenje, Odstraniti takoj, Srednje likanje, Če obstaja, ne likati nalepk, Za suho čiščenje | | |
| Spanish Latin American | Lavar a maquina con agua fría, en ciclo delicado, Lavar con colores similares, Usar blanqueador sin cloro cuando sea necesario, Usar secadora a temperatura baja, Retirar inmediatamente, Planchar a temperatura media, En su caso, no planche el diseño impreso, Lavable en seco | | |
| Turkish | Makinada Yıkanır, Soğuk, Narin Program, Aynı Renklerle Yıkayın, Gerekirse Klor İçermeyen Ağartıcı Kullanın, Tambur Kurutma, Düşük, Hemen Çıkarın, Orta Isıda Ütöleyin, Varsa Çıkartmayı Ütölemeyin, Kuru Temizleme Yapılır | | |
| Chinese Simplified | 冷水慢循环机洗, 可与相近色同洗, 在必要时进行非氯漂白, 低温滚筒烘干, 及时拆除, 中温熨烫, 如有, 请勿熨烫贴花, 可干洗 | | |

Content Report

| | | | | | | | |
|----------------------------------|---------------------------------|-------------------------------------|------------------|--------------|--------------------|-------------|--------------------|
| Line Slot: Washed Out Short | State: Production | Season: S25 | | | | | |
| Merchandise Division: Sportswear | Merchandise Collection: Outdoor | Product Class: Woven Short | | | | | |
| Designer: Sara.Allegre | Developer: bellali | LO Developer: kgokul | | | | | |
| Fit Engineer: bellali | | Sourcing Manager: melissa.gallagher | | | | | |
| Design: S3MS49195 | Sample LO: | Production LO: India | | | | | |
| Style AM4471 | Material Style 1491953 | Style Description Washed Out™ Short | Pattern M24M8059 | Base Size 32 | Size Scale 28 - 44 | Fit Regular | SMU Type Color Add |



| CONTENT CODE: AWX | | Color Way Number | Color Way Name |
|---|--|------------------|----------------|
| Shell: 100% Cotton | | | |
| Lining: 65% Polyester, 35% Cotton Exclusive of Trimming | | 010 | Black |
| FRENCH | Extérieur: 100% Coton | 851 | Tuscan |
| | Doublure: 65% Polyester, 35% Coton Sauf les bordures | 347 | Safari |
| GERMAN | Außenhülle: 100% Baumwolle | 614 | Mountain Red |
| | Futter: 65% Polyester, 35% Baumwolle Ohne Besatz | 365 | Sage |
| PORTUGUESE | Exterior: 100% Algodão | 432 | Ripple Blue |
| | Revestimento: 65% Poliéster, 35% Algodão Sem orlas | 022 | Grey Ash |
| SPANISH | Cubierta: 100% Algodón | 161 | Fossil |
| | Revestimiento: 65% Poliéster, 35% Algodón Exclusivo de los ribetes | 245 | Crouton |
| ITALIAN | Guscio esterno: 100% Cotone | 421 | India Ink |
| | Fodera: 65% Poliestere, 35% Cotone Ad eccezione dei bordini | 364 | River Blue |
| RUSSIAN | Оболочка: 100% Хлопок | | |
| | Подклад: 65% Полиэфир, 35% Хлопок Без дополнительных деталей | | |
| CZECH REPUBLICAN | Skořepina: 100% Bavlna | | |
| | Podšívka: 65% Polyester, 35% Bavlna Bez nášivek | | |
| HEBREW | מעטפת חיצונית: 100% כותנה בטנה: 65% פוליאסטר, 35% כותנה ללא קישוט | | |
| HUNGARIAN | Külső: 100% Pamut | | |
| | Bélés: 65% Poliészter, 35% Pamut Szegélydíszen kívül | | |
| POLISH | Powłoka: 100% Bawełna | | |
| | Podszewka: 65% Poliester, 35% Bawełna Wyłączając naszywki | | |
| PORTUGUESE BRAZIL | Exterior: 100% Algodão | | |
| | Forro: 65% Poliéster, 35% Algodão Sem adornos | | |
| SLOVAKIAN | Plášť: 100% Bavlna | | |
| | Podšívka: 65% Polyester, 35% Bavlna Okrem lemovania | | |
| SLOVENIAN | Lupina: 100% Bombaž | | |
| | Podloga: 65% Poliester, 35% Bombaž Brez obrezovanja | | |
| SPANISH LATIN AMERICAN | Cubierta: 100% Algodón | | |
| | Revestimiento: 65% Poliéster, 35% Algodón Exclusivo de los ribetes | | |
| TURKISH | Kabuk: 100% Pamuk | | |
| | Astar: 65% Polyester, 35% Pamuk Süsler Hariç | | |

Content Report

| | | | | | | | |
|----------------------------------|----------------|---------------------------------|----------|-------------------------------------|------------|---------|-----------|
| Line Slot: Washed Out Short | | State: Production | | Season: S25 | | | |
| Merchandise Division: Sportswear | | Merchandise Collection: Outdoor | | Product Class: Woven Short | | | |
| Designer: Sara.Allegre | | Developer: bellali | | LO Developer: kgokul | | | |
| Fit Engineer: bellali | | | | Sourcing Manager: melissa.gallagher | | | |
| Design: | S3MS49195 | Sample LO: | | Production LO: | India | | |
| Style | Material Style | Style Description | Pattern | Base Size | Size Scale | Fit | SMU Type |
| AM4471 | 1491953 | Washed Out™ Short | M24M8059 | 32 | 28 - 44 | Regular | Color Add |



| | | |
|----------------------------|-------------------|--|
| CHINESE SIMPLIFIED | 外壳: | 100% 棉 |
| | 衬里: | 65% 聚酯, 35% 棉 不包括装饰品 |
| CHINESE TRADITIONAL | 外壳: | 100% 棉 |
| | 衬里: | 65% 聚酯, 35% 棉 不包括装饰品 |
| JAPANESE | シエル: | 100% 綿 |
| | 裏地: | 65% ポリエステル, 35% 綿 装饰品を除く |
| KOREAN | : | 100% |
| | : | 65% , 35% |
| DANISH | Skal: | 100% Bomuld |
| | Foring: | 65% Polyester, 35% Bomuld Inkluderer ikke kant |
| NORWEGIAN | Skall: | 100% Bomull |
| | Foring: | 65% Polyester, 35% Bomull Eksklusiv trimming |
| SWEDISH | Ytterdel: | 100% Bomull |
| | Foder: | 65% Polyester, 35% Bomull Utan trimming |
| DUTCH | Schelp: | 100% Katoen |
| | Bekleding: | 65% Polyester, 35% Katoen Exclusief trimmen |
| FRENCH CANADIAN | Extérieur: | 100% Coton |
| | Doublure: | 65% Polyester, 35% Coton Exclut les bordures |

Pattern Piece Detail



| | | | | | | | |
|----------------------------------|---------------------------------|----------------------------|-------------------------------------|-------------|------------|---------|-----------|
| Line Slot: Washed Out Short | | State: Production | | Season: S25 | | | |
| Merchandise Division: Sportswear | Merchandise Collection: Outdoor | Product Class: Woven Short | | | | | |
| Designer: Sara.Allegre | Developer: bellali | LO Developer: kgokul | Sourcing Manager: melissa.gallagher | | | | |
| Fit Engineer: bellali | | | | | | | |
| Design: | S3MS49195 | Sample LO: | Production LO: | India | | | |
| Style | Material Style | Style Description | Pattern | Base Size | Size Scale | Fit | SMU Type |
| AM4471 | 1491953 | Washed Out™ Short | M24M8059 | 32 | 28 - 44 | Regular | Color Add |

M24M8059 -

| Component | Quantity | Long Description | Abbreviation | Code |
|-----------|----------|------------------|--------------|------|
|-----------|----------|------------------|--------------|------|

This is confidential and proprietary information of Columbia Sportswear Company. You agree that you will not disclose this information to any third party or use it for any purpose other than on behalf of Columbia. You have no right to use Columbia's name or any of its trademarks, trade names, copyrights, patents, designs or other intellectual property except as set forth in writing by Columbia.

Measurements

Line Slot: Washed Out Short
 Merchandise Division: Sportswear
 Designer: Sara.Allegre
 Fit Engineer: bellali

Merchandise Collection: Outdoor
 Developer: bellali

State: Production
 Product Class: Woven Short
 LO Developer: kgokul

Season: S25
 Sourcing Manager: melissa.gallagher



| | | | | | | | | | | | | | | |
|---------|----------------|-------------------|----------|----------------|------------|---------|-----------|--|--|--|--|--|--|--|
| Design: | S3MS49195 | Sample LO: | | Production LO: | India | | | | | | | | | |
| Style | Material Style | Style Description | Pattern | Base Size | Size Scale | Fit | SMU Type | | | | | | | |
| AM4471 | 1491953 | Washed Out™ Short | M24M8059 | 32 | 28 - 44 | Regular | Color Add | | | | | | | |

| Sort Order | Use | Type | Placem ent | (+/-) | 28 | 30 | 32 | 34 | 36 | 38 | 40 | 42 | 44 | |
|--|--|------|------------|-------|-----|--------|--------|---------------|--------|--------|--------|--------|--------|--------|
| Grade Rule: CSC Mens Sportswear Shorts (Numeric) - 28-46 (32) - NT - Block: null | | | | | | | | | | | | | | |
| 4100.0 | WAIST WIDTH AT TOP - circumference | QC | Graded | | 0.0 | 30.0 | 32.0 | 34.0 | 36.0 | 38.0 | 40.0 | 42.0 | 44.0 | 46.0 |
| 4103.0 | WAIST WIDTH AT BOTTOM - circumference | QC | Graded | | 0.0 | 31.5 | 33.5 | 35.5 | 37.5 | 39.5 | 41.5 | 43.5 | 45.5 | 47.5 |
| 4150.0 | WAISTBAND HEIGHT - bottoms | | Graded | | 0.0 | 1.75 | 1.75 | 1.75 | 1.75 | 1.75 | 1.75 | 1.75 | 1.75 | 1.75 |
| 4180.0 | BELT LOOP LENGTH | | Graded | | 0.0 | 2.0 | 2.0 | 2.0 | 2.0 | 2.0 | 2.0 | 2.0 | 2.0 | 2.0 |
| 4181.0 | BELT LOOP WIDTH | | Graded | | 0.0 | 0.5 | 0.5 | 0.5 | 0.5 | 0.5 | 0.5 | 0.5 | 0.5 | 0.5 |
| 4182.0 | BELT LOOP TOTAL QUANTITY | | Graded | | 0.0 | 5.0 | 5.0 | 5.0 | 5.0 | 5.0 | 5.0 | 7.0 | 7.0 | 7.0 |
| 4200.0 | HIP WIDTH POSITION - at side seam - including waistband | | Graded | | 0.0 | 7.25 | 7.5 | 7.75 | 8.0 | 8.25 | 8.5 | 8.75 | 9.0 | 9.25 |
| 4201.0 | HIP WIDTH POSITION - at front rise - including waistband | | Graded | | 0.0 | 7.0 | 7.25 | 7.5 | 7.75 | 8.0 | 8.25 | 8.5 | 8.75 | 9.0 |
| 4250.0 | HIP WIDTH (Bottoms) - circumference | QC | Graded | | 0.0 | 38.5 | 40.5 | 42.5 | 44.5 | 46.5 | 48.0 | 49.5 | 51.0 | 52.5 |
| 4400.0 | FRONT RISE - from top of waistband | QC | Graded | | 0.0 | 10.125 | 10.5 | 10.875 | 11.25 | 11.625 | 12.0 | 12.375 | 12.75 | 13.125 |
| 4450.0 | BACK RISE - from top of waistband | QC | Graded | | 0.0 | 15.5 | 15.875 | 16.25 | 16.625 | 17.0 | 17.375 | 17.75 | 18.125 | 18.5 |
| 4600.0 | THIGH WIDTH - circumference - 1 inch down from crotch seam | QC | Graded | | 0.0 | 24.75 | 26.0 | 27.25 | 28.5 | 29.75 | 30.625 | 31.625 | 32.5 | 33.5 |
| 4950.0 | SHORT LEG OPENING - circumference - A | QC | Graded | | 0.0 | 20.0 | 21.25 | 22.5 | 23.75 | 25.0 | 25.875 | 26.875 | 27.75 | 28.75 |

Measurements

Line Slot: Washed Out Short
 Merchandise Division: Sportswear
 Designer: Sara.Allegre
 Fit Engineer: bellali

Merchandise Collection: Outdoor
 Developer: bellali

State: Production
 Product Class: Woven Short
 LO Developer: kgokul

Season: S25
 Sourcing Manager: melissa.gallagher



| | | | |
|-------------------|------------------------|-------------------------------------|--------------------|
| Design: S3MS49195 | Sample LO: | Production LO: India | |
| Style AM4471 | Material Style 1491953 | Style Description Washed Out™ Short | Pattern M24M8059 |
| | | Base Size 32 | Size Scale 28 - 44 |
| | | Fit Regular | SMU Type Color Add |

| Sort Order | | Use | Type | Placem ent | (+/-) | 28 | 30 | 32 | 34 | 36 | 38 | 40 | 42 | 44 |
|------------|--|-----|------------|------------|-------|-------|--------|--------------|--------|-------|--------|--------|--------|-------|
| 4951.0 | SHORT LEG OPENING - circumference - B | QC | Graded | | 0.0 | 19.75 | 21.0 | 22.25 | 23.5 | 24.75 | 25.625 | 26.625 | 27.5 | 28.5 |
| 4952.0 | SHORT LEG OPENING - circumference - C | QC | Graded | | 0.0 | 19.5 | 20.75 | 22.0 | 23.25 | 24.5 | 25.375 | 26.375 | 27.25 | 28.25 |
| 5400.0 | SHORT INSEAM LENGTH - A | QC | Graded | | 0.0 | 8.0 | 8.0 | 8.0 | 8.0 | 8.0 | 8.0 | 8.0 | 8.0 | 8.0 |
| 5401.0 | SHORT INSEAM LENGTH - B | QC | Graded | | 0.0 | 10.0 | 10.0 | 10.0 | 10.0 | 10.0 | 10.0 | 10.0 | 10.0 | 10.0 |
| 5402.0 | SHORT INSEAM LENGTH - C | QC | Graded | | 0.0 | 12.0 | 12.0 | 12.0 | 12.0 | 12.0 | 12.0 | 12.0 | 12.0 | 12.0 |
| 5900.0 | SHORT OUTSEAM LENGTH - with waistband - A | QC | Graded | | 0.0 | 17.5 | 17.875 | 18.25 | 18.625 | 19.0 | 19.25 | 19.625 | 19.875 | 20.25 |
| 5901.0 | SHORT OUTSEAM LENGTH - with waistband - B | QC | Graded | | 0.0 | 19.5 | 19.875 | 20.25 | 20.625 | 21.0 | 21.25 | 21.625 | 21.875 | 22.25 |
| 5902.0 | SHORT OUTSEAM LENGTH - with waistband - C | QC | Graded | | 0.0 | 21.5 | 21.875 | 22.25 | 22.625 | 23.0 | 23.25 | 23.625 | 23.875 | 24.25 |
| 6610.0 | FRONT POCKET OPENING - horizontal from side seam - along waist seam or waist stitching | | Graded | | 0.0 | 1.25 | 1.5 | 1.5 | 1.5 | 1.75 | 1.75 | 1.75 | 2.0 | 2.0 |
| 6611.0 | FRONT POCKET OPENING - vertical from waist seam or waist stitching | | Graded | | 0.0 | 6.25 | 6.5 | 6.5 | 6.5 | 6.75 | 6.75 | 6.75 | 7.0 | 7.0 |
| 6720.0 | BACK POCKET OPENING | | Graded | | 0.0 | 5.75 | 6.0 | 6.0 | 6.0 | 6.25 | 6.25 | 6.25 | 6.5 | 6.5 |
| 3670.0 | Zipper 1 | | Compo nent | | 0.0 | 4.5 | 4.5 | 5.0 | 5.0 | 5.5 | 5.5 | 6.0 | 6.0 | 6.5 |

This is confidential and proprietary information of Columbia Sportswear Company. You agree that you will not disclose this information to any third party or use it for any purpose other than on behalf of Columbia. You have no right to use Columbia's name or any of its trademarks, trade names, copyrights, patents, designs or other intellectual property except as set forth in writing by Columbia.

Sales Sample Comments - AM4471

Line Slot: Washed Out Short

State: Production

Season: S25

Designer: Sara.Allegre

Developer: bellali

LO Developer: kgokul

Sourcing Manager: melissa.gallagher



| Style | Material Style | Style Description | Design | Pattern | Base Size | Size Scale | Sample LO | Production LO |
|--------|----------------|-------------------|-----------|----------|-----------|------------|-----------|---------------|
| AM4471 | 1491953 | Washed Out™ Short | S3MS49195 | M24M8059 | 32 | 28 - 44 | | India |

Report #: 0000062427

Office: India

Factory Code: SEP

Factory Name: SHAHI EXPORTS PVT. LTD.

Sample Sizes: 32

Estimated First Buy Date:

Factory Country of Origin: India

Comments: CC- 022,347,364,432,851

MEASUREMENT CHART - SIZE 32

| Point of Measure | Use | Type | (+/-) | Requested | LO Actual | Difference | QA Actual | Difference |
|--|-----|--------|-------|-----------|-----------|------------|-----------|------------|
| WAIST WIDTH AT TOP - circumference | QC | Graded | 0.0 | 34.0 | | | | |
| WAIST WIDTH AT BOTTOM - circumference | QC | Graded | 0.0 | 35.5 | | | | |
| HIP WIDTH (Bottoms) - circumference | QC | Graded | 0.0 | 42.5 | | | | |
| FRONT RISE - from top of waistband | QC | Graded | 0.0 | 10.875 | | | | |
| BACK RISE - from top of waistband | QC | Graded | 0.0 | 16.25 | | | | |
| THIGH WIDTH - circumference - 1 inch down from crotch seam | QC | Graded | 0.0 | 27.25 | | | | |
| SHORT LEG OPENING - circumference - A | QC | Graded | 0.0 | 22.5 | | | | |
| SHORT LEG OPENING - circumference - B | QC | Graded | 0.0 | 22.25 | | | | |
| SHORT LEG OPENING - circumference - C | QC | Graded | 0.0 | 22.0 | | | | |
| SHORT INSEAM LENGTH - A | QC | Graded | 0.0 | 8.0 | | | | |
| SHORT INSEAM LENGTH - B | QC | Graded | 0.0 | 10.0 | | | | |
| SHORT INSEAM LENGTH - C | QC | Graded | 0.0 | 12.0 | | | | |
| SHORT OUTSEAM LENGTH - with waistband - A | QC | Graded | 0.0 | 18.25 | | | | |
| SHORT OUTSEAM LENGTH - with waistband - B | QC | Graded | 0.0 | 20.25 | | | | |
| SHORT OUTSEAM LENGTH - with waistband - C | QC | Graded | 0.0 | 22.25 | | | | |

Liaison Office Comments dkalpana 4/15/2024 3:51:31 AM

Fabric

No Comments. Found shade variation & strike marks in CC 432 and 851. Bulk take care.

Trims

No Comments.

Sales Sample Comments - AM4471

Line Slot: Washed Out Short

State: Production

Season: S25

Designer: Sara.Allegre

Developer: bellali

LO Developer: kgokul

Sourcing Manager: melissa.gallagher



| Style | Material Style | Style Description | Design | Pattern | Base Size | Size Scale | Sample LO | Production LO |
|--------|----------------|----------------------|-----------|----------|-----------|------------|-----------|---------------|
| AM4471 | 1491953 | Washed Out™ Short | S3MS49195 | M24M8059 | 32 | 28 - 44 | | India |

Report #: 0000062427

Office: India

Factory Code: SEP

Factory Name: SHAHI EXPORTS PVT. LTD.

Sample Sizes: 32

Estimated First Buy Date:

Factory Country of Origin: India

Comments: CC- 022,347,364,432,851

Embellishment

No Comments.

Garment dye/Wash

35 min water wash

Measurement

With in tolerance.

Construction

No Comments.

Product Developer Comments

This is confidential and proprietary information of Columbia Sportswear Company. You agree that you will not disclose this information to any third party or use it for any purpose other than on behalf of Columbia. You have no right to use Columbia's name or any of its trademarks, trade names, copyrights, patents, designs or other intellectual property except as set forth in writing by Columbia.

Thumbnail

Line Slot: Washed Out Short

Merchandise Division: Sportswear

Designer: Sara.Allegre

Fit Engineer: bellali

Merchandise Collection: Outdoor

Developer: bellali

State: Production

Product Class: Woven Short

LO Developer: kgokul

Season: S25

Sourcing Manager: melissa.gallagher

Design: S3MS49195

Sample LO:

Production LO: India

Style Material Style

Style Description Pattern

Base Size Size Scale

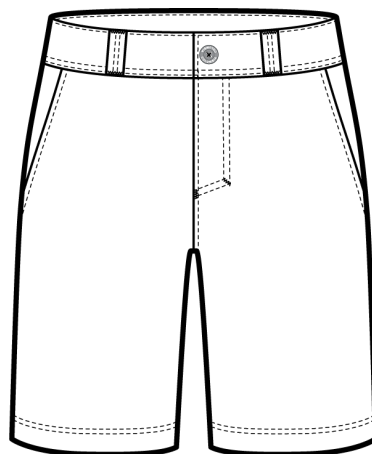
Fit SMU Type

AM4471 1491953

Washed Out™ Short M24M8059

32 28 - 44

Regular Color Add



This is confidential and proprietary information of Columbia Sportswear Company. You agree that you will not disclose this information to any third party or use it for any purpose other than on behalf of Columbia. You have no right to use Columbia's name or any of its trademarks, trade names, copyrights, patents, designs or other intellectual property except as set forth in writing by Columbia.

Technical

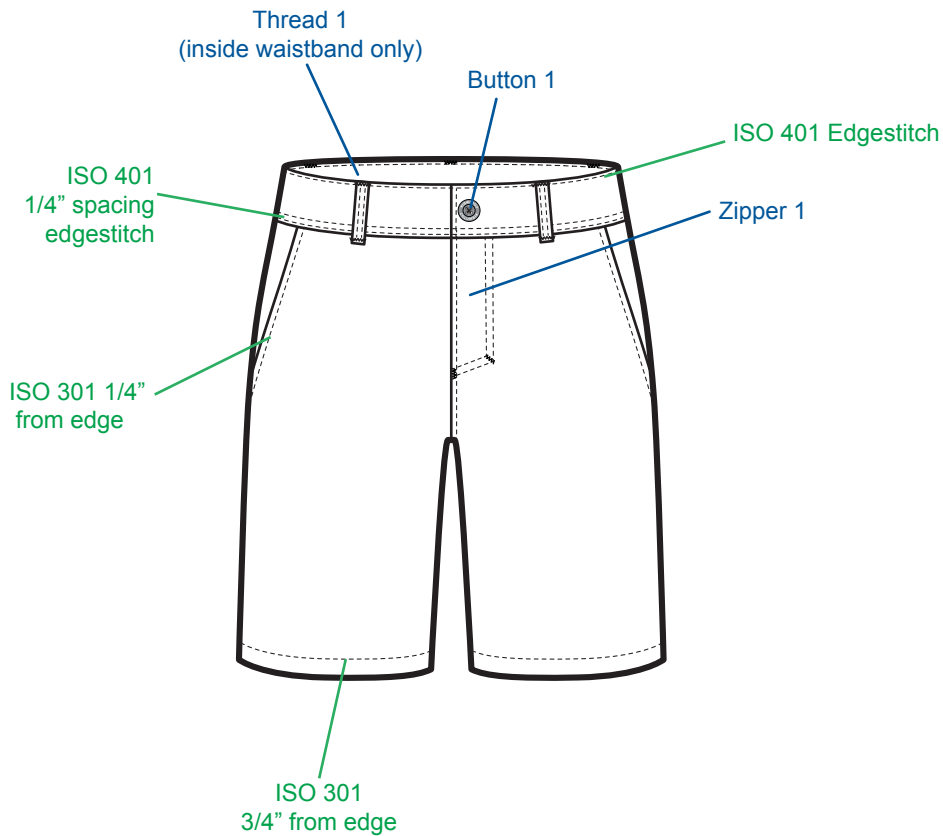
| | | | | | | | |
|----------------------------------|----------------|---------------------------------|----------|----------------------------|------------|-------------------------------------|-----------|
| Line Slot: Washed Out Short | | State: Production | | Season: S25 | | | |
| Merchandise Division: Sportswear | | Merchandise Collection: Outdoor | | Product Class: Woven Short | | | |
| Designer: Sara.Allegre | | Developer: bellali | | LO Developer: kgokul | | Sourcing Manager: melissa.gallagher | |
| Fit Engineer: bellali | | | | | | | |
| Design: | S3MS49195 | Sample LO: | | Production LO: | India | | |
| Style | Material Style | Style Description | Pattern | Base Size | Size Scale | Fit | SMU Type |
| AM4471 | 1491953 | Washed Out™ Short | M24M8059 | 32 | 28 - 44 | Regular | Color Add |



Last Updated: 1.24.23 CW

Thread 2: All stitching unless noted
 Interfacing 1: Front Fly, Waistband, back welt
 Label 1-2: Follow CSC Brand Placement Manual
 Lining 1: Pocket bags

ISO 301 edgestitch:
 All topstitching unless noted

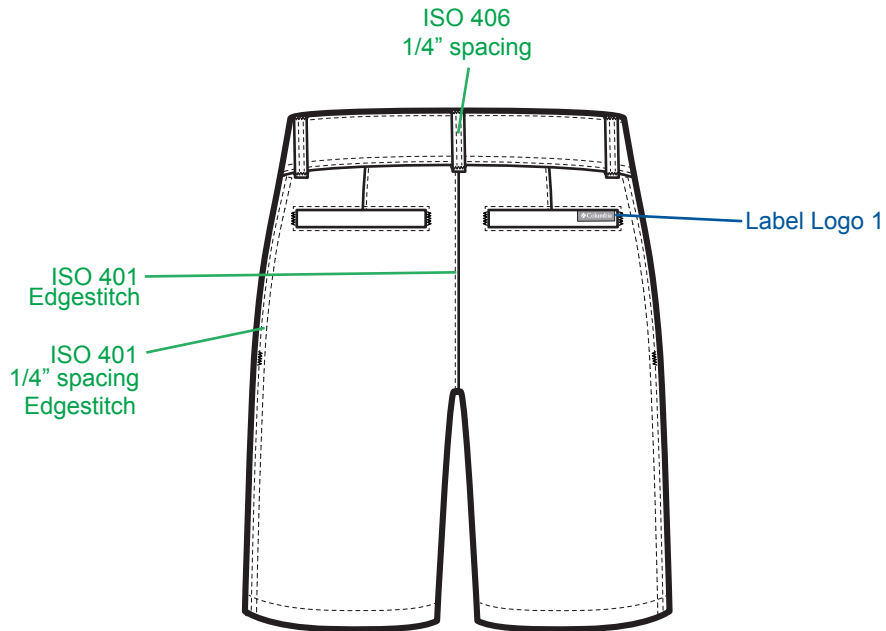


/Volumes/Sportswear/2024 SPRING/MENS/ODL/Carryovers/49195_Washed_Out_Short

Technical

Line Slot: Washed Out Short State: Production Season: S25
 Merchandise Division: Sportswear Merchandise Collection: Outdoor Product Class: Woven Short
 Designer: Sara.Allegre Developer: bellali LO Developer: kgokul Sourcing Manager: melissa.gallagher
 Fit Engineer: bellali

| | | | | | | | |
|---------|----------------|-------------------|----------------|-----------|------------|---------|-----------|
| Design: | S3MS49195 | Sample LO: | Production LO: | India | | | |
| Style | Material Style | Style Description | Pattern | Base Size | Size Scale | Fit | SMU Type |
| AM4471 | 1491953 | Washed Out™ Short | M24M8059 | 32 | 28 - 44 | Regular | Color Add |



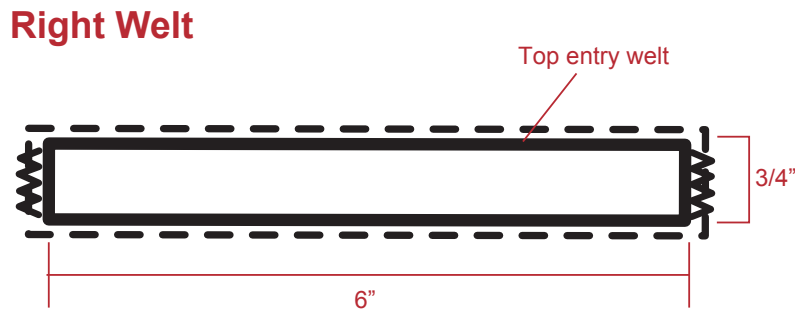
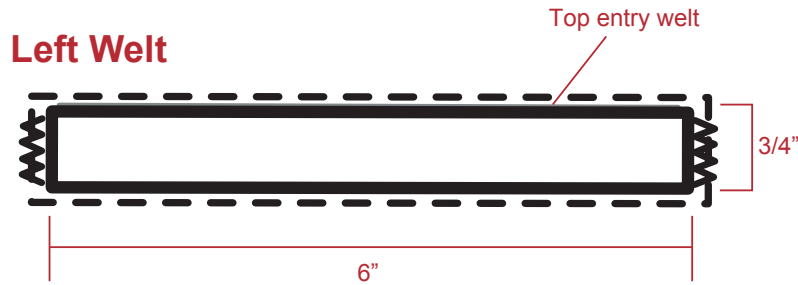
This is confidential and proprietary information of Columbia Sportswear Company. You agree that you will not disclose this information to any third party or use it for any purpose other than on behalf of Columbia. You have no right to use Columbia's name or any of its trademarks, trade names, copyrights, patents, designs or other intellectual property except as set forth in writing by Columbia.

Detail Sketch

Line Slot: Washed Out Short State: Production Season: S25
 Merchandise Division: Sportswear Merchandise Collection: Outdoor Product Class: Woven Short
 Designer: Sara.Allegre Developer: bellali LO Developer: kgokul Sourcing Manager: melissa.gallagher
 Fit Engineer: bellali

Design: S3MS49195 Sample LO: Production LO: India

| Style | Material Style | Style Description | Pattern | Base Size | Size Scale | Fit | SMU Type |
|--------|----------------|-------------------|----------|-----------|------------|---------|-----------|
| AM4471 | 1491953 | Washed Out™ Short | M24M8059 | 32 | 28 - 44 | Regular | Color Add |



This is confidential and proprietary information of Columbia Sportswear Company. You agree that you will not disclose this information to any third party or use it for any purpose other than on behalf of Columbia. You have no right to use Columbia's name or any of its trademarks, trade names, copyrights, patents, designs or other intellectual property except as set forth in writing by Columbia.

Hangtag Package Report

Apparel Style: AM4471

Season: S25

Brand: Columbia

Merchandise Category: Sportswear

Merchandiser: Lee.Braxton

Line Slot: Washed Out Short

Sort Order: 1.0 Part: 097305 - Columbia No Tech Hangtag
 Instruction: (FOR BOTTOMS WITH BELT LOOPS) Hangtags are to be placed on one 5" circular swift tack looped thru front belt loop nearest left side seam

| SKU/Version ID | Size | Name | SV (Vendor Code) |
|----------------|--------|-------------------------------------|------------------|
| OP184553 | 097305 | OP184553_097305_TC_Columbia_No Tech | 09-26-22 |

TECH CARD (Front)



TECH CARD (Back)



| SKU/Version ID | Color | Material | Material Code | Material Description |
|-----------------------------------|-----------------------------|-----------------------------------|---------------|--|
| OP184553 | Process Blue / Process Blue | 32pt CS | TC-1 | Columbia Sportswear Group COLUMBIA SPORTSWEAR GROUP 10000 WILSON BLVD ANN ARBOR MI 48106-1500 |
| 2.32" x 3.43" / 58.93mm x 88.26mm | | Apexair Coating Die Cut 3mm Patch | TC-1 | TC-1 |

Sort Order: 2.0 Part: 127015 - Mens Shorts Regular Joker
 Instruction: JOKER (Please place on right back waistband clear of hanger clip)

| SKU/Version ID | Size | Name | SV (Vendor Code) |
|----------------|--------|-------------------------------------|------------------|
| OP1490994 | 127015 | OP1490994_127015_JK_M_Short_Regular | 10-19-23 |

JOKER (Front)



JOKER (Back)



| SKU/Version ID | Color | Material | Material Code | Material Description |
|--------------------------------|----------------------|---|---------------|--|
| OP1490994 | Black / Process Blue | 32pt CS | JK-13 | Columbia Sportswear Group COLUMBIA SPORTSWEAR GROUP 10000 WILSON BLVD ANN ARBOR MI 48106-1500 |
| 1.70" x 2.7" / 42.7mm x 68.2mm | | Apexair Coating Die Cut Score Variable Data | JK-13 | JK-13 |

Sort Order: 9.0 Part: 121612 - MSRP/UPC with RFID Specs for MSRP.
 Please refer to VAS specs for any exceptions. MSRP required on all product shipping to the US.
 Instruction:

