

Related Styles

Line Slot: Washed Out Short State: Production Season: F25
 Merchandise Division: Sportswear Merchandise Collection: Outdoor Product Class: Woven Short
 Designer: owen.kessel Developer: bellali LO Developer: keerthis Sourcing Manager: melissa.gallagher
 Fit Engineer: bellali



Design:	S3MS49195	Sample LO:		Production LO:	India		
Style	Material Style	Style Description	Pattern	Base Size	Size Scale	Fit	SMU Type
AM4471	1491953	Washed Out™ Short	M24M8059	32	28 - 44	Regular	N/A

Style	Material Style	Style Description	Design	Pattern	Base Size	Size Scale	Sample LO	Production LO
AS4471	1491956	Washed Out™ Short	S3MS49195	M24S8059	44	42 - 54		India
AE4471	1491957	Washed Out™ Short	S3MS49195	M17Z1545	32	28 - 38		India

This is confidential and proprietary information of Columbia Sportswear Company. You agree that you will not disclose this information to any third party or use it for any purpose other than on behalf of Columbia. You have no right to use Columbia's name or any of its trademarks, trade names, copyrights, patents, designs or other intellectual property except as set forth in writing by Columbia.

Part Specifications with Approved Suppliers

Line Slot: Washed Out Short	State: Production	Season: F25
Merchandise Division: Sportswear	Merchandise Collection: Outdoor	Product Class: Woven Short
Designer: owen.kessel	Developer: bellali	LO Developer: keerthis
Fit Engineer: bellali	Sourcing Manager: melissa.gallagher	
Design: S3MS49195	Sample LO: Production LO: India	Vendor Master INDIA
		Vendor Master INDIA
Style	Material Style	Style Description
	Pattern	Base Size
	Size Scale	Fit
AM4471	1491953	Washed Out™ Short
	M24M8059	32
	28 - 44	Regular
		N/A



Number	Description	UM	Fiber Content	Fiber Content Back	Material Coating	Material Finish (Face)	Material Laminate	Trim Specific	Supplier Art No	Country of Origin	Standard Cost (FOB)	Purchase Cost (CIF)	Product on Lead Time with Greige	Product on Lead Time without Greige
--------	-------------	----	---------------	--------------------	------------------	------------------------	-------------------	---------------	-----------------	-------------------	---------------------	---------------------	----------------------------------	-------------------------------------

Fabric														
013283	Poplin 4.26oz/sy	yd	100% Cotton	unassigned	MaterialCoatingNone	Sanded/Peached (technical face)	MaterialLaminateNone							
Sri Krishna Spinning and Weaving Mills Pvt Ltd									013283	India	1.91	0.0	37	60
SHAHI EXPORTS PVT. LTD. WPD-SHIVAMOGGA									013283	India	1.75	0.0	37	55
100267	Pocketing (T/C)	yd	65% Polyester, 35% Cotton	unassigned	unassigned	Mercerized	unassigned							
Manju Exports									100267	India	2.2	0.0	60	60
FGV - Jensmart International Ltd. (JNS)									100267	China	0.85	0.0	30	45
SHAHI EXPORTS PVT. LTD. WPD-SHIVAMOGGA									Supplier name - EN Exports HK Limited. Fabric for internal consumption only	India	1.33	0.95	30	45
FGV - Shahi Exports Pvt. (SEP) Ltd.									Supplier name - EN Exports HK Limited. Fabric for internal consumption only	India	0.79	0.0	30	45
011952	Interlining Non-Woven Fusible Light Weight for Garment Wash	yd	100% Polyester	unassigned	unassigned	unassigned	unassigned							
Freudenberg-Hong Kong									AP48	Taiwan	0.38	0.0	7	14
MaxBond									UD9927	Vietnam	0.33	0.0	10	20
PCC asia LLC									CL700	China	0.37	0.0	14	21
Trim														
098784	28L Debossed Columbia Dark Horn/Light Horn (No DTM) Low profile Plastic Button	ea	100% Polyester	unassigned	unassigned	unassigned	unassigned	Size UM: ligne						
Unitex International Button Accessories Ltd									199-00914-070107	China	0.0311	0.0	35	50

Part Specifications with Approved Suppliers

Line Slot: Washed Out Short State: Production Season: F25
 Merchandise Division: Sportswear Merchandise Collection: Outdoor Product Class: Woven Short
 Designer: owen.kessel Developer: bellali LO Developer: keerthis Sourcing Manager: melissa.gallagher
 Fit Engineer: bellali



Design: S3MS49195 Sample LO: Production LO: India Vendor Master: INDIA Vendor Master: INDIA
 Production LO: Sourcing LO:
 Style Material Style Style Pattern Base Size Size Scale Fit SMU Type
 Description
 AM4471 1491953 Washed Out™ M24M8059 32 28 - 44 Regular N/A

Number	Description	UM	Fiber Content	Fiber Content Back	Material Coating	Material Finish (Face)	Material Laminate	Trim Specific	Supplier Art No	Country of Origin	Standard Cost (FOB)	Purchase Cost (CIF)	Product on Lead Time with Greige	Product on Lead Time without Greige
BANGALORE SALES CORPORATION									098784	India	0.0166	0.0	15	25
Gritti Vietnam Co. Ltd.									P.57439	Vietnam	0.0287	0.0	30	30
077256	35mm Gem Columbia Flat Woven Label with starch	ea	100% Recycled Polyester	unassigned	unassigned	unassigned	unassigned	Size UM: mm						
Nexgen Packaging Global									077256	China	0.025	0.0	21	28
Avery Dennison Global									077256	unassigned	0.02532	0.0	30	30
Manohar Filaments									23/11813/16	India	0.0194	0.0	30	30
061708	Coats Astra Tex 40 spun poly for sewing lightweight woven and knits	meter	100% Polyester	unassigned	unassigned	unassigned	unassigned	Size UM: tex						
Coats Global Thread									EV65080	unassigned	0.00043	0.0	0	0
DD - Huamei Thread Company Limited (FNC only)									061708	unassigned	0.004	0.0	0	0
013264	Coats ASTRA Spun Poly Tex 60 for sewing lightweight woven and knits	meter	100% Polyester	unassigned	unassigned	unassigned	unassigned	Size UM: tex						
Coats Global Thread									EV65050	unassigned	0.00052	0.0	0	0
008214	Coats ASTRA Spun Polyester Tex 27 40/2	meter	100% Polyester	unassigned	unassigned	unassigned	unassigned	Size UM: tex						
Coats Global Thread									EV65120	unassigned	0.0003	0.0	0	0
126123	CFC-36 DA E B-E Clsd AutoLk Enml Sldr/PI EnmlBtmStp	ea	unassigned	unassigned	unassigned	unassigned	unassigned	Size UM: ea Length: 4.0						
Ideal Fastener Global									CFC-36 DA E B-E Clsd AutoLk Enml Sldr/PI EnmlBtmStp	unassigned	0.0625	0.0	21	28
YKK Global									TBD	unassigned	0.0451	0.0	35	50
059199	40mm CSC Main /International ECO Size Woven Loop Label 3 clr	ea	100% Recycled Polyester	unassigned	unassigned	unassigned	unassigned	Size UM: mm						
Avery Dennison Global									059199	China	0.04455	0.0	30	30
Dong Young									DY-59199	South Korea	0.052	0.0	25	25
Manohar Filaments									23/11813/5	India	0.0404	0.0	30	30

Part Specifications with Approved Suppliers

Line Slot: Washed Out Short		State: Production		Season: F25	
Merchandise Division: Sportswear		Merchandise Collection: Outdoor		Product Class: Woven Short	
Designer: owen.kessel		Developer: bellali		LO Developer: keerthis	
Fit Engineer: bellali				Sourcing Manager: melissa.gallagher	
Design:	S3MS49195	Sample LO:		Production LO:	India
				Vendor Master	INDIA
				Production LO:	
				Vendor Master	INDIA
				Sourcing LO:	
Style	Material Style	Style Description	Pattern	Base Size	Size Scale
AM4471	1491953	Washed Out™ Short	M24M8059	32	28 - 44
				Regular	N/A



Number	Description	UM	Fiber Content	Fiber Content Back	Material Coating	Material Finish (Face)	Material Laminate	Trim Specific	Supplier Art No	Country of Origin	Standard Cost (FOB)	Purchase Cost (CIF)	Product on Lead Time with Greige	Product on Lead Time without Greige
006564	33mm Care Content ECO Booklet Fold label with fully translated country of origin WHT/BLK for most, BLK/WHT for Titanium only, GRY/BLK is for Garment DYE ONLY- waiting on updated artwork	ea	100% Recycled Polyester	unassigned	unassigned	unassigned	unassigned	Size UM: mm						
Dong Young									DY-006564	South Korea	0.04	0.0	15	15
Finotex El Salvador									006564	El Salvador	0.0	0.0	10	0
Avery Dennison Global									S2088861-8	China	0.016	0.0	30	30
Bao Shen (Apparel)									YL15110003 0 PS7530A5	unassigned	0.016	0.0	7	21
Nexgen Packaging Global									006564	unassigned	0.0221	0.0	21	28
097305	Columbia No Tech Hangtag	ea	unassigned	unassigned	unassigned	unassigned	unassigned	Size UM: cm						
Hang Sang Press Co. Ltd									n/a	unassigned	0.0167	0.0	0	0
Bao Shen (Apparel)									097305	Vietnam	0.014	0.0	7	21
Finotex El Salvador									n/a	unassigned	0.0233	0.0	21	28
121612	MSRP/UPC with RFID Specs for MSRP. Please refer to VAS specs for any exceptions. MSRP required on all product shipping to the US.	ea	unassigned	unassigned	unassigned	unassigned	unassigned	Size UM: mm						
Bao Shen (Apparel)									n/a	unassigned	0.049	0.0	7	0
Avery Dennison Global									n/a	unassigned	0.04875	0.0	14	0
131417	M Shorts Regular Joker	ea	unassigned	unassigned	unassigned	unassigned	unassigned	Size UM: in						
Hang Sang Press Co. Ltd									n/a	unassigned	0.036	0.0	0	0
Bao Shen (Apparel)									n/a	unassigned	0.0324	0.0	0	0
980001	Polybag See Standard CCS 4200 for specifications	ea	unassigned	unassigned	unassigned	unassigned	unassigned	Size UM: mm						
Contractor									980001	unassigned	0.0	0.0	0	0
980010	UPC Bag Sticker Generic (MHW/Columbia) See CCS4400/ 4401 and MHW4402 for Mt Hardware for instructions	ea	unassigned	unassigned	unassigned	unassigned	unassigned	Size UM: mm						
Hang Sang Press Co. Ltd									980010	Hong Kong	0.016	0.0	14	14
Avery Dennison Global									980010	China	0.01089	0.0	30	30

Part Specifications with Approved Suppliers

Line Slot: Washed Out Short State: Production Season: F25
 Merchandise Division: Sportswear Merchandise Collection: Outdoor Product Class: Woven Short
 Designer: owen.kessel Developer: bellali LO Developer: keerthis Sourcing Manager: melissa.gallagher
 Fit Engineer: bellali

Design: S3MS49195 Sample LO: Production LO: India Vendor Master INDIA Vendor Master INDIA
 Production LO: Production LO: Sourcing LO:

Style Material Style Style Description Pattern Base Size Size Scale Fit SMU Type

AM4471 1491953 Washed Out™ Short M24M8059 32 28 - 44 Regular N/A



Number	Description	UM	Fiber Content	Fiber Content Back	Material Coating	Material Finish (Face)	Material Laminate	Trim Specific	Supplier Art No	Country of Origin	Standard Cost (FOB)	Purchase Cost (CIF)	Product on Lead Time with Greige	Product on Lead Time without Greige
FGV Sourced									980010	unassigned	0.0	0.0	0	0
Bao Shen (Apparel)									980010	unassigned	0.011	0.0	7	21
Nexgen Packaging Global									980010	unassigned	0.011	0.0	21	28
064194	Outer Carton for costing purpose only	ea	unassigned	unassigned	unassigned	unassigned	unassigned	Size UM: mm						
Contractor									064194	unassigned	0.0	0.0	0	0

This is confidential and proprietary information of Columbia Sportswear Company. You agree that you will not disclose this information to any third party or use it for any purpose other than on behalf of Columbia. You have no right to use Columbia's name or any of its trademarks, trade names, copyrights, patents, designs or other intellectual property except as set forth in writing by Columbia.

Color BOM

Line Slot: Washed Out Short
 Merchandise Division: Sportswear
 Designer: owen.kessel
 Fit Engineer: bellali

Merchandise Collection: Outdoor
 Developer: bellali

State: Production
 Product Class: Woven Short
 LO Developer: keerthis

Season: F25
 Sourcing Manager: melissa.gallagher



Design: S3MS49195	Sample LO:	Production LO: India	
Style AM4471	Material Style 1491953	Style Description Washed Out™ Short	Pattern M24M8059
		Base Size 32	Size Scale 28 - 44
		Fit Regular	SMU Type N/A

Component	Details	Placement	Usage	Width	Marker Width	010-Black	022-Grey Ash	161-Fossil	245-Crouton	455-Vintage Blue
SAP Material Code						149195301 0	149195302 2	149195316 1	149195324 5	149195345 5
						149195701 0	149195702 2	149195716 1	149195724 5	149195745 5
						149195601 0	149195602 2	149195616 1	149195624 5	149195645 5
SMU Accounts						N/A	N/A	N/A	N/A	N/A
Shell 1	013283 Poplin 4.26oz/sy Poplin 100% Cotton 134 X 97 40x40 Sanded/Peached (technical face) MaterialCoatingNone MaterialLaminateNone 146.0 g/m2 Piece Dye/Pad NA		1.01 yd	56.0	56	Black	Grey Ash	Fossil	Crouton	Vintage Blue
Lining 1	100267 Pocketing (T/C) Poplin 65% Polyester, 35% Cotton 110 X 76 45 pc X 45 pc Mercerized 105.0 g/m2 Scouring-Bleaching NA		0.405 yd	56.0	56	White	White	White	White	White
Interfacing 1	011952 Interlining Non-Woven Fusible Light Weight for Garment Wash Interlining 100% Polyester 0.0 g/m2		0.15 yd	60.0	60	White	White	White	White	White
Button 1	098784 28L Debossed Columbia Dark Horn/Light Horn (No DTM) Low profile Plastic Button		1 ea	0.0	0	Dark Horn	Dark Horn	Light Horn	Dark Horn	Light Horn
Label Logo 1	077256 35mm Gem Columbia Flat Woven Label with starch		1 ea	0.0	0	Grill, Columbia Grey	Grill, Columbia Grey	Columbia Grey, Grill	Grill, Columbia Grey	Grill, Columbia Grey
Thread 1	061708 Coats Astra Tex 40 spun poly for sewing lightweight woven and knits	Interior Waistband	3 meter	0.0	0	DTM	DTM	DTM	DTM	DTM

Color BOM

Line Slot: Washed Out Short	State: Production	Season: F25					
Merchandise Division: Sportswear	Merchandise Collection: Outdoor	Product Class: Woven Short					
Designer: owen.kessel	Developer: bellali	LO Developer: keerthis					
Fit Engineer: bellali	Sourcing Manager: melissa.gallagher						
Design: S3MS49195	Sample LO:	Production LO: India					
Style AM4471	Material Style 1491953	Style Description Washed Out™ Short	Pattern M24M8059	Base Size 32	Size Scale 28 - 44	Fit Regular	SMU Type N/A



Component	Details	Placement	Usage	Width	Marker Width	010-Black	022-Grey Ash	161-Fossil	245-Crouton	455-Vintage Blue
SAP Material Code						149195301 0	149195302 2	149195316 1	149195324 5	149195345 5
						149195701 0	149195702 2	149195716 1	149195724 5	149195745 5
						149195601 0	149195602 2	149195616 1	149195624 5	149195645 5
Thread 2	013264 Coats ASTRA Spun Poly Tex 60 for sewing lightweight woven and knits		26 meter	0.0	0	DTM	DTM	DTM	DTM	DTM
Thread 3	061708 Coats Astra Tex 40 spun poly for sewing lightweight woven and knits		40 meter	0.0	0	DTM	DTM	DTM	DTM	DTM
Thread 4	008214 Coats ASTRA Spun Polyester Tex 27 40/2		190 meter	0.0	0	DTM	DTM	DTM	DTM	DTM
Zipper 1	126123 CFC-36 DA E B-E Clsd AutoLk Enml Sldr/PI EnmlBtmStp Length: 4.0		1 ea	0.0	0	Black	Grey Ash	Fossil	Crouton	Vintage Blue
Label 1	059199 40mm CSC Main /International ECO Size Woven Loop Label 3 clr		1 ea	0.0	0	White, Columbia Grey, Compass Blue	White, Columbia Grey, Compass Blue	White, Columbia Grey, Compass Blue	White, Columbia Grey, Compass Blue	White, Columbia Grey, Compass Blue
Label 2	006564 33mm Care Content ECO Booklet Fold label with fully translated country of origin WHT/BLK for most, BLK/WHT for Titanium only, GRY/BLK is for Garment DYE ONLY- waiting on updated artwork		1 ea	0.0	0	White, Black	White, Black	White, Black	White, Black	White, Black
Hangtag Package Part	097305 Columbia No Tech Hangtag		1 ea	0.0	0	Artwork	Artwork	Artwork	Artwork	Artwork
Hangtag Package Part	121612 MSRP/UPC with RFID Specs for MSRP. Please refer to VAS specs for any exceptions. MSRP required on all product shipping to the US.		1 ea	0.0	0	Artwork	Artwork	Artwork	Artwork	Artwork
Hangtag Package Part	131417 M Shorts Regular Joker		1 ea	0.0	0	Artwork	Artwork	Artwork	Artwork	Artwork

Color BOM

Line Slot: Washed Out Short		State: Production		Season: F25	
Merchandise Division: Sportswear		Merchandise Collection: Outdoor		Product Class: Woven Short	
Designer: owen.kessel		Developer: bellali		LO Developer: keerthis	
Fit Engineer: bellali				Sourcing Manager: melissa.gallagher	
Design: S3MS49195		Sample LO:		Production LO: India	
Style Material Style		Style Description Pattern		Base Size Size Scale	
AM4471 1491953		Washed Out™ Short M24M8059		32 28 - 44	
				Fit Regular	
				SMU Type N/A	



Component	Details	Placement	Usage	Width	Marker Width	010-Black	022-Grey Ash	161-Fossil	245-Crouton	455-Vintage Blue
SAP Material Code						1491953010	1491953022	1491953161	1491953245	1491953455
						1491957010	1491957022	1491957161	1491957245	1491957455
						1491956010	1491956022	1491956161	1491956245	1491956455
Packaging 1	980001 Polybag See Standard CCS 4200 for specifications		1 ea	0.0	0	Stock	Stock	Stock	Stock	Stock
Packaging 2	980010 UPC Bag Sticker Generic (MHW/Columbia) See CCS4400/ 4401 and MHW4402 for Mt Hardwear for instructions		1 ea	0.0	0	Artwork	Artwork	Artwork	Artwork	Artwork
Packaging 3	064194 Outer Carton for costing purpose only		1 ea	0.0	0	Stock	Stock	Stock	Stock	Stock

This is confidential and proprietary information of Columbia Sportswear Company. You agree that you will not disclose this information to any third party or use it for any purpose other than on behalf of Columbia. You have no right to use Columbia's name or any of its trademarks, trade names, copyrights, patents, designs or other intellectual property except as set forth in writing by Columbia.

Colorless BOM

Line Slot: Washed Out Short State: Production Season: F25
 Merchandise Division: Sportswear Merchandise Collection: Outdoor Product Class: Woven Short
 Designer: owen.kessel Developer: bellali LO Developer: keerthis Sourcing Manager: melissa.gallagher
 Fit Engineer: bellali
 Design: S3MS49195 Sample LO: Production LO: India
 Style Material Style Style Description Pattern Base Size Size Scale Fit SMU Type
 AM4471 1491953 Washed Out™ Short M24M8059 32 28 - 44 Regular N/A



Component	Details	Placement	Usage	Width	Marker Width
SAP Material Code					
Shell 1	013283 Poplin 4.26oz/sy Poplin 100% Cotton 134 X 97 40x40 Sanded/Peached (technical face) MaterialCoatingNone MaterialLaminateNone 146.0 g/m2 Piece Dye/Pad NA		1.01 yd	56.0	56
Lining 1	100267 Pocketing (T/C) Poplin 65% Polyester, 35% Cotton 110 X 76 45 pc X 45 pc Mercerized 105.0 g/m2 Scouring-Bleaching NA		0.405 yd	56.0	56
Interfacing 1	011952 Interlining Non-Woven Fusible Light Weight for Garment Wash Interlining 100% Polyester 0.0 g/m2		0.15 yd	60.0	60
Button 1	098784 28L Debossed Columbia Dark Horn/Light Horn (No DTM) Low profile Plastic Button		1 ea	0.0	0
Label Logo 1	077256 35mm Gem Columbia Flat Woven Label with starch		1 ea	0.0	0
Thread 1	061708 Coats Astra Tex 40 spun poly for sewing lightweight woven and knits	Interior Waistband	3 meter	0.0	0
Thread 2	013264 Coats ASTRA Spun Poly Tex 60 for sewing lightweight woven and knits		26 meter	0.0	0
Thread 3	061708 Coats Astra Tex 40 spun poly for sewing lightweight woven and knits		40 meter	0.0	0
Thread 4	008214 Coats ASTRA Spun Polyester Tex 27 40/2		190 meter	0.0	0
Zipper 1	126123 CFC-36 DA E B-E Clsd AutoLk Enml Sldr/PI EnmlBtmStp Length: 4.0		1 ea	0.0	0
Label 1	059199 40mm CSC Main /International ECO Size Woven Loop Label 3 clr		1 ea	0.0	0
Label 2	006564 33mm Care Content ECO Booklet Fold label with fully translated country of origin WHT/BLK for most, BLK/WHT for Titanium only, GRY/BLK is for Garment DYE ONLY- waiting on updated artwork		1 ea	0.0	0
Hangtag Package Part	097305 Columbia No Tech Hangtag		1 ea	0.0	0
Hangtag Package Part	121612 MSRP/UPC with RFID Specs for MSRP. Please refer to VAS specs for any exceptions. MSRP required on all product shipping to the US.		1 ea	0.0	0

Colorless BOM



Line Slot: Washed Out Short State: Production Season: F25
 Merchandise Division: Sportswear Merchandise Collection: Outdoor Product Class: Woven Short
 Designer: owen.kessel Developer: bellali LO Developer: keerthis Sourcing Manager: melissa.gallagher
 Fit Engineer: bellali
 Design: S3MS49195 Sample LO: Production LO: India
 Style Material Style Style Description Pattern Base Size Size Scale Fit SMU Type
 AM4471 1491953 Washed Out™ Short M24M8059 32 28 - 44 Regular N/A

Component	Details	Placement	Usage	Width	Marker Width
SAP Material Code					
Hangtag Package Part	131417 M Shorts Regular Joker		1 ea	0.0	0
Packaging 1	980001 Polybag See Standard CCS 4200 for specifications		1 ea	0.0	0
Packaging 2	980010 UPC Bag Sticker Generic (MHW/Columbia) See CCS4400/ 4401 and MHW4402 for Mt Hardwear for instructions		1 ea	0.0	0
Packaging 3	064194 Outer Carton for costing purpose only		1 ea	0.0	0

This is confidential and proprietary information of Columbia Sportswear Company. You agree that you will not disclose this information to any third party or use it for any purpose other than on behalf of Columbia. You have no right to use Columbia's name or any of its trademarks, trade names, copyrights, patents, designs or other intellectual property except as set forth in writing by Columbia.

Color Specification

Line Slot: Washed Out Short		State: Production		Season: F25			
Merchandise Division: Sportswear		Merchandise Collection: Outdoor		Product Class: Woven Short			
Designer: owen.kessel		Developer: bellali		LO Developer: keerthis			
Fit Engineer: bellali				Sourcing Manager: melissa.gallagher			
Design:	S3MS49195	Sample LO:		Production LO:	India		
Style	Material Style	Style Description	Pattern	Base Size	Size Scale	Fit	SMU Type
AM4471	1491953	Washed Out™ Short	M24M8059	32	28 - 44	Regular	N/A



Component - Material	010-Black	022-Grey Ash	161-Fossil	245-Crouton	455-Vintage Blue
Shell 1 - 013283	Black	Grey Ash	Fossil	Crouton	Vintage Blue
Zipper 1 - 126123					
Lining 1 - 100267	White	White	White	White	White
Interfacing 1 - 011952					
Button 1 - 098784	Dark Horn	Dark Horn	Light Horn	Dark Horn	Light Horn
Label Logo 1 - 077256	Grill, Columbia Grey	Grill, Columbia Grey	Columbia Grey, Grill	Grill, Columbia Grey	Grill, Columbia Grey
Thread 1 - 061708					
Thread 2 - 013264	DTM	DTM	DTM	DTM	DTM
Thread 3 - 061708					
Thread 4 - 008214					
Label 1 - 059199	White, Columbia Grey, Compass Blue	White, Columbia Grey, Compass Blue	White, Columbia Grey, Compass Blue	White, Columbia Grey, Compass Blue	White, Columbia Grey, Compass Blue
Label 2 - 006564	White, Black	White, Black	White, Black	White, Black	White, Black
Hangtag Package Part - 097305					
Hangtag Package Part - 121612	Artwork	Artwork	Artwork	Artwork	Artwork
Hangtag Package Part - 131417					
Packaging 2 - 980010					
Packaging 1 - 980001	Stock	Stock	Stock	Stock	Stock
Packaging 3 - 064194					

This is confidential and proprietary information of Columbia Sportswear Company. You agree that you will not disclose this information to any third party or use it for any purpose other than on behalf of Columbia. You have no right to use Columbia's name or any of its trademarks, trade names, copyrights, patents, designs or other intellectual property except as set forth in writing by Columbia.

Costing BOM

Line Slot: Washed Out Short		State: Production		Season: F25			
Merchandise Division: Sportswear		Merchandise Collection: Outdoor		Product Class: Woven Short			
Designer: owen.kessel		Developer: bellali		LO Developer: keerthis			
Fit Engineer: bellali				Sourcing Manager: melissa.gallagher			
Design:	S3MS49195	Sample LO:		Production LO:	India		
Style	Material Style	Style Description	Pattern	Base Size	Size Scale	Fit	SMU Type
AM4471	1491953	Washed Out™ Short	M24M8059	32	28 - 44	Regular	N/A



Colorway Number	Color Way	FOB Material	CIF Material	FOB Trim	CIF Trim	Allowance %	Total FOB	Total CIF
010	Black	2.336	0.000	0.368	0.000	0.0	2.704	0.000
022	Grey Ash	2.336	0.000	0.368	0.000	0.0	2.704	0.000
161	Fossil	2.336	0.000	0.368	0.000	0.0	2.704	0.000
245	Crouton	2.336	0.000	0.368	0.000	0.0	2.704	0.000
455	Vintage Blue	2.336	0.000	0.368	0.000	0.0	2.704	0.000

Costing BOM

Line Slot: Washed Out Short

State: Production

Season: F25

Merchandise Division: Sportswear

Merchandise Collection: Outdoor

Product Class: Woven Short

Designer: owen.kessel

Developer: bellali

LO Developer: keerthis

Sourcing Manager: melissa.gallagher

Fit Engineer: bellali



Design: S3MS49195

Sample LO:

Production LO: India

Style Material Style

Style Description Pattern

Base Size Size Scale

Fit SMU Type

AM4471

1491953

Washed Out™ Short
M24M8059

32

28 - 44

Regular

N/A

Component	Material	Description	Fabric Width	Supplier	Locked	Country of Origin	Managin g Liaison Office	UoM	Target Cost	FOB Unit Cost	CIF Unit Cost	Usage	Wastage %	Total FOB	Total CIF
Shell 1	013283	Poplin 4.26oz/sy	56.0	SHAHI EXPORT S PVT. LTD. WPD-SHIVAM OGGA	Y	India	India	yd	1.9	1.75	0.0	1.010	9	1.927	0.000
Lining 1	100267	Pocketing (T/C)	56.0	FGV - Shahi Exports Pvt. (SEP) Ltd.	N	India	India	yd	0.0	0.79	0.0	0.405	9	0.349	0.000
Interfacing 1	011952	Interlining Non-Woven Fusible Light Weight for Garment Wash	60.0	PCC asia LLC	Y	China	India	yd	0.0	0.37	0.0	0.150	9	0.060	0.000

Costing BOM

Line Slot: Washed Out Short

State: Production

Season: F25

Merchandise Division: Sportswear

Merchandise Collection: Outdoor

Product Class: Woven Short

Designer: owen.kessel

Developer: bellali

LO Developer: keerthis

Sourcing Manager: melissa.gallagher

Fit Engineer: bellali



Design: S3MS49195

Sample LO:

Production LO: India

Style Material Style

Style Description Pattern

Base Size Size Scale

Fit SMU Type

AM4471

1491953

Washed Out™ Short
M24M8059

32

28 - 44

Regular

N/A

Component	Material	Description	Fabric Width	Supplier	Locked	Country of Origin	Managing Liaison Office	UoM	Target Cost	FOB Unit Cost	CIF Unit Cost	Usage	Wastage %	Total FOB	Total CIF
Button 1	098784	28L Debossed Columbia Dark Horn/Light Horn (No DTM) Low profile Plastic Button	0.0	BANGALORE SALES CORPORATION	Y	India	India	ea	0.0	0.0166	0.0	1.000	2.0	0.017	0.000
Label Logo 1	077256	35mm Gem Columbia Flat Woven Label with starch	0.0	Manohar Filaments	Y	India	India	ea	0.0	0.0194	0.0	1.000	3.0	0.020	0.000
Thread 1	061708	Coats Astra Tex 40 spun poly for sewing lightweight woven and knits	0.0	Coats Global Thread	N	unassigned	Portland	meter	0.0	0.00043	0.0	3.000	5.0	0.001	0.000
Thread 2	013264	Coats ASTRA Spun Poly Tex 60 for sewing lightweight woven and knits	0.0	Coats Global Thread	N	unassigned	Portland	meter	0.0	0.00052	0.0	26.000	5.0	0.014	0.000

Costing BOM

Line Slot: Washed Out Short

State: Production

Season: F25

Merchandise Division: Sportswear

Merchandise Collection: Outdoor

Product Class: Woven Short

Designer: owen.kessel

Developer: bellali

LO Developer: keerthis

Sourcing Manager: melissa.gallagher

Fit Engineer: bellali



Design: S3MS49195

Sample LO:

Production LO: India

Style Material Style

Style Description Pattern

Base Size Size Scale

Fit SMU Type

AM4471

1491953

Washed Out™ Short
M24M8059

32

28 - 44

Regular

N/A

Component	Material	Description	Fabric Width	Supplier	Locked	Country of Origin	Managing Liaison Office	UoM	Target Cost	FOB Unit Cost	CIF Unit Cost	Usage	Wastage %	Total FOB	Total CIF
Thread 3	061708	Coats Astra Tex 40 spun poly for sewing lightweight woven and knits	0.0	Coats Global Thread	N	unassigned	Portland	meter	0.0	0.00043	0.0	40.000	5.0	0.018	0.000
Thread 4	008214	Coats ASTRA Spun Polyester Tex 27 40/2	0.0	Coats Global Thread	N	unassigned	Portland	meter	0.0	0.0003	0.0	190.000	5.0	0.060	0.000
Zipper 1	126123	CFC-36 DA E B-E Clsd AutoLk Enml Sldr/PI EnmlBtmStp	0.0	Ideal Fastener Global	N	unassigned	Portland	ea	0.0	0.0625	0.0	1.000	1.0	0.068	0.000
Label 1	059199	40mm CSC Main /International ECO Size Woven Loop Label 3 clr	0.0	Manohar Filaments	Y	India	India	ea	0.0	0.0404	0.0	1.000	3.0	0.042	0.000

Costing BOM

Line Slot: Washed Out Short

State: Production

Season: F25

Merchandise Division: Sportswear

Merchandise Collection: Outdoor

Product Class: Woven Short

Designer: owen.kessel

Developer: bellali

LO Developer: keerthis

Sourcing Manager: melissa.gallagher

Fit Engineer: bellali



Design: S3MS49195

Sample LO:

Production LO: India

Style Material Style

Style Description Pattern

Base Size Size Scale

Fit SMU Type

AM4471 1491953

Washed Out™ Short M24M8059

32 28 - 44

Regular N/A

Component	Material	Description	Fabric Width	Supplier	Locked	Country of Origin	Managing Liaison Office	UoM	Target Cost	FOB Unit Cost	CIF Unit Cost	Usage	Wastage %	Total FOB	Total CIF
Label 2	006564	33mm Care Content ECO Booklet Fold label with fully translated country of origin WHT/BLK for most, BLK/WHT for Titanium only, GRY/BLK is for Garment DYE ONLY- waiting on updated artwork	0.0	Avery Dennison Global	N	China	Portland	ea	0.0	0.016	0.0	1.000	3.0	0.016	0.000
Hangtag Package Part	097305	Columbia No Tech Hangtag	0.0	Bao Shen (Apparel)	N	Vietnam	Portland	ea	0.0	0.014	0.0	1.000	3.0	0.014	0.000

Costing BOM

Line Slot: Washed Out Short
 Merchandise Division: Sportswear
 Designer: owen.kessel
 Fit Engineer: bellali

Merchandise Collection: Outdoor
 Developer: bellali

State: Production
 Product Class: Woven Short
 LO Developer: keerthis

Season: F25
 Sourcing Manager: melissa.gallagher



Design:	S3MS49195	Sample LO:		Production LO:	India		
Style	Material Style	Style Description	Pattern	Base Size	Size Scale	Fit	SMU Type
AM4471	1491953	Washed Out™ Short	M24M8059	32	28 - 44	Regular	N/A

Component	Material	Description	Fabric Width	Supplier	Locked	Country of Origin	Managing Liaison Office	UoM	Target Cost	FOB Unit Cost	CIF Unit Cost	Usage	Wastage %	Total FOB	Total CIF
Hangtag Package Part	121612	MSRP/UPC with RFID Specs for MSRP. Please refer to VAS specs for any exceptions. MSRP required on all product shipping to the US.	0.0	Avery Dennison Global	N	unassigned	Portland	ea	0.0	0.04875	0.0	1.000	5.0	0.051	0.000
Hangtag Package Part	131417	M Shorts Regular Joker	0.0	Hang Sang Press Co. Ltd	N	unassigned	Portland	ea	0.0	0.036	0.0	1.000	0.0	0.036	0.000
Packaging 1	980001	Polybag See Standard CCS 4200 for specifications	0.0	Contractor	N	unassigned	Hong Kong	ea	0.0	0.0	0.0	1.000	3.0	0.000	0.000

Costing BOM

Line Slot: Washed Out Short

State: Production

Season: F25

Merchandise Division: Sportswear

Merchandise Collection: Outdoor

Product Class: Woven Short

Designer: owen.kessel

Developer: bellali

LO Developer: keerthis

Sourcing Manager: melissa.gallagher

Fit Engineer: bellali



Design: S3MS49195

Sample LO:

Production LO: India

Style Material Style

Style Description Pattern

Base Size Size Scale

Fit SMU Type

AM4471

1491953

Washed Out™ Short
M24M8059

32

28 - 44

Regular

N/A

Component	Material	Description	Fabric Width	Supplier	Locked	Country of Origin	Managing Liaison Office	UoM	Target Cost	FOB Unit Cost	CIF Unit Cost	Usage	Wastage %	Total FOB	Total CIF
Packaging 2	980010	UPC Bag Sticker Generic (MHW/Columbia) See CCS4400/4401 and MHW4402 for Mt Hardware for instructions	0.0	Avery Dennison Global	Y	China	Portland	ea	0.0	0.01089	0.0	1.000	5.0	0.011	0.000
Packaging 3	064194	Outer Carton for costing purpose only	0.0	Contractor	N	unassigned	Hong Kong	ea	0.0	0.0	0.0	1.000	3.0	0.000	0.000

Costing BOM

Line Slot: Washed Out Short		State: Production		Season: F25			
Merchandise Division: Sportswear		Merchandise Collection: Outdoor		Product Class: Woven Short			
Designer: owen.kessel		Developer: bellali		LO Developer: keerthis		Sourcing Manager: melissa.gallagher	
Fit Engineer: bellali							
Design:	S3MS49195	Sample LO:		Production LO:	India		
Style	Material Style	Style Description	Pattern	Base Size	Size Scale	Fit	SMU Type
AM4471	1491953	Washed Out™ Short	M24M8059	32	28 - 44	Regular	N/A



This is confidential and proprietary information of Columbia Sportswear Company. You agree that you will not disclose this information to any third party or use it for any purpose other than on behalf of Columbia. You have no right to use Columbia's name or any of its trademarks, trade names, copyrights, patents, designs or other intellectual property except as set forth in writing by Columbia.

Instructions



Line Slot: Washed Out Short State: Production Season: F25
 Merchandise Division: Sportswear Merchandise Collection: Outdoor Product Class: Woven Short
 Designer: owen.kessel Developer: bellali LO Developer: keerthis Sourcing Manager: melissa.gallagher
 Fit Engineer: bellali
 Design: S3MS49195 Sample LO: Production LO: India
 Style Material Style Style Description Pattern Base Size Size Scale Fit SMU Type
 AM4471 1491953 Washed Out™ Short M24M8059 32 28 - 44 Regular N/A

Category	Subcategory	Description	Comments
FABRIC DESCRIPTION	WASH DOWN STANDARD	OTHER	Garment to standard 35 minutes water wash
MISCELLANEOUS	SPECIAL INSTRUCTIONS	SEE COMMENTS	FOLLOW CCS FOR ALL LABELS, AND SPECIAL INSTRUCTIONS PLEASE STEAM ONLY (PRIOR TO PACKING) DO NOT PRESS!
BUTTONHOLES	BUTTONHOLES FUNCTIONAL	SIZED TO ACCOMMODATE BUTTON	1/CF waist keyhole shape
BARTACKS	BARTACK FUNCTIONAL	LENGTH - SIZED TO FIT	10/2 - BELTLOOPS 2 - HAND PKT OPENINGS 4/2 - BK PKT WELTS 2 - CF FLY 1- CROTCH POINT

This is confidential and proprietary information of Columbia Sportswear Company. You agree that you will not disclose this information to any third party or use it for any purpose other than on behalf of Columbia. You have no right to use Columbia's name or any of its trademarks, trade names, copyrights, patents, designs or other intellectual property except as set forth in writing by Columbia.

Care Report

Line Slot: Washed Out Short		State: Production		Season: F25			
Merchandise Division: Sportswear		Merchandise Collection: Outdoor		Product Class: Woven Short			
Designer: owen.kessel		Developer: bellali		LO Developer: keerthis			
Fit Engineer: bellali				Sourcing Manager: melissa.gallagher			
Design:	S3MS49195	Sample LO:		Production LO:	India		
Style	Material Style	Style Description	Pattern	Base Size	Size Scale	Fit	SMU Type
AM4471	1491953	Washed Out™ Short	M24M8059	32	28 - 44	Regular	N/A



Care Code: 1080		Color Way Number	Color Way Name
English	Machine Wash Cold Gentle, With Like Colors, Non-Chlorine Bleach When Needed, Tumble Dry Low, Remove Promptly, Iron Medium, If Present Do Not Iron Decal, Drycleanable	010	Black
French	Lavage machine à froid, Cycle délicat, Avec des couleurs similaires, Blanchir sans chlore si besoin, Séchage machine, basse température, Sortir immédiatement de la machine, Repasser à température moyenne, Le cas échéant, ne pas repasser la décalcomanie, Nettoyable à sec	022	Grey Ash
German	Schonwaschgang mit kaltem Wasser, Mit gleichen Farben, Nach Bedarf chlorfreies Bleichmittel verwenden, Trocknen im Wäschetrockner bei niedriger Temperatur, Sofort aus dem Trockner nehmen, Bügeln mit mittlerer Temperatur, Falls vorhanden, Dekorbild nicht bügeln, Reinigungsfähig	161	Fossil
Portuguese	Lavar à maquina com água fria, ciclo para roupas delicadas, Com cores similares, Alvejar sem cloro quando necessário, Secar à máquina em temperatura baixa, Remover prontamente, Passar a ferro em temperatura média, Se presente, não passar o ferro sobre o decalque, Lavável a seco	245	Crouton
Spanish	Lavar a maquina con agua fría, en ciclo delicado, Lavar con colores similares, Use lejía sin cloro cuando sea necesario, Usar secadora a temperatura baja, Retirar inmediatamente, Planchar a temperatura media, En su caso, no planche la pegatina, Lavable en seco	455	Vintage Blue
Italian	Lavare in lavatrice in acqua fredda, ciclo delicato, Con colori simili, Solo candeggina senza cloro se necessario, Asciugare a tamburo a bassa temperatura, Rimuovere tempestivamente, Stirare con ferro a temperatura media, Se presente, non stirare la decalcomania, Lavabile a secco		
Russian	Щадящая машинная стирка в холодной воде, Стирать с изделиями подобного цвета, Отбеливать без хлора, Сушить при низкой температуре, Сразу убрать из сушилки, Гладить при средней температуре, Если есть, не гладить наклейки и роспись на текстиле, Химчистка допускается		
Czech Republican	Praní v pračce při nízké teplotě, jemný cyklus, S podobnými barvami, V případě potřeby bělit bez chlóru, Sušení v sušičce, nízká teplota, Ihned odepnout, Žehlení při střední teplotě, Nežehlit obtisky, jsou-li přítomny, Vhodné k chemickému čištění		
Hebrew	כביסה במכונה במים קרים, כביסה עדינה, עם צבעים דומים, מלבין ללא כלור, בעת הצורך, לייבש במייבש כביסה בחום נמוך, להסיר מיד, לרהיץ בחום בינוני, אם ישנה, לא לרהיץ את מדבקת הדקאל, ניתן לנקות בניקוי יבש		
Hungarian	Géppel mossa, hideg vízzel, kímélő programmal, Hasonló színűekkel, Szükség esetén klórmentes fehéritőt használjon, Szárítógépben alacsony hőfokon szárítsa, Mosás után azonnal vegye ki a gépből, Közepes hőfokon vasalja, Ha van az anyagon matrica, azt ne vasalja, Vegytisztítható		
Polish	Prać w temperaturze nie przekraczającej 30°C, cykl delikatny, Prać z podobnymi kolorami, Wybielać niechlorowym wybielaczem w razie potrzeb, Można suszyć bębnowo, niska temperatura, Natychmiast usunąć, Prasować w temperaturze do 150°C, Nie prasować ozdób, jeśli są obecne, Można czyścić chemicznie		
Portuguese Brazil	Lavar à maquina com água fria, ciclo para roupas delicadas, Com cores similares, Alvejar sem cloro quando necessário, Secar em tambor rotativo em temperatura baixa, Remover prontamente, Passar a ferro em temperatura média, Se presente, não passar o ferro sobre o decalque, Lavável a seco		
Slovakian	Perte v pračce v studenej vode, šetriaci program, Spolu len podobné farby, V prípade potreby použite odfarbovací prostriedok bez obsahu chlóru, Sušte v bubnovej sušičke pri nízkych otáčkach, Okamžite odstráňte, Žehlite mierne teplou žehličkou, Ak má štítok, nežehlite ho, Môže sa čistiť chemicky		
Slovenian	Nežno mrzlo strojno pranje, Z podobnimi barvami, Belite brez klora po potrebi, Nizko strojno sušenje, Odstraniti takoj, Srednje likanje, Če obstaja, ne likati nalepk, Za suho čiščenje		
Spanish Latin American	Lavar a maquina con agua fría, en ciclo delicado, Lavar con colores similares, Usar blanqueador sin cloro cuando sea necesario, Usar secadora a temperatura baja, Retirar inmediatamente, Planchar a temperatura media, En su caso, no planche el diseño impreso, Lavable en seco		
Turkish	Makinada Yıkanır, Soğuk, Narin Program, Aynı Renklerle Yıkayın, Gerekirse Klor İçermeyen Ağartıcı Kullanın, Tambur Kurutma, Düşük, Hemen Çıkarın, Orta Isıda Ütöleyin, Varsa Çıkartmayı Ütölemeyin, Kuru Temizleme Yapılır		
Chinese Simplified	冷水慢循环机洗, 可与相近色同洗, 在必要时进行非氯漂白, 低温滚筒烘干, 及时拆除, 中温熨烫, 如有, 请勿熨烫贴花, 可干洗		

Care Report

Line Slot: Washed Out Short

State: Production

Season: F25

Merchandise Division: Sportswear

Merchandise Collection: Outdoor

Product Class: Woven Short

Designer: owen.kessel

Developer: bellali

LO Developer: keerthis

Sourcing Manager: melissa.gallagher

Fit Engineer: bellali

Design: S3MS49195

Sample LO:

Production LO: India

Style Material Style

Style Description Pattern

Base Size Size Scale

Fit SMU Type

AM4471

1491953

Washed Out™ Short

32

28 - 44

Regular

N/A



Chinese Traditional	冷水慢迴圈機洗, 可與相近色同洗, 在需要時進行非氯漂白, 低溫滾筒烘乾, 及時拆除, 中溫熨燙, 如有, 請勿熨燙貼花, 可乾洗
Japanese	洗濯機水洗い(デリケートコース), 同系色と一緒に洗濯してください。非塩素系漂白剤使用可(必要な場合), 乾燥機使用可(低温), すぐに外してください, アイロン可(中温), 転写シールへのアイロン使用不可(ある場合), ドライクリーニング可
Korean	가, 가, , 가, , , , ,
Danish	Kold maskinvask, skåneprogram, Sammen med lignende farver, Brug blegemiddel uden klorin efter behov, Tør i tørretumbler, lav, Fjern med det samme, Stryges ved medium temperatur, Tryk må ikke stryges, Kan renses kemisk
Norwegian	Maskinvask kald, forsiktig, Med like farger, Ikke-klorin blekes ved behov, Tørketrommel, lav, Fjernes umiddelbart, Strykes middels varme, Ikke bruk strykejern på klistremerke, Kan renses
Swedish	Maskintvättas kallt mjuk cykel, Med liknande färger, Bleks med blekmedel utan klorin efter behov, Torktumlas på låg nivå, Ta bort omgående, Stryks på mellannivå, Dekal får inte strykas om befintlig, Tål kemtvätt
Dutch	Koud wassen in wasmachine op zacht, Met overeenkomende kleuren, Chloorvrij bleken indien nodig, In droger op laag, Meteen verwijderen, Op medium strijken, Indien aanwezig sticker niet strijken, Mag gestoomd worden
French Canadian	Laver à la machine à l'eau froide, cycle délicat, avec des couleurs similaires, Utiliser seulement un agent de blanchiment non chloré au besoin, Séchage par culbutage à basse température, Retirer aussitôt sec, Repasser à température moyenne, Ne pas repasser de décalcomanie, Peut se nettoyer à sec



Content Report

Line Slot: Washed Out Short	State: Production	Season: F25					
Merchandise Division: Sportswear	Merchandise Collection: Outdoor	Product Class: Woven Short					
Designer: owen.kessel	Developer: bellali	LO Developer: keerthis					
Fit Engineer: bellali		Sourcing Manager: melissa.gallagher					
Design: S3MS49195	Sample LO:	Production LO: India					
Style AM4471	Material Style 1491953	Style Description Washed Out™ Short	Pattern M24M8059	Base Size 32	Size Scale 28 - 44	Fit Regular	SMU Type N/A



CONTENT CODE: ACP			Color Way Number	Color Way Name
Shell: 100% Cotton Exclusive of Trimming				
FRENCH	Extérieur:	100% Coton Sauf les bordures	010	Black
GERMAN	Außenhülle:	100% Baumwolle Ohne Besatz	022	Grey Ash
PORTUGUESE	Exterior:	100% Algodão Sem orlas	161	Fossil
SPANISH	Cubierta:	100% Algodón Exclusivo de los ribetes	245	Crouton
ITALIAN	Guscio esterno:	100% Cotone Ad eccezione dei bordini	455	Vintage Blue
RUSSIAN	Оболочка:	100% Хлопок Без дополнительных деталей		
CZECH REPUBLICAN	Skořepina:	100% Bavlna Bez nášivek		
HEBREW	מעטפת חיצונית: 100% כותנה ללא קישוט			
HUNGARIAN	Külső:	100% Pamut Szegélydíszén kívül		
POLISH	Powłoka:	100% Bawełna Wyłączając naszywki		
PORTUGUESE BRAZIL	Exterior:	100% Algodão Sem adornos		
SLOVAKIAN	Plášť:	100% Bavlna Okrem lemovania		
SLOVENIAN	Lupina:	100% Bombaž Brez obrezovanja		
SPANISH LATIN AMERICAN	Cubierta:	100% Algodón Exclusivo de los ribetes		
TURKISH	Kabuk:	100% Pamuk Süsler Hariç		
CHINESE SIMPLIFIED	外壳:	100% 棉 不包括装饰品		
CHINESE TRADITIONAL	外殼:	100% 棉 不包括裝飾品		
JAPANESE	シェル:	100% 綿 裝飾品を除く		
KOREAN	:	100%		
DANISH	Skal:	100% Bomuld Inkluderer ikke kant		
NORWEGIAN	Skall:	100% Bomull Eksklusiv trimming		
SWEDISH	Ytterdel:	100% Bomull Utan trimming		
DUTCH	Schelp:	100% Katoen Exclusief trimmen		
FRENCH CANADIAN	Extérieur:	100% Coton Exclut les bordures		

Pattern Piece Detail



Line Slot: Washed Out Short		State: Production	Season: F25				
Merchandise Division: Sportswear	Merchandise Collection: Outdoor	Product Class: Woven Short					
Designer: owen.kessel	Developer: bellali	LO Developer: keerthis	Sourcing Manager: melissa.gallagher				
Fit Engineer: bellali							
Design: S3MS49195	Sample LO:	Production LO:	India				
Style AM4471	Material Style 1491953	Style Description Washed Out™ Short	Pattern M24M8059	Base Size 32	Size Scale 28 - 44	Fit Regular	SMU Type N/A

M24M8059 -

Component	Quantity	Long Description	Abbreviation	Code
-----------	----------	------------------	--------------	------

This is confidential and proprietary information of Columbia Sportswear Company. You agree that you will not disclose this information to any third party or use it for any purpose other than on behalf of Columbia. You have no right to use Columbia's name or any of its trademarks, trade names, copyrights, patents, designs or other intellectual property except as set forth in writing by Columbia.

Measurements

Line Slot: Washed Out Short
 Merchandise Division: Sportswear
 Designer: owen.kessel
 Fit Engineer: bellali

Merchandise Collection: Outdoor
 Developer: bellali

State: Production
 Product Class: Woven Short
 LO Developer: keerthis

Season: F25
 Sourcing Manager: melissa.gallagher



Design:	S3MS49195	Sample LO:		Production LO:	India									
Style	Material Style	Style Description	Pattern	Base Size	Size Scale	Fit	SMU Type							
AM4471	1491953	Washed Out™ Short	M24M8059	32	28 - 44	Regular	N/A							

Sort Order		Use	Type	Placem ent	(+/-)	28	30	32	34	36	38	40	42	44
Grade Rule: CSC Mens Sportswear Shorts (Numeric) - 28-46 (32) - NT - Block: null														
4100.0	WAIST WIDTH AT TOP - circumference	QC	Graded		0.0	30.0	32.0	34.0	36.0	38.0	40.0	42.0	44.0	46.0
4103.0	WAIST WIDTH AT BOTTOM - circumference	QC	Graded		0.0	31.5	33.5	35.5	37.5	39.5	41.5	43.5	45.5	47.5
4150.0	WAISTBAND HEIGHT - bottoms		Graded		0.0	1.75	1.75	1.75	1.75	1.75	1.75	1.75	1.75	1.75
4180.0	BELT LOOP LENGTH		Graded		0.0	2.0	2.0	2.0	2.0	2.0	2.0	2.0	2.0	2.0
4181.0	BELT LOOP WIDTH		Graded		0.0	0.5	0.5	0.5	0.5	0.5	0.5	0.5	0.5	0.5
4182.0	BELT LOOP TOTAL QUANTITY		Graded		0.0	5.0	5.0	5.0	5.0	5.0	5.0	7.0	7.0	7.0
4200.0	HIP WIDTH POSITION - at side seam - including waistband		Graded		0.0	7.25	7.5	7.75	8.0	8.25	8.5	8.75	9.0	9.25
4201.0	HIP WIDTH POSITION - at front rise - including waistband		Graded		0.0	7.0	7.25	7.5	7.75	8.0	8.25	8.5	8.75	9.0
4250.0	HIP WIDTH (Bottoms) - circumference	QC	Graded		0.0	38.5	40.5	42.5	44.5	46.5	48.0	49.5	51.0	52.5
4400.0	FRONT RISE - from top of waistband	QC	Graded		0.0	10.125	10.5	10.875	11.25	11.625	12.0	12.375	12.75	13.125
4450.0	BACK RISE - from top of waistband	QC	Graded		0.0	15.5	15.875	16.25	16.625	17.0	17.375	17.75	18.125	18.5
4600.0	THIGH WIDTH - circumference - 1 inch down from crotch seam	QC	Graded		0.0	24.75	26.0	27.25	28.5	29.75	30.625	31.625	32.5	33.5
4950.0	SHORT LEG OPENING - circumference - A	QC	Graded		0.0	20.0	21.25	22.5	23.75	25.0	25.875	26.875	27.75	28.75

Measurements

Line Slot: Washed Out Short
 Merchandise Division: Sportswear
 Designer: owen.kessel
 Fit Engineer: bellali

Merchandise Collection: Outdoor
 Developer: bellali

State: Production
 Product Class: Woven Short
 LO Developer: keerthis

Season: F25
 Sourcing Manager: melissa.gallagher



Design: S3MS49195	Sample LO:	Production LO: India	
Style Material Style	Style Description	Pattern	Base Size
AM4471	1491953	Washed Out™ Short	M24M8059
			32
			28 - 44
			Fit Regular
			SMU Type N/A

Sort Order		Use	Type	Placem ent	(+/-)	28	30	32	34	36	38	40	42	44
4951.0	SHORT LEG OPENING - circumference - B	QC	Graded		0.0	19.75	21.0	22.25	23.5	24.75	25.625	26.625	27.5	28.5
4952.0	SHORT LEG OPENING - circumference - C	QC	Graded		0.0	19.5	20.75	22.0	23.25	24.5	25.375	26.375	27.25	28.25
5400.0	SHORT INSEAM LENGTH - A	QC	Graded		0.0	8.0	8.0	8.0	8.0	8.0	8.0	8.0	8.0	8.0
5401.0	SHORT INSEAM LENGTH - B	QC	Graded		0.0	10.0	10.0	10.0	10.0	10.0	10.0	10.0	10.0	10.0
5402.0	SHORT INSEAM LENGTH - C	QC	Graded		0.0	12.0	12.0	12.0	12.0	12.0	12.0	12.0	12.0	12.0
5900.0	SHORT OUTSEAM LENGTH - with waistband - A	QC	Graded		0.0	17.5	17.875	18.25	18.625	19.0	19.25	19.625	19.875	20.25
5901.0	SHORT OUTSEAM LENGTH - with waistband - B	QC	Graded		0.0	19.5	19.875	20.25	20.625	21.0	21.25	21.625	21.875	22.25
5902.0	SHORT OUTSEAM LENGTH - with waistband - C	QC	Graded		0.0	21.5	21.875	22.25	22.625	23.0	23.25	23.625	23.875	24.25
6610.0	FRONT POCKET OPENING - horizontal from side seam - along waist seam or waist stitching		Graded		0.0	1.25	1.5	1.5	1.5	1.75	1.75	1.75	2.0	2.0
6611.0	FRONT POCKET OPENING - vertical from waist seam or waist stitching		Graded		0.0	6.25	6.5	6.5	6.5	6.75	6.75	6.75	7.0	7.0
6720.0	BACK POCKET OPENING		Graded		0.0	5.75	6.0	6.0	6.0	6.25	6.25	6.25	6.5	6.5
3670.0	Zipper 1		Component		0.0	4.5	4.5	5.0	5.0	5.5	5.5	6.0	6.0	6.5

This is confidential and proprietary information of Columbia Sportswear Company. You agree that you will not disclose this information to any third party or use it for any purpose other than on behalf of Columbia. You have no right to use Columbia's name or any of its trademarks, trade names, copyrights, patents, designs or other intellectual property except as set forth in writing by Columbia.

Thumbnail

Line Slot: Washed Out Short

Merchandise Division: Sportswear

Designer: owen.kessel

Fit Engineer: bellali

Merchandise Collection: Outdoor

Developer: bellali

State: Production

Product Class: Woven Short

LO Developer: keerthis

Season: F25

Sourcing Manager: melissa.gallagher

Design: S3MS49195

Sample LO:

Production LO: India

Style Material Style

Style Description Pattern

Base Size Size Scale

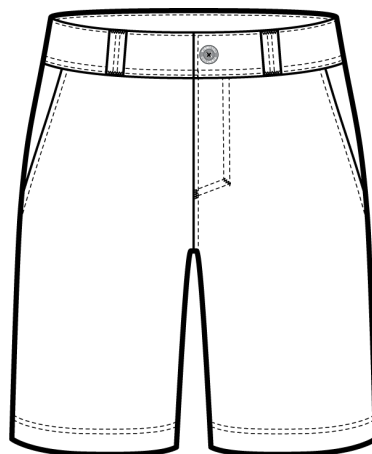
Fit SMU Type

AM4471 1491953

Washed Out™ Short M24M8059

32 28 - 44

Regular N/A



This is confidential and proprietary information of Columbia Sportswear Company. You agree that you will not disclose this information to any third party or use it for any purpose other than on behalf of Columbia. You have no right to use Columbia's name or any of its trademarks, trade names, copyrights, patents, designs or other intellectual property except as set forth in writing by Columbia.

Technical

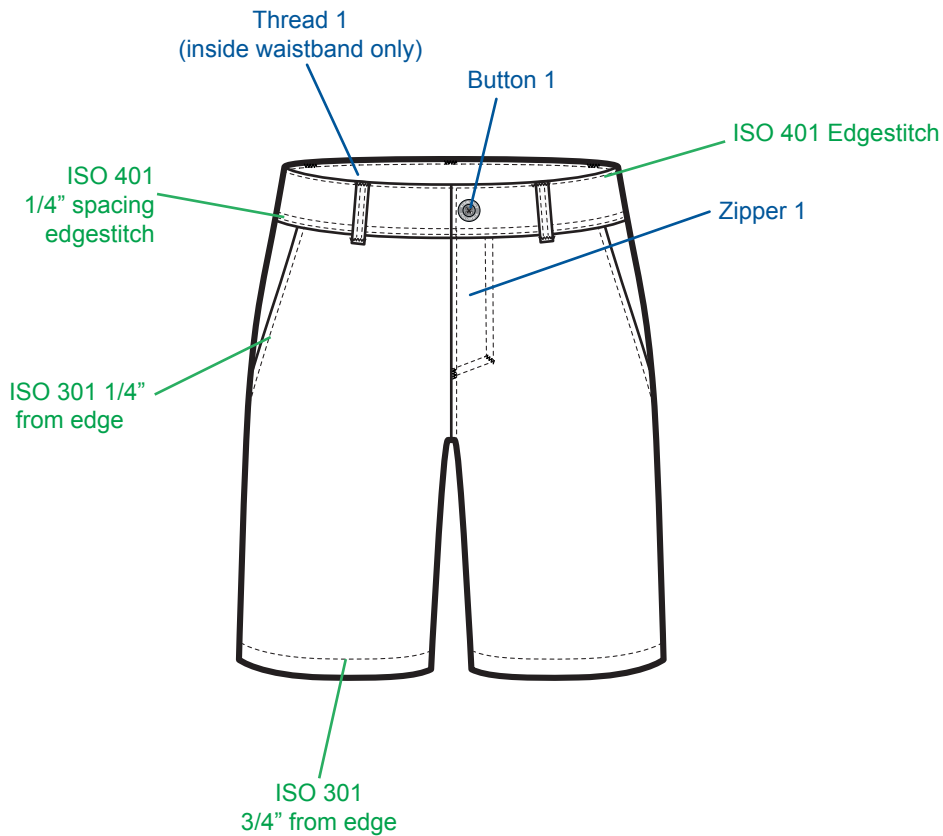
Line Slot: Washed Out Short		State: Production		Season: F25			
Merchandise Division: Sportswear	Merchandise Collection: Outdoor	Product Class: Woven Short					
Designer: owen.kessel	Developer: bellali	LO Developer: keerthis		Sourcing Manager: melissa.gallagher			
Fit Engineer: bellali							
Design:	S3MS49195	Sample LO:	Production LO:	India			
Style	Material Style	Style Description	Pattern	Base Size	Size Scale	Fit	SMU Type
AM4471	1491953	Washed Out™ Short	M24M8059	32	28 - 44	Regular	N/A



Last Updated: 1.24.23 CW

Thread 2: All stitching unless noted
 Interfacing 1: Front Fly, Waistband, back welt
 Label 1-2: Follow CSC Brand Placement Manual
 Lining 1: Pocket bags

ISO 301 edgestitch:
 All topstitching unless noted

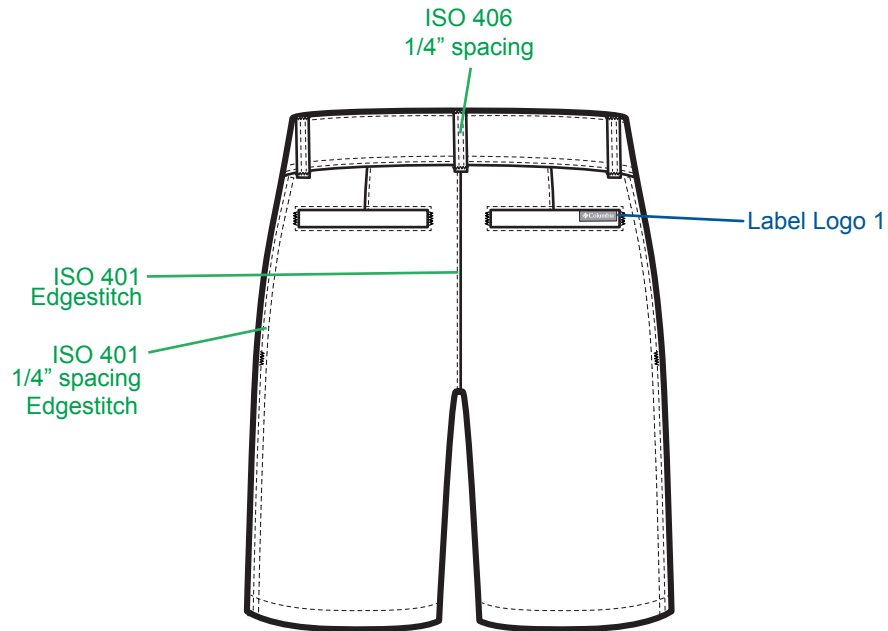


/Volumes/Sportswear/2024 SPRING/MENS/ODL/Carryovers/49195_Washed_Out_Short

Technical

Line Slot: Washed Out Short State: Production Season: F25
 Merchandise Division: Sportswear Merchandise Collection: Outdoor Product Class: Woven Short
 Designer: owen.kessel Developer: bellali LO Developer: keerthis Sourcing Manager: melissa.gallagher
 Fit Engineer: bellali

Design:	S3MS49195	Sample LO:	Production LO:	India			
Style	Material Style	Style Description	Pattern	Base Size	Size Scale	Fit	SMU Type
AM4471	1491953	Washed Out™ Short	M24M8059	32	28 - 44	Regular	N/A

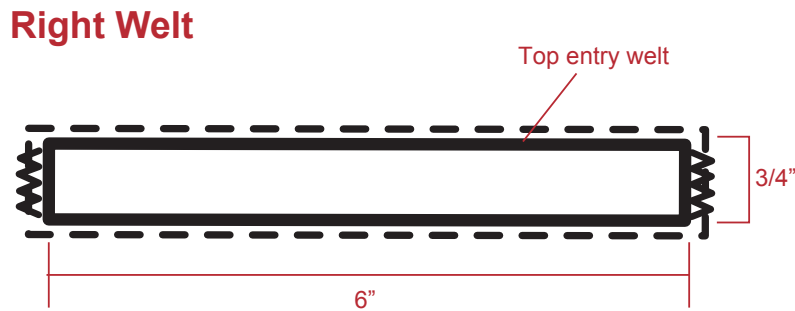
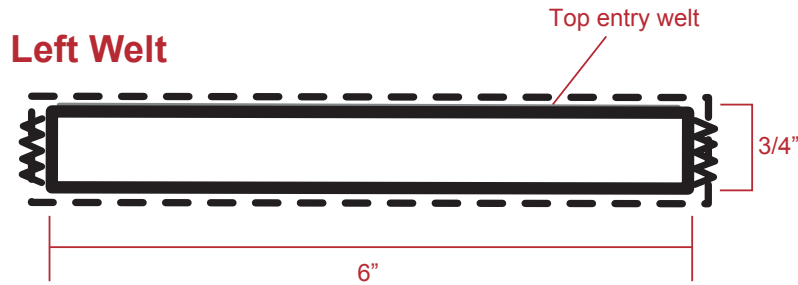


This is confidential and proprietary information of Columbia Sportswear Company. You agree that you will not disclose this information to any third party or use it for any purpose other than on behalf of Columbia. You have no right to use Columbia's name or any of its trademarks, trade names, copyrights, patents, designs or other intellectual property except as set forth in writing by Columbia.

Detail Sketch

Line Slot: Washed Out Short State: Production Season: F25
 Merchandise Division: Sportswear Merchandise Collection: Outdoor Product Class: Woven Short
 Designer: owen.kessel Developer: bellali LO Developer: keerthis Sourcing Manager: melissa.gallagher
 Fit Engineer: bellali

Design:	S3MS49195	Sample LO:	Production LO:	India			
Style	Material Style	Style Description	Pattern	Base Size	Size Scale	Fit	SMU Type
AM4471	1491953	Washed Out™ Short	M24M8059	32	28 - 44	Regular	N/A



This is confidential and proprietary information of Columbia Sportswear Company. You agree that you will not disclose this information to any third party or use it for any purpose other than on behalf of Columbia. You have no right to use Columbia's name or any of its trademarks, trade names, copyrights, patents, designs or other intellectual property except as set forth in writing by Columbia.

Hangtag Package Report

Apparel Style: AM4471

Season: F25

Brand: Columbia

Merchandise Category: Sportswear

Merchandiser: Lee.Braxton

Line Slot: Washed Out Short

Sort Order: 1.0 Part: 097305 - Columbia No Tech Hangtag
 Instruction: (FOR BOTTOMS WITH BELT LOOPS) Hangtags are to be placed on one 5" circular swift tack looped thru front belt loop nearest left side seam

SKU/Version #	Size	Name	Expiry Date
OP184553	097305	OP184553_097305_TC_Columbia_No Tech	09-26-22

TECH CARD
(Front)



TECH CARD
(Back)



SKU/Version #	Size	Name	Expiry Date
Process Blue / Process Blue	32x 42	TC-1	
Color	Material	TC-1	
2.32" x 3.43" / 58.93mm x 88.26mm	ApexCare Coating Die Cut 3mm Patch	TC-1	

Sort Order: 2.0 Part: 131417 - M Shorts Regular Joker
 Instruction: JOKER (Please place on right back waistband clear of hanger clip)

SKU/Version #	Size	Name	Expiry Date
OP1711565	131417	OP1711565_131417_JK_M_Short_Regular	07-12-24

JOKER
(Front)



JOKER
(Back)



SKU/Version #	Size	Name	Expiry Date
Black + Process Blue	32x 42	JK-13	
Color	Material	JK-13	
1.70" x 2" / 44.78mm x 50.8mm	ApexCare Coating Die Cut Score, Variable Data	JK-13	

Sort Order: 9.0 Part: 121612 - MSRP/UPC with RFID Specs for MSRP.
 Please refer to VAS specs for any exceptions. MSRP required on all product shipping to the US.
 Instruction:

