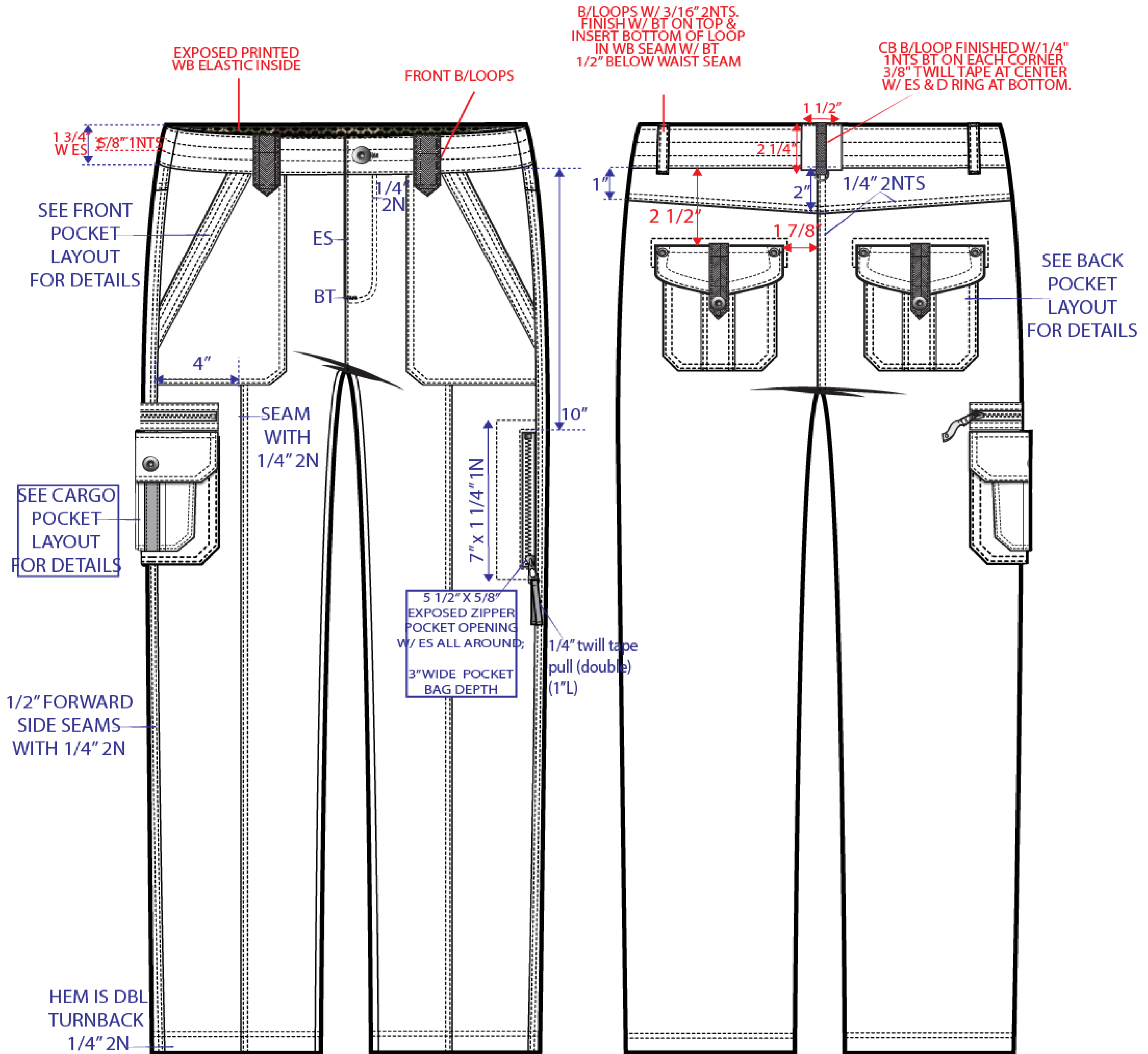


This design is intended only for the use of the individual or entity to which it is addressed and is the intellectual property of IDG, Inc. It is confidential in nature and is protected by applicable privileges and constitutes non-public information. It is intended to be conveyed only to the designated recipients. Use, dissemination or reproduction of this design by unintended recipients is not authorized and may be unlawful.



74426R11

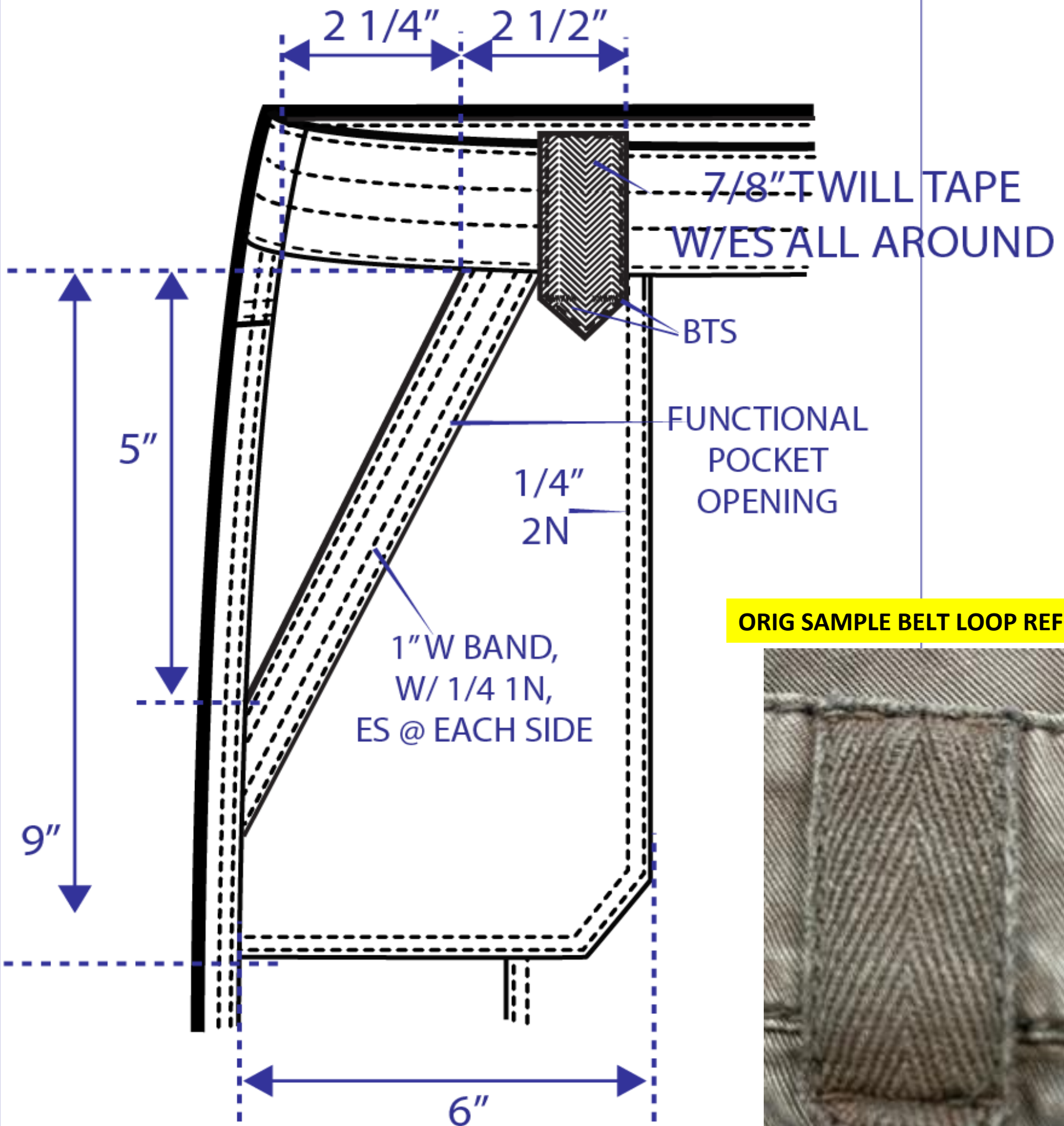
31" INSEAM / 16 1/2" LO



This design is intended only for the use of the individual or entity to which it is addressed and is the intellectual property of IDG, Inc. It is confidential in nature and is protected by applicable privileges and constitutes non-public information. It is intended to be conveyed only to the designated recipients. Use, dissemination or reproduction of this design by unintended recipients is not authorized and may be unlawful.

T534 RIVET

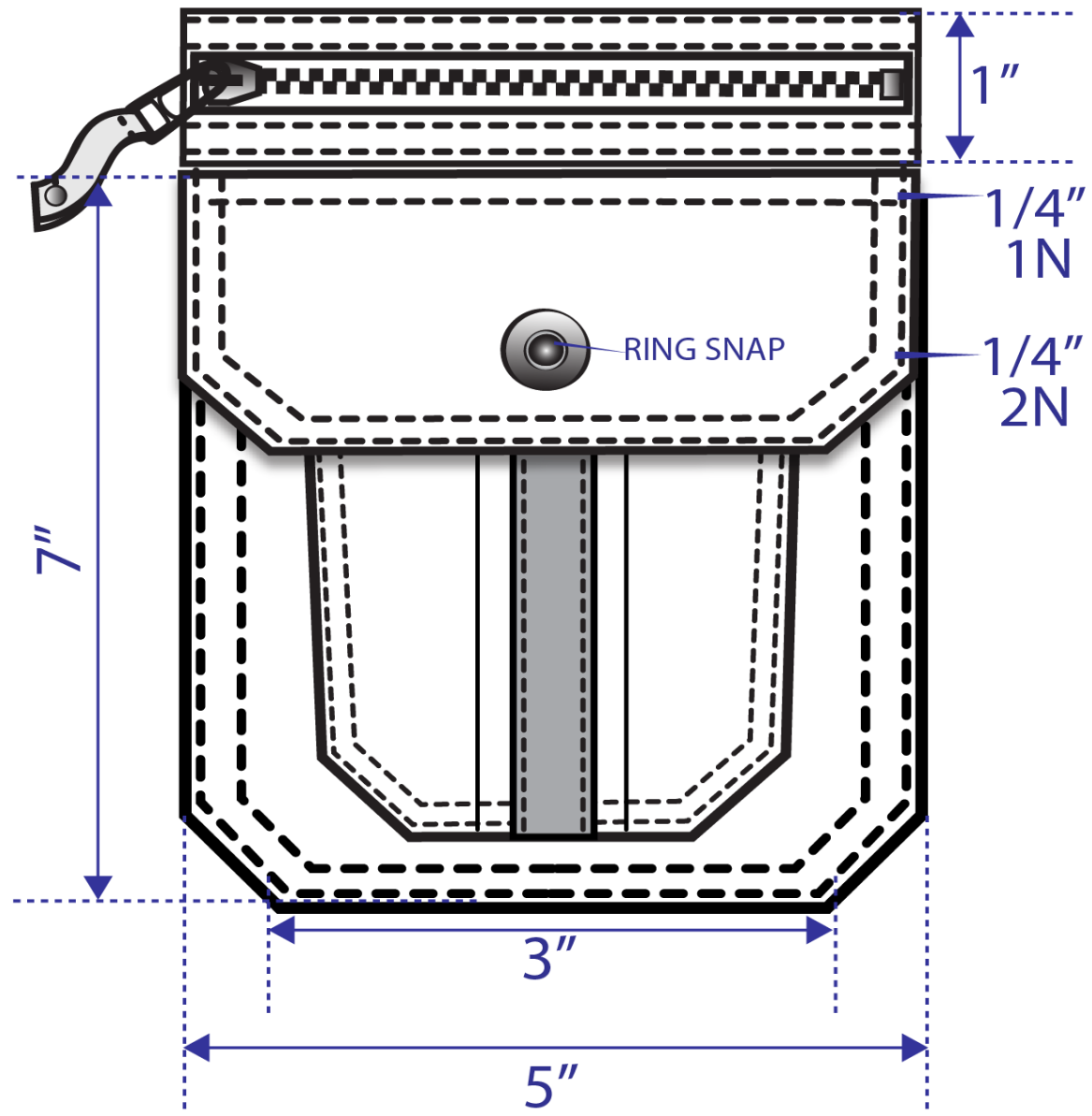
FRONT POCKET LAYOUT



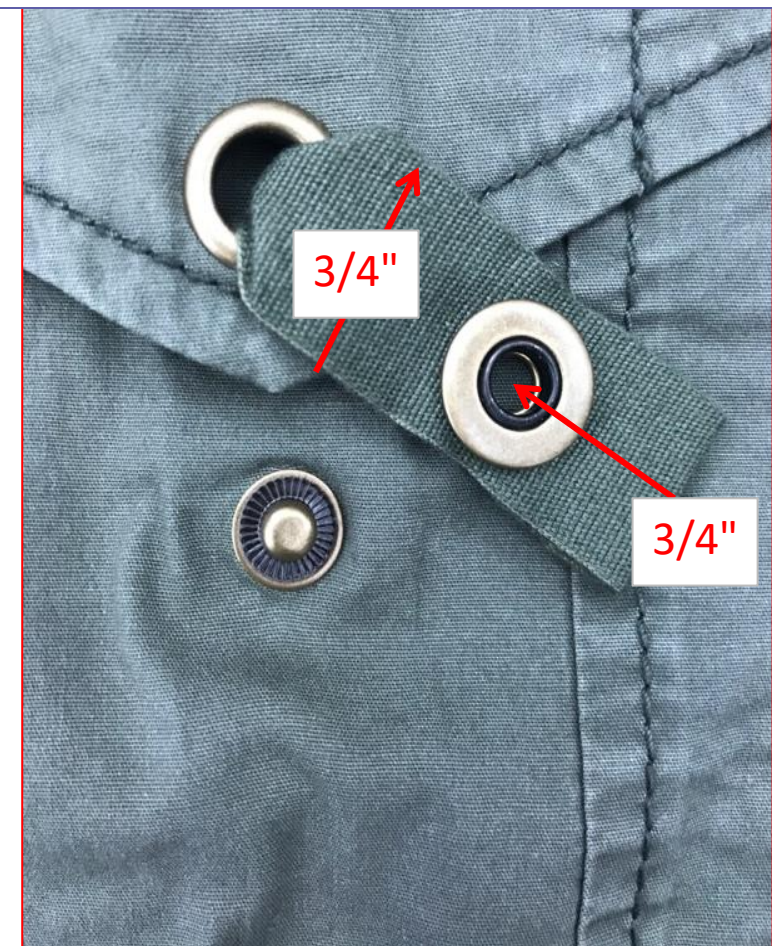
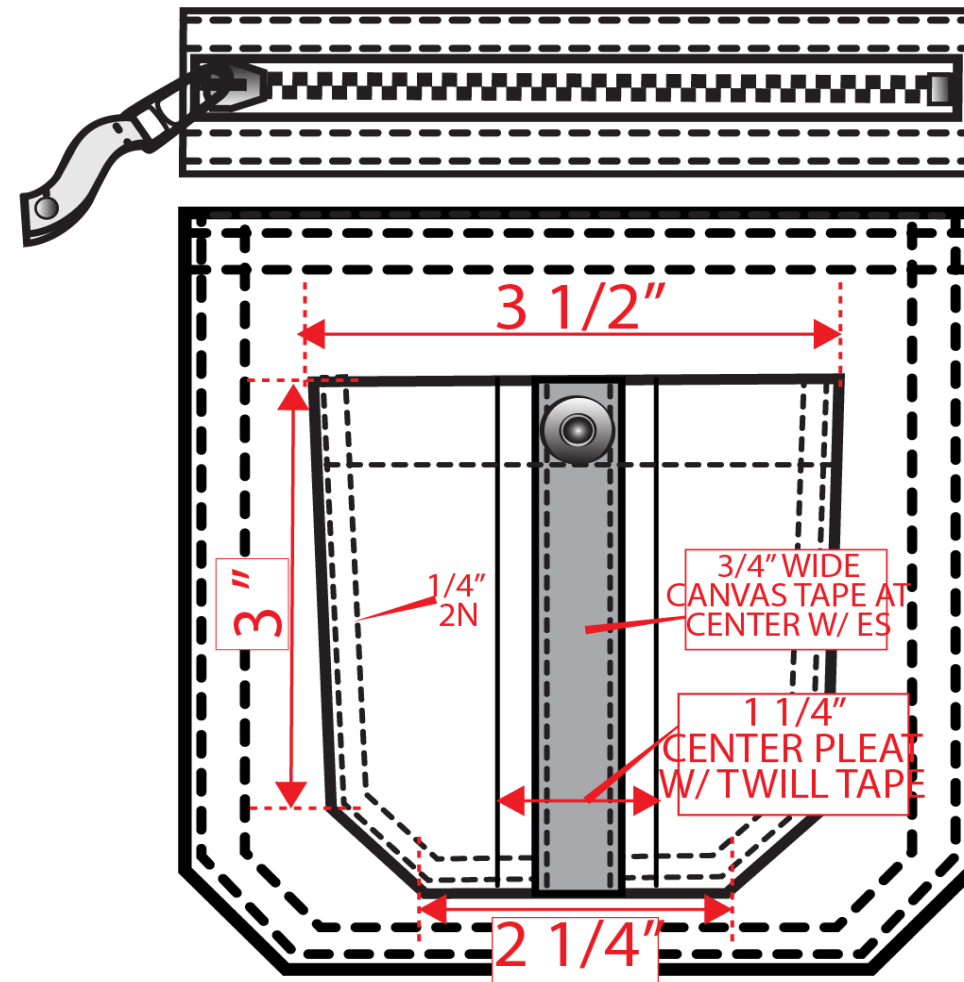
ORIG SAMPLE BELT LOOP REF



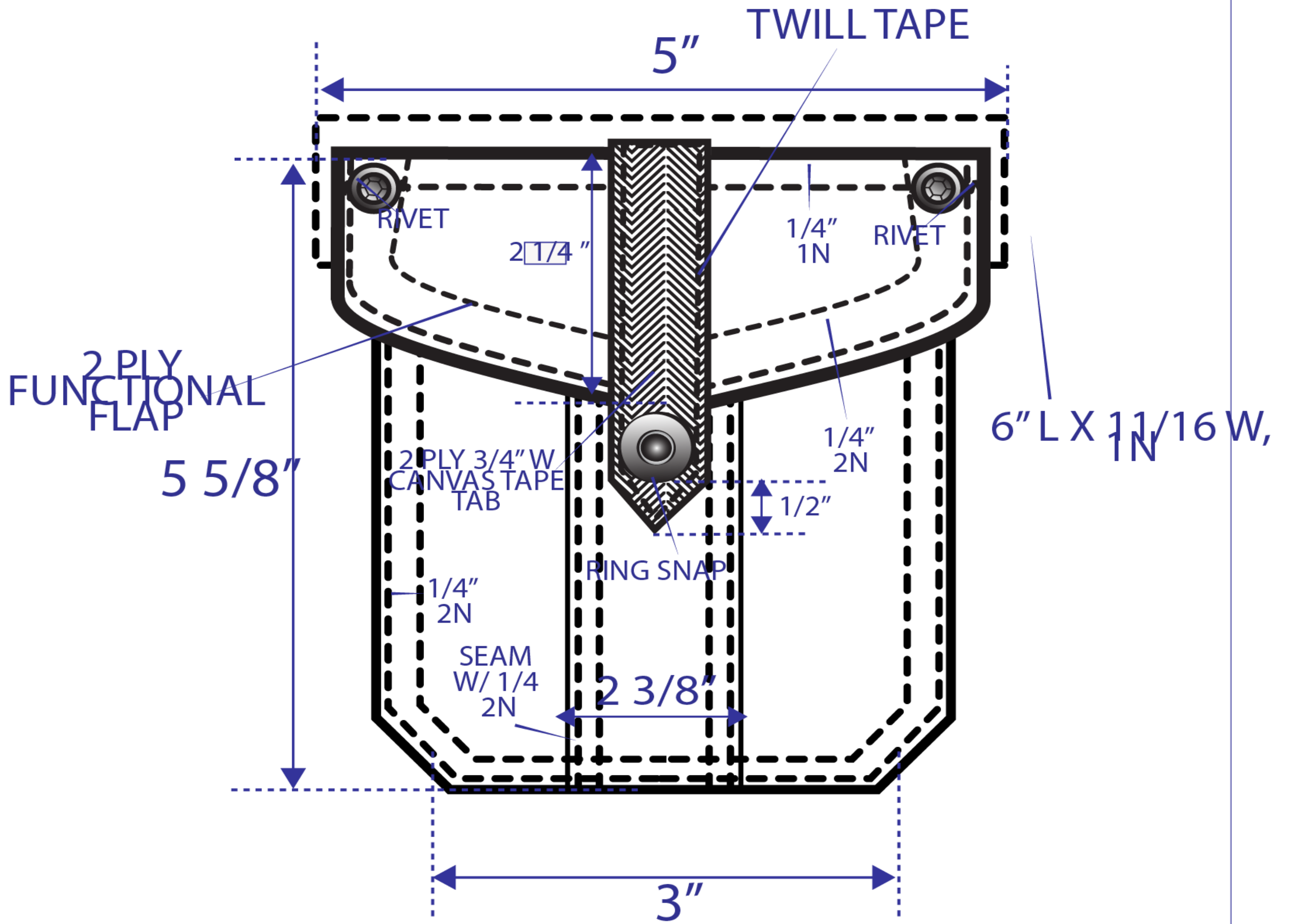
SIDE CARGO POCKET DETAILS



SIDE CARGO POCKET DETAILS UNDER FLAP



BACK POCKET DETAILS

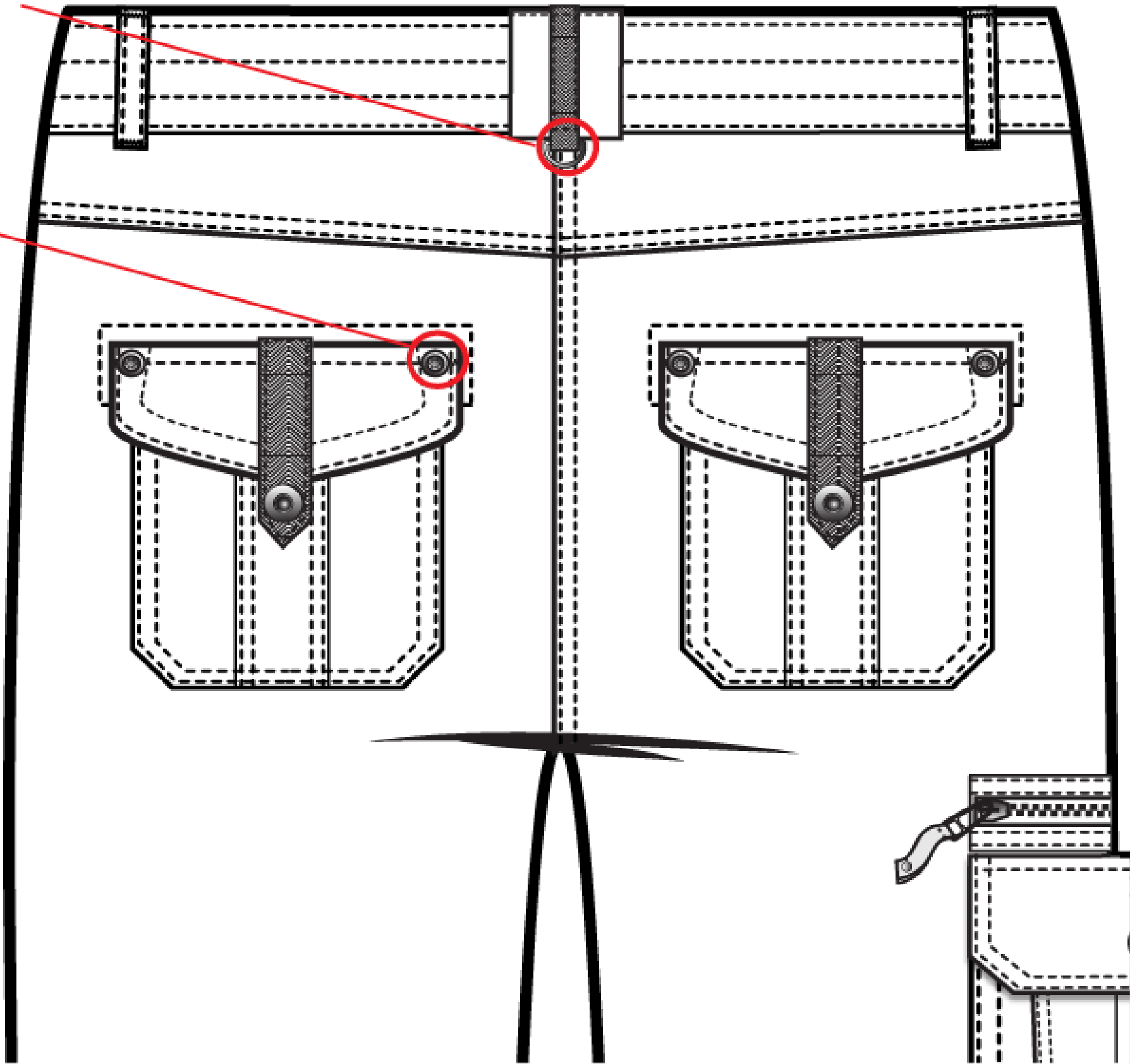


ORIG SAMPLE BELT LOOP REF



D-RING

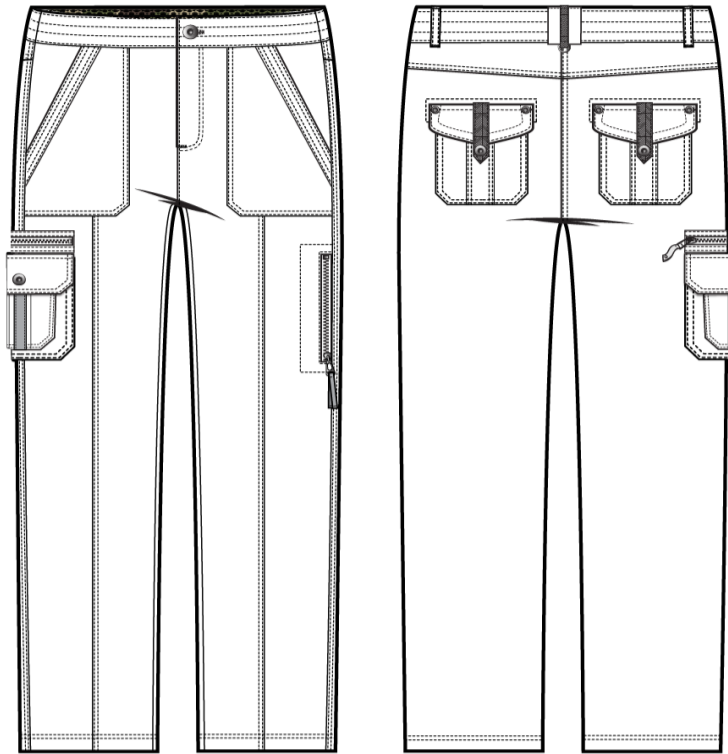
14L RIVET



STYLE 款号: 74426R11




DATE 8/21/2023

INITIAL SPEC



POM	DESCRIPTION		INITIAL SPEC
			8
1	WAIST @ TOP EDGE	腰围上口 (直量)	32
2	WAIST @ SEAM	腰围 (缝处量)	34
3	HIGH HIP (3 1/2" BELOW WB TOP ED	高臀围	37
4	LOW HIP (6 1/2" BELOW WB TOP ED	低臀围	40 1/2
5	THIGH (1" BELOW CROTCH)	腿围 (裆下1")	25 1/2
6	KNEE (14" BELOW CROTCH)	膝围 (裆 14")	18 3/4
7	FRT RISE (TO TOP OF WB)	前浪 (含腰)	9 3/4
8	BK RISE (TO TOP OF WB)	后浪 (含腰)	15 1/2
9	INSEAM		31
11	LEG OPENING	脚口	16 1/2
12	FLY LENGTH (FROM TOP OF WB TO BT	门襟长	6
13	FLY WIDTH	门襟宽	1 1/2
14	BELT LOOP L X W		2 1/4 X 1/2

Brand: **BASS PRO SHOPS** Due in NY: **COSTING** Date: **8/2/2024**

Style Number	Style Description	Fabric Ref #	Fabric Description	Fabric Color	Garment Wash & Pressing	Thread Color	Trim	Inside Waist	Label	Notes	Sample Size
74426R11	31" INSEAM CONVERTIBLE CARGO CAPRI	2302	5.9oz Stretch Twill 98% Cotton, 2% Spx 32X32+40D / 162X66 WIDTH: 57/58" 200gm AW	MOONLESS NIGHT PPD Heavy Pigment Piece Dyed	HEAVY ENZYME WASH WITH SILICONE AND SOFTENERS HI/LOW SEAM PUKCER Light Steam RUMPLED LOOK	20'S/3 7 SPI 20% DARKER THAN GROUND	<p>ALL METAL FINISH : ST03 Anti Brass</p> <p>CF BUTTON: (1 PC) "Natural Reflections" LOGO TACK BUTTONS T527 30L</p> <p>METAL ZIPPER W/ DTM TAPE: (1 PC) 4.5G ZIPPER AT CF (1 PC) 3G ZIPPER AT SIDE ZIP PKT W/ T455 METAL PULLER (1 PC) 3G ZIPPER AT SIDE ZIP ABOVE CARGO PKT W/ T455 METAL PULLER</p> <p>CANVAS TAPE: T694 -DTM - FINISHED WIDTH 3/4" - @ SIDE CARGO POCKET CENTER PLEAT. AND @ BACK PACKET FLAP</p> <p>SNAPS: T607 RING SNAP (1 PC @ SIDE CARGO POCKET FLAP) (2 PCS @ BACK POCKETS) 23L</p> <p>RIVETS: T534 14L "Natural Reflections" LOGO (2PCS @ EACH BACK POCKET),</p> <p>7) TWILL TAPE T695-DTM : 1/4" AT ZIPPER PULL AT SIDE ZIPPER POCKET & 1/4" AT ZIPPER PULL AT ABOVE CARGO POCKET</p> <p>8) HERRINGBONE TWILL DTM TAPE: 3/8" FOR BACK BELT LOOP, 7/8" FOR FRONT BELT LOOP 3/4" FOR BACK POKETS</p> <p>9.)METAL CAP TOP SNAPS: SIZE: 22L X 2 PCS +2 EXTRA MALE (HEM TABS</p> <p>10.) INNER PRINTED ELASTIC SIZE: 1 3/4" W COLOR: P4831A</p>	INNER WB : inner printed elastic 			8
74426R11	31" INSEAM CONVERTIBLE CARGO CAPRI	2302	5.9oz Stretch Twill 98% Cotton, 2% Spx 32X32+40D / 162X66 WIDTH: 57/58" 200gm AW	P2867V 	HEAVY ENZYME WASH WITH SILICONE AND SOFTENERS HI/LOW SEAM PUKCER Light Steam RUMPLED LOOK	20'S/3 7 SPI 20% DARKER THAN GROUND	<p>ALL METAL FINISH : ST03 Anti Brass</p> <p>CF BUTTON: (1 PC) "Natural Reflections" LOGO TACK BUTTONS T527 30L</p> <p>METAL ZIPPER W/ DTM TAPE: (1 PC) 4.5G ZIPPER AT CF (1 PC) 3G ZIPPER AT SIDE ZIP PKT W/ T455 METAL PULLER (1 PC) 3G ZIPPER AT SIDE ZIP ABOVE CARGO PKT W/ T455 METAL PULLER</p> <p>CANVAS TAPE: T694 -DTM - FINISHED WIDTH 3/4" - @ SIDE CARGO POCKET CENTER PLEAT. AND @ BACK PACKET FLAP</p> <p>SNAPS: T607 RING SNAP (1 PC @ SIDE CARGO POCKET FLAP) (2 PCS @ BACK POCKETS) 23L</p> <p>RIVETS: T534 14L "Natural Reflections" LOGO (2PCS @ EACH BACK POCKET),</p> <p>7) TWILL TAPE T695-DTM : 1/4" AT ZIPPER PULL AT SIDE ZIPPER POCKET & 1/4" AT ZIPPER PULL AT ABOVE CARGO POCKET</p> <p>8) HERRINGBONE TWILL DTM TAPE: 3/8" FOR BACK BELT LOOP, 7/8" FOR FRONT BELT LOOP 3/4" FOR BACK POKETS</p> <p>9.)METAL CAP TOP SNAPS: SIZE: 22L X 2 PCS +2 EXTRA MALE (HEM TABS</p> <p>10.) INNER PRINTED ELASTIC SIZE: 1 3/4" W COLOR: P4831A</p>	INNER WB : inner printed elastic 			8

