

Related Styles

Line Slot: Slack Tide Solid Camp Shirt State: Production Season: F25
 Merchandise Division: Sportswear Merchandise Collection: PFG Product Class: Woven Tops S/S
 Designer: karie.carter Developer: alicehan LO Developer: nguyen.dung Sourcing Manager: melissa.gallagher
 Fit Engineer: alicehan



Design:	S5MS157705	Sample LO:		Production LO:	India		
Style	Material Style	Style Description	Pattern	Base Size	Size Scale	Fit	SMU Type
FM7042	1577051	Slack Tide™ Camp Shirt	M15M1024	M	XS - XXL	Regular	N/A

Style	Material Style	Style Description	Design	Pattern	Base Size	Size Scale	Sample LO	Production LO
FS7042	1577052	Slack Tide™ Camp Shirt	S5MS157705	M15S1024	2X	1X - 6X		India
FJ7042	1577054	Slack Tide™ Camp Shirt	S5MS157705	M15S1024	2XT	LT - 5XT		India

This is confidential and proprietary information of Columbia Sportswear Company. You agree that you will not disclose this information to any third party or use it for any purpose other than on behalf of Columbia. You have no right to use Columbia's name or any of its trademarks, trade names, copyrights, patents, designs or other intellectual property except as set forth in writing by Columbia.

Color BOM

Line Slot: Slack Tide Solid Camp Shirt
 Merchandise Division: Sportswear
 Designer: karie.carter
 Fit Engineer: alicehan

Merchandise Collection: PFG
 Developer: alicehan

State: Production
 Product Class: Woven Tops S/S
 LO Developer: nguyen.dung

Season: F25
 Sourcing Manager: melissa.gallagher



Design: S5MS157705 Sample LO:
 Style Material Style Style Description Pattern Production LO: India
 FM7042 1577051 Slack Tide™ M15M1024 Base Size Size Scale Fit SMU Type
 Camp Shirt M XS - XXL Regular N/A

Component	Details	Placement	Usage	Width	Marker Width	010-Black	019-Cool Grey	100-White	316-Cypress	357-Misty Jade
SAP Material Code						1577052010	1577052019	1577052100	1577052316	1577052357
						1577051010	1577054019	1577051100	1577051316	1577051357
						1577054010	1577051019	1577054100	1577054316	1577054357
SMU Accounts						N/A	N/A	N/A	N/A	N/A
Shell 1	099294 SlackTide dobby UPF 50 Dobby 100% Polyester 158 X 120 50D SD DTY x 50D SD DTY UV Cut, Wicking MaterialCoatingNone MaterialLaminateNone 73.0 g/m2 Piece Dye/Jet NA		1.41 yd	54.0	54	Black	Cool Grey	White	Cypress	Misty Jade
Lining 1	055984 Polyester Microfiber Sueded face and back Interlock 100% Polyester 32 Sanded/Peached (technical back), Sanded/Peached (technical face) MaterialCoatingNone Polyethylene 147.0 g/m2 Piece Dye/Jet NA		0.01 yd	63.0	63	Cool Grey	Cool Grey	Cool Grey	Cool Grey	Cool Grey
Lining 2	200001 Mesh-Warp Knit 2mm mesh hole size Mesh 100% Polyester 28 MaterialFinishNone MaterialCoatingNone MaterialLaminateNone 65.0 g/m2 Piece Dye/Jet		0.17 yd	60.0	60	White	White	White	White	White

Color BOM

Line Slot: Slack Tide Solid Camp Shirt
 Merchandise Division: Sportswear
 Designer: karie.carter
 Fit Engineer: alicehan

Merchandise Collection: PFG
 Developer: alicehan

State: Production
 Product Class: Woven Tops S/S
 LO Developer: nguyen.dung

Season: F25
 Sourcing Manager: melissa.gallagher



Design: S5MS157705 Sample LO:
 Style Material Style Style Description Pattern Production LO: India
 FM7042 1577051 Slack Tide™ M15M1024 Base Size Size Scale Fit SMU Type
 Camp Shirt M XS - XXL Regular N/A

Component	Details	Placement	Usage	Width	Marker Width	010-Black	019-Cool Grey	100-White	316-Cypress	357-Misty Jade
SAP Material Code						157705201 0	157705201 9	157705210 0	157705231 6	157705235 7
						157705101 0	157705401 9	157705110 0	157705131 6	157705135 7
						157705401 0	157705101 9	157705410 0	157705431 6	157705435 7
Thread 1	008214 Coats ASTRA Spun Polyester Tex 27 40/2		342 meter	0.0	0	Black	Cool Grey	White	Cypress	Misty Jade
Label 1	006564 33mm Care Content ECO Booklet Fold label with fully translated country of origin WHT/BLK for most, BLK/WHT for Titanium only, GRY/BLK is for Garment DYE ONLY- waiting on updated artwork		1 ea	0.0	0	White, Black	White, Black	White, Black	White, Black	White, Black
Hangtag Package Part	111006 PFG Omni-Shade UPF 50, Omni-Wick Hangtag		1 ea	0.0	0	Artwork	Artwork	Artwork	Artwork	Artwork
Hangtag Package Part	121612 MSRP/UPC with RFID Specs for MSRP. Please refer to VAS specs for any exceptions. MSRP required on all product shipping to the US.		1 ea	0.0	0	Artwork	Artwork	Artwork	Artwork	Artwork
Hangtag Package Part	126967 Regular Fit Swing Tag		1 ea	0.0	0	Artwork	Artwork	Artwork	Artwork	Artwork
Packaging 1	980001 Polybag See Standard CCS 4200 for specifications		1 ea	0.0	0	Stock	Stock	Stock	Stock	Stock
Packaging 2	980010 UPC Bag Sticker Generic (MHW/Columbia) See CCS4400/ 4401 and MHW4402 for Mt Hardwear for instructions		1 ea	0.0	0	Artwork	Artwork	Artwork	Artwork	Artwork
Packaging 3	064194 Outer Carton for costing purpose only		1 ea	0.0	0	Stock	Stock	Stock	Stock	Stock

Color BOM

Line Slot: Slack Tide Solid Camp Shirt
 Merchandise Division: Sportswear
 Designer: karie.carter
 Fit Engineer: alicehan

Merchandise Collection: PFG
 Developer: alicehan

State: Production
 Product Class: Woven Tops S/S
 LO Developer: nguyen.dung

Season: F25
 Sourcing Manager: melissa.gallagher



Design: S5MS157705	Sample LO:	Production LO: India	
Style: Material Style	Style Description	Pattern	Base Size
FM7042	1577051	Slack Tide™ Camp Shirt	M
			Size Scale: XS - XXL
			Fit: Regular
			SMU Type: N/A

Component	Details	Placement	Usage	Width	Marker Width	456-Vintage Blue	461-Crushed Blue	464-Collegiate Navy	469-Carbon	487-Vivid Blue
SAP Material Code						157705245 6	157705246 1	157705246 4	157705246 9	157705248 7
						157705145 6	157705146 1	157705146 4	157705146 9	157705148 7
						157705445 6	157705446 1	157705446 4	157705446 9	157705448 7
SMU Accounts						N/A	N/A	N/A	N/A	N/A
Shell 1	099294 SlackTide dobby UPF 50 Dobby 100% Polyester 158 X 120 50D SD DTY x 50D SD DTY UV Cut, Wicking MaterialCoatingNone MaterialLaminateNone 73.0 g/m2 Piece Dye/Jet NA		1.41 yd	54.0	54	Vintage Blue	Crushed Blue	Collegiate Navy	Carbon	Vivid Blue
Lining 1	055984 Polyester Microfiber Sueded face and back Interlock 100% Polyester 32 Sanded/Peached (technical back), Sanded/Peached (technical face) MaterialCoatingNone Polyethylene 147.0 g/m2 Piece Dye/Jet NA		0.01 yd	63.0	63	Cool Grey	Cool Grey	Cool Grey	Cool Grey	Cool Grey
Lining 2	200001 Mesh-Warp Knit 2mm mesh hole size Mesh 100% Polyester 28 MaterialFinishNone MaterialCoatingNone MaterialLaminateNone 65.0 g/m2 Piece Dye/Jet		0.17 yd	60.0	60	White	White	White	White	White

Color BOM

Line Slot: Slack Tide Solid Camp Shirt

State: Production

Season: F25

Merchandise Division: Sportswear

Merchandise Collection: PFG

Product Class: Woven Tops S/S

Designer: karie.carter

Developer: alicehan

LO Developer: nguyen.dung

Sourcing Manager: melissa.gallagher

Fit Engineer: alicehan



Design: S5MS157705

Sample LO:

Production LO: India

Style Material Style

Style Description Pattern

Base Size

Size Scale

Fit

SMU Type

FM7042

1577051

Slack Tide™
Camp Shirt

M

XS - XXL

Regular

N/A

Component	Details	Placement	Usage	Width	Marker Width	456-Vintage Blue	461-Crushed Blue	464-Collegiate Navy	469-Carbon	487-Vivid Blue
SAP Material Code						157705245 6	157705246 1	157705246 4	157705246 9	157705248 7
						157705145 6	157705146 1	157705146 4	157705146 9	157705148 7
						157705445 6	157705446 1	157705446 4	157705446 9	157705448 7
Interfacing 1	011953 Interlining Non-Woven Fusible Medium Weight for Garment Wash Interlining 100% Polyester 40.0 g/m2		0.16 yd	60.0	60	White	White	White	White	White
Button 1	400070 20L 4H Columbia Logo Button or Lt Horn DTM (White is not available)(Call out Light Horn on BOM for Light Horn, undyed) Width: 20.0		7 ea	0.0	0	Vintage Blue	Crushed Blue	Collegiate Navy	Carbon	Vivid Blue
Direct Embroidery 1	022083 70mm Omni-Shade Embroidery 1 clr. Est st ct 774	***FOR EU/INTL/IDR ORDERS - DO NOT USE AS GARMENT STYLE DOES NOT MEET EU PPE REQUIREMENTS***See EU UPF PPE Market list from Compliance Team for countries affected.	1 ea	0.0	0	Columbia Grey	Columbia Grey	Columbia Grey	Columbia Grey	Columbia Grey
Drawcord-Cording-Laces 1	070437 2.5mm 4 color non stretch d/c		0.06 yd	0.0	0	Cool Grey, Grill, White, Nightshade	Cool Grey, Grill, White, Nightshade	Cool Grey, Grill, White, Nightshade	Cool Grey, Grill, White, Nightshade	Cool Grey, Grill, White, Nightshade
Heat Transfer Glued 1	036635 47.4mm Gem Columbia heat Transfer brand size 2 3 clr CANNOT SHOW INSEAM		1 ea	0.0	0	White, Columbia Grey, Compass Blue	White, Columbia Grey, Compass Blue	White, Columbia Grey, Compass Blue	White, Columbia Grey, Compass Blue	White, Columbia Grey, Compass Blue
Label Logo 1	080595 27mm Gem Columbia PFG Woven Clamshell Label with folded ends (Above) 2 clr		1 ea	0.0	0	Cool Grey, Nightshade	Cool Grey, Nightshade	Cool Grey, Nightshade	Cool Grey, Nightshade	Cool Grey, Nightshade
Label Logo 2	058652 51mm PFG Triangle Logo laser Cut Wvn label		1 ea	0.0	0	PMS Cool Grey 3, PMS Cool Grey 7, Nightshade, White	PMS Cool Grey 3, PMS Cool Grey 7, Nightshade, White	PMS Cool Grey 3, PMS Cool Grey 7, Nightshade, White	PMS Cool Grey 3, PMS Cool Grey 7, Nightshade, White	PMS Cool Grey 3, PMS Cool Grey 7, Nightshade, White

Color BOM

Line Slot: Slack Tide Solid Camp Shirt

State: Production

Season: F25

Merchandise Division: Sportswear

Merchandise Collection: PFG

Product Class: Woven Tops S/S

Designer: karie.carter

Developer: alicehan

LO Developer: nguyen.dung

Sourcing Manager: melissa.gallagher

Fit Engineer: alicehan



Design: S5MS157705

Sample LO:

Production LO: India

Style Material Style

Style Description Pattern

Base Size Size Scale

Fit SMU Type

FM7042 1577051

Slack Tide™
Camp Shirt M15M1024

M XS - XXL

Regular N/A

Component	Details	Placement	Usage	Width	Marker Width	456-Vintage Blue	461-Crushed Blue	464-Collegiate Navy	469-Carbon	487-Vivid Blue
SAP Material Code						157705245 6	157705246 1	157705246 4	157705246 9	157705248 7
						157705145 6	157705146 1	157705146 4	157705146 9	157705148 7
						157705445 6	157705446 1	157705446 4	157705446 9	157705448 7
Label Logo 3	057380 15mm Double-sided sun glasses woven swing label 2 clr		1 ea	0.0	0	Columbia Grey, White	Columbia Grey, White	Columbia Grey, White	Columbia Grey, White	Columbia Grey, White
Thread 1	008214 Coats ASTRA Spun Polyester Tex 27 40/2		342 meter	0.0	0	Vintage Blue	Crushed Blue	Collegiate Navy	Carbon	Vivid Blue
Label 1	006564 33mm Care Content ECO Booklet Fold label with fully translated country of origin WHT/BLK for most, BLK/WHT for Titanium only, GRY/BLK is for Garment DYE ONLY- waiting on updated artwork		1 ea	0.0	0	White, Black	White, Black	White, Black	White, Black	White, Black
Hangtag Package Part	111006 PFG Omni-Shade UPF 50, Omni-Wick Hangtag		1 ea	0.0	0	Artwork	Artwork	Artwork	Artwork	Artwork
Hangtag Package Part	121612 MSRP/UPC with RFID Specs for MSRP. Please refer to VAS specs for any exceptions. MSRP required on all product shipping to the US.		1 ea	0.0	0	Artwork	Artwork	Artwork	Artwork	Artwork
Hangtag Package Part	126967 Regular Fit Swing Tag		1 ea	0.0	0	Artwork	Artwork	Artwork	Artwork	Artwork
Packaging 1	980001 Polybag See Standard CCS 4200 for specifications		1 ea	0.0	0	Stock	Stock	Stock	Stock	Stock
Packaging 2	980010 UPC Bag Sticker Generic (MHW/Columbia) See CCS4400/ 4401 and MHW4402 for Mt Hardwear for instructions		1 ea	0.0	0	Artwork	Artwork	Artwork	Artwork	Artwork
Packaging 3	064194 Outer Carton for costing purpose only		1 ea	0.0	0	Stock	Stock	Stock	Stock	Stock

Color BOM

Line Slot: Slack Tide Solid Camp Shirt

State: Production

Season: F25

Merchandise Division: Sportswear

Merchandise Collection: PFG

Product Class: Woven Tops S/S

Designer: karie.carter

Developer: alicehan

LO Developer: nguyen.dung

Sourcing Manager: melissa.gallagher

Fit Engineer: alicehan



Design:	S5MS157705	Sample LO:		Production LO:	India		
Style	Material Style	Style Description	Pattern	Base Size	Size Scale	Fit	SMU Type
FM7042	1577051	Slack Tide™ Camp Shirt	M15M1024	M	XS - XXL	Regular	N/A

Component	Details	Placement	Usage	Width	Marker Width	551-Lavender Pearl	607-Beet	853-Melonade
SAP Material Code						1577052551 1577051551 1577054551	1577052607 1577051607 1577054607	1577052853 1577051853 1577054853
SMU Accounts						N/A	N/A	N/A
Shell 1	099294 SlackTide dobby UPF 50 Dobby 100% Polyester 158 X 120 50D SD DTY x 50D SD DTY UV Cut, Wicking MaterialCoatingNone MaterialLaminateNone 73.0 g/m2 Piece Dye/Jet NA		1.41 yd	54.0	54	Lavender Pearl	Beet	Melonade
Lining 1	055984 Polyester Microfiber Sueded face and back Interlock 100% Polyester 32 Sanded/Peached (technical back), Sanded/Peached (technical face) MaterialCoatingNone Polyethylene 147.0 g/m2 Piece Dye/Jet NA		0.01 yd	63.0	63	Cool Grey	Cool Grey	Cool Grey
Lining 2	200001 Mesh-Warp Knit 2mm mesh hole size Mesh 100% Polyester 28 MaterialFinishNone MaterialCoatingNone MaterialLaminateNone 65.0 g/m2 Piece Dye/Jet		0.17 yd	60.0	60	White	White	White
Interfacing 1	011953 Interlining Non-Woven Fusible Medium Weight for Garment Wash Interlining 100% Polyester 40.0 g/m2		0.16 yd	60.0	60	White	White	White

Color BOM

Line Slot: Slack Tide Solid Camp Shirt

State: Production

Season: F25

Merchandise Division: Sportswear

Merchandise Collection: PFG

Product Class: Woven Tops S/S

Designer: karie.carter

Developer: alicehan

LO Developer: nguyen.dung

Sourcing Manager: melissa.gallagher

Fit Engineer: alicehan



Design:	S5MS157705	Sample LO:		Production LO:	India			
Style	Material Style	Style Description	Pattern	Base Size	Size Scale	Fit	SMU Type	
FM7042	1577051	Slack Tide™ Camp Shirt	M15M1024	M	XS - XXL	Regular	N/A	

Component	Details	Placement	Usage	Width	Marker Width	551-Lavender Pearl	607-Beet	853-Melonade
SAP Material Code						1577052551 1577051551 1577054551	1577052607 1577051607 1577054607	1577052853 1577051853 1577054853
Button 1	400070 20L 4H Columbia Logo Button or Lt Horn DTM (White is not available)(Call out Light Horn on BOM for Light Horn, undyed) Width: 20.0		7 ea	0.0	0	Lavender Pearl	Beet	Melonade
Direct Embroidery 1	022083 70mm Omni-Shade Embroidery 1 clr. Est st ct 774	***FOR EU/INTL/IDR ORDERS - DO NOT USE AS GARMENT STYLE DOES NOT MEET EU PPE REQUIREMENTS***See EU UPF PPE Market list from Compliance Team for countries affected.	1 ea	0.0	0	Columbia Grey	Columbia Grey	Columbia Grey
Drawcord-Cording-Laces 1	070437 2.5mm 4 color non stretch d/c		0.06 yd	0.0	0	Cool Grey, Grill, White, Nightshade	Cool Grey, Grill, White, Nightshade	Cool Grey, Grill, White, Nightshade
Heat Transfer Glued 1	036635 47.4mm Gem Columbia heat Transfer brand size 2 3 clr CANNOT SHOW INSEAM		1 ea	0.0	0	White, Columbia Grey, Compass Blue	White, Columbia Grey, Compass Blue	White, Columbia Grey, Compass Blue
Label Logo 1	080595 27mm Gem Columbia PFG Woven Clamshell Label with folded ends (Above) 2 clr		1 ea	0.0	0	Cool Grey, Nightshade	Cool Grey, Nightshade	Cool Grey, Nightshade
Label Logo 2	058652 51mm PFG Triangle Logo laser Cut Wvn label		1 ea	0.0	0	PMS Cool Grey 3, PMS Cool Grey 7, Nightshade, White	PMS Cool Grey 3, PMS Cool Grey 7, Nightshade, White	PMS Cool Grey 3, PMS Cool Grey 7, Nightshade, White
Label Logo 3	057380 15mm Double-sided sun glasses woven swing label 2 clr		1 ea	0.0	0	Columbia Grey, White	Columbia Grey, White	Columbia Grey, White
Thread 1	008214 Coats ASTRA Spun Polyester Tex 27 40/2		342 meter	0.0	0	Lavender Pearl	Beet	Melonade
Label 1	006564 33mm Care Content ECO Booklet Fold label with fully translated country of origin WHT/BLK for most, BLK/WHT for Titanium only, GRY/BLK is for Garment DYE ONLY-waiting on updated artwork		1 ea	0.0	0	White, Black	White, Black	White, Black
Hangtag Package Part	111006 PFG Omni-Shade UPF 50, Omni-Wick Hangtag		1 ea	0.0	0	Artwork	Artwork	Artwork

Color BOM

Line Slot: Slack Tide Solid Camp Shirt

State: Production

Season: F25

Merchandise Division: Sportswear

Merchandise Collection: PFG

Product Class: Woven Tops S/S

Designer: karie.carter

Developer: alicehan

LO Developer: nguyen.dung

Sourcing Manager: melissa.gallagher

Fit Engineer: alicehan



Design: S5MS157705

Sample LO:

Production LO: India

Style Material Style

Style Description

Pattern

Base Size

Size Scale

Fit

SMU Type

FM7042

1577051

Slack Tide™
Camp Shirt

M15M1024

M

XS - XXL

Regular

N/A

Component	Details	Placement	Usage	Width	Marker Width	551-Lavender Pearl	607-Beet	853-Melonade
SAP Material Code						1577052551 1577051551 1577054551	1577052607 1577051607 1577054607	1577052853 1577051853 1577054853
Hangtag Package Part	121612 MSRP/UPC with RFID Specs for MSRP. Please refer to VAS specs for any exceptions. MSRP required on all product shipping to the US.		1 ea	0.0	0	Artwork	Artwork	Artwork
Hangtag Package Part	126967 Regular Fit Swing Tag		1 ea	0.0	0	Artwork	Artwork	Artwork
Packaging 1	980001 Polybag See Standard CCS 4200 for specifications		1 ea	0.0	0	Stock	Stock	Stock
Packaging 2	980010 UPC Bag Sticker Generic (MHW/Columbia) See CCS4400/ 4401 and MHW4402 for Mt Hardwear for instructions		1 ea	0.0	0	Artwork	Artwork	Artwork
Packaging 3	064194 Outer Carton for costing purpose only		1 ea	0.0	0	Stock	Stock	Stock

This is confidential and proprietary information of Columbia Sportswear Company. You agree that you will not disclose this information to any third party or use it for any purpose other than on behalf of Columbia. You have no right to use Columbia's name or any of its trademarks, trade names, copyrights, patents, designs or other intellectual property except as set forth in writing by Columbia.

Colorless BOM

Line Slot: Slack Tide Solid Camp Shirt State: Production Season: F25
 Merchandise Division: Sportswear Merchandise Collection: PFG Product Class: Woven Tops S/S
 Designer: karie.carter Developer: alicehan LO Developer: nguyen.dung Sourcing Manager: melissa.gallagher
 Fit Engineer: alicehan

Design: S5MS157705 Sample LO: Production LO: India

Style	Material Style	Style Description	Pattern	Base Size	Size Scale	Fit	SMU Type
FM7042	1577051	Slack Tide™ Camp Shirt	M15M1024	M	XS - XXL	Regular	N/A



Component	Details	Placement	Usage	Width	Marker Width
SAP Material Code					
Shell 1	099294 SlackTide dobby UPF 50 Dobby 100% Polyester 158 X 120 50D SD DTY x 50D SD DTY UV Cut, Wicking MaterialCoatingNone MaterialLaminateNone 73.0 g/m2 Piece Dye/Jet NA		1.41 yd	54.0	54
Lining 1	055984 Polyester Microfiber Sueded face and back Interlock 100% Polyester 32 Sanded/Peached (technical back), Sanded/Peached (technical face) MaterialCoatingNone Polyethylene 147.0 g/m2 Piece Dye/Jet NA		0.01 yd	63.0	63
Lining 2	200001 Mesh-Warp Knit 2mm mesh hole size Mesh 100% Polyester 28 MaterialFinishNone MaterialCoatingNone MaterialLaminateNone 65.0 g/m2 Piece Dye/Jet		0.17 yd	60.0	60
Interfacing 1	011953 Interlining Non-Woven Fusible Medium Weight for Garment Wash Interlining 100% Polyester 40.0 g/m2		0.16 yd	60.0	60
Button 1	400070 20L 4H Columbia Logo Button or Lt Horn DTM (White is not available)(Call out Light Horn on BOM for Light Horn, undyed) Width: 20.0		7 ea	0.0	0
Direct Embroidery 1	022083 70mm Omni-Shade Embroidery 1 clr. Est st ct 774	***FOR EU/INTL/IDR ORDERS - DO NOT USE AS GARMENT STYLE DOES NOT MEET EU PPE REQUIREMENTS***See EU UPF PPE Market list from Compliance Team for countries affected.	1 ea	0.0	0
Drawcord-Cording-Laces 1	070437 2.5mm 4 color non stretch d/c		0.06 yd	0.0	0
Heat Transfer Glued 1	036635 47.4mm Gem Columbia heat Transfer brand size 2 3 clr CANNOT SHOW INSEAM		1 ea	0.0	0
Label Logo 1	080595 27mm Gem Columbia PFG Woven Clamshell Label with folded ends (Above) 2 clr		1 ea	0.0	0
Label Logo 2	058652 51mm PFG Triangle Logo laser Cut Wvn label		1 ea	0.0	0

Colorless BOM

Line Slot: Slack Tide Solid Camp Shirt State: Production Season: F25
 Merchandise Division: Sportswear Merchandise Collection: PFG Product Class: Woven Tops S/S
 Designer: karie.carter Developer: alicehan LO Developer: nguyen.dung Sourcing Manager: melissa.gallagher
 Fit Engineer: alicehan
 Design: S5MS157705 Sample LO: Production LO: India
 Style Material Style Style Description Pattern Base Size Size Scale Fit SMU Type
 FM7042 1577051 Slack Tide™ Camp Shirt M15M1024 M XS - XXL Regular N/A



Component	Details	Placement	Usage	Width	Marker Width
SAP Material Code					
Label Logo 3	057380 15mm Double-sided sun glasses woven swing label 2 clr		1 ea	0.0	0
Thread 1	008214 Coats ASTRA Spun Polyester Tex 27 40/2		342 meter	0.0	0
Label 1	006564 33mm Care Content ECO Booklet Fold label with fully translated country of origin WHT/BLK for most, BLK/WHT for Titanium only, GRY/BLK is for Garment DYE ONLY- waiting on updated artwork		1 ea	0.0	0
Hangtag Package Part	111006 PFG Omni-Shade UPF 50, Omni-Wick Hangtag		1 ea	0.0	0
Hangtag Package Part	121612 MSRP/UPC with RFID Specs for MSRP. Please refer to VAS specs for any exceptions. MSRP required on all product shipping to the US.		1 ea	0.0	0
Hangtag Package Part	126967 Regular Fit Swing Tag		1 ea	0.0	0
Packaging 1	980001 Polybag See Standard CCS 4200 for specifications		1 ea	0.0	0
Packaging 2	980010 UPC Bag Sticker Generic (MHW/Columbia) See CCS4400/ 4401 and MHW4402 for Mt Hardwear for instructions		1 ea	0.0	0
Packaging 3	064194 Outer Carton for costing purpose only		1 ea	0.0	0

This is confidential and proprietary information of Columbia Sportswear Company. You agree that you will not disclose this information to any third party or use it for any purpose other than on behalf of Columbia. You have no right to use Columbia's name or any of its trademarks, trade names, copyrights, patents, designs or other intellectual property except as set forth in writing by Columbia.

Color Specification

Line Slot: Slack Tide Solid Camp Shirt
 Merchandise Division: Sportswear
 Designer: karie.carter
 Fit Engineer: alicehan

Merchandise Collection: PFG
 Developer: alicehan

State: Production
 Product Class: Woven Tops S/S
 LO Developer: nguyen.dung

Season: F25
 Sourcing Manager: melissa.gallagher



Design:	S5MS157705	Sample LO:		Production LO:	India				
Style	Material Style	Style Description	Pattern	Base Size	Size Scale	Fit	SMU Type		
FM7042	1577051	Slack Tide™ Camp Shirt	M15M1024	M	XS - XXL	Regular	N/A		

Component - Material	010-Black	019-Cool Grey	100-White	316-Cypress	357-Misty Jade	456-Vintage Blue	461-Crushed Blue	464-Collegiate Navy	469-Carbon	487-Vivid Blue
Shell 1 - 099294	Black	Cool Grey	White	Cypress	Misty Jade	Vintage Blue	Crushed Blue	Collegiate Navy	Carbon	Vivid Blue
Button 1 - 400070										
Thread 1 - 008214										
Lining 1 - 055984	Cool Grey	Cool Grey	Cool Grey	Cool Grey	Cool Grey	Cool Grey	Cool Grey	Cool Grey	Cool Grey	Cool Grey
Lining 2 - 200001	White	White	White	White	White	White	White	White	White	White
Interfacing 1 - 011953										
Direct Embroidery 1 - 022083	Columbia Grey	Grill	Grill	Columbia Grey	White	Columbia Grey	Columbia Grey	Columbia Grey	Columbia Grey	Columbia Grey
Drawcord-Cording-Laces 1 - 070437	Cool Grey, Grill, White, Nightshade	Cool Grey, Grill, White, Nightshade	Cool Grey, Grill, White, Nightshade	Cool Grey, Grill, White, Nightshade	Cool Grey, Grill, White, Nightshade	Cool Grey, Grill, White, Nightshade	Cool Grey, Grill, White, Nightshade	Cool Grey, Grill, White, Nightshade	Cool Grey, Grill, White, Nightshade	Cool Grey, Grill, White, Nightshade
Heat Transfer Glued 1 - 036635	White, Columbia Grey, Compass Blue	White, Columbia Grey, Compass Blue	White, Columbia Grey, Compass Blue	White, Columbia Grey, Compass Blue	White, Columbia Grey, Compass Blue	White, Columbia Grey, Compass Blue	White, Columbia Grey, Compass Blue	White, Columbia Grey, Compass Blue	White, Columbia Grey, Compass Blue	White, Columbia Grey, Compass Blue
Label Logo 1 - 080595	Cool Grey, Nightshade	Cool Grey, Nightshade	Cool Grey, Nightshade	Cool Grey, Nightshade	Cool Grey, Nightshade	Cool Grey, Nightshade	Cool Grey, Nightshade	Cool Grey, Nightshade	Cool Grey, Nightshade	Cool Grey, Nightshade
Label Logo 2 - 058652	PMS Cool Grey 3, PMS Cool Grey 7, Nightshade, White	PMS Cool Grey 3, PMS Cool Grey 7, Nightshade, White	PMS Cool Grey 3, PMS Cool Grey 7, Nightshade, White	PMS Cool Grey 3, PMS Cool Grey 7, Nightshade, White	PMS Cool Grey 3, PMS Cool Grey 7, Nightshade, White	PMS Cool Grey 3, PMS Cool Grey 7, Nightshade, White	PMS Cool Grey 3, PMS Cool Grey 7, Nightshade, White	PMS Cool Grey 3, PMS Cool Grey 7, Nightshade, White	PMS Cool Grey 3, PMS Cool Grey 7, Nightshade, White	PMS Cool Grey 3, PMS Cool Grey 7, Nightshade, White
Label Logo 3 - 057380	Columbia Grey, White	Columbia Grey, White	Columbia Grey, White	Columbia Grey, White	Columbia Grey, White	Columbia Grey, White	Columbia Grey, White	Columbia Grey, White	Columbia Grey, White	Columbia Grey, White
Label 1 - 006564	White, Black	White, Black	White, Black	White, Black	White, Black	White, Black	White, Black	White, Black	White, Black	White, Black
Hangtag Package Part - 111006	Artwork	Artwork	Artwork	Artwork	Artwork	Artwork	Artwork	Artwork	Artwork	Artwork
Hangtag Package Part - 121612										
Hangtag Package Part - 126967										
Packaging 2 - 980010										
Packaging 1 - 980001	Stock	Stock	Stock	Stock	Stock	Stock	Stock	Stock	Stock	Stock
Packaging 3 - 064194										

Color Specification

Line Slot: Slack Tide Solid Camp Shirt

State: Production

Season: F25

Merchandise Division: Sportswear

Merchandise Collection: PFG

Product Class: Woven Tops S/S

Designer: karie.carter

Developer: alicehan

LO Developer: nguyen.dung

Sourcing Manager: melissa.gallagher

Fit Engineer: alicehan

Design:	S5MS157705	Sample LO:		Production LO:	India		
Style	Material Style	Style Description	Pattern	Base Size	Size Scale	Fit	SMU Type
FM7042	1577051	Slack Tide™ Camp Shirt	M15M1024	M	XS - XXL	Regular	N/A



Component - Material	551-Lavender Pearl	607-Beet	853-Melonade
Shell 1 - 099294	Lavender Pearl	Beet	Melonade
Button 1 - 400070			
Thread 1 - 008214			
Lining 1 - 055984	Cool Grey	Cool Grey	Cool Grey
Lining 2 - 200001	White	White	White
Interfacing 1 - 011953			
Direct Embroidery 1 - 022083	Columbia Grey	Columbia Grey	Columbia Grey
Drawcord-Cording-Laces 1 - 070437	Cool Grey, Grill, White, Nightshade	Cool Grey, Grill, White, Nightshade	Cool Grey, Grill, White, Nightshade
Heat Transfer Glued 1 - 036635	White, Columbia Grey, Compass Blue	White, Columbia Grey, Compass Blue	White, Columbia Grey, Compass Blue
Label Logo 1 - 080595	Cool Grey, Nightshade	Cool Grey, Nightshade	Cool Grey, Nightshade
Label Logo 2 - 058652	PMS Cool Grey 3, PMS Cool Grey 7, Nightshade, White	PMS Cool Grey 3, PMS Cool Grey 7, Nightshade, White	PMS Cool Grey 3, PMS Cool Grey 7, Nightshade, White
Label Logo 3 - 057380	Columbia Grey, White	Columbia Grey, White	Columbia Grey, White
Label 1 - 006564	White, Black	White, Black	White, Black
Hangtag Package Part - 111006	Artwork	Artwork	Artwork
Hangtag Package Part - 121612			
Hangtag Package Part - 126967			
Packaging 2 - 980010	Stock	Stock	Stock
Packaging 1 - 980001			
Packaging 3 - 064194			

This is confidential and proprietary information of Columbia Sportswear Company. You agree that you will not disclose this information to any third party or use it for any purpose other than on behalf of Columbia. You have no right to use Columbia's name or any of its trademarks, trade names, copyrights, patents, designs or other intellectual property except as set forth in writing by Columbia.

Costing BOM

Line Slot: Slack Tide Solid Camp Shirt
 Merchandise Division: Sportswear
 Designer: karie.carter
 Fit Engineer: alicehan

Merchandise Collection: PFG
 Developer: alicehan

State: Production
 Product Class: Woven Tops S/S
 LO Developer: nguyen.dung

Season: F25
 Sourcing Manager: melissa.gallagher



Design:	S5MS157705	Sample LO:		Production LO:	India		
Style	Material Style	Style Description	Pattern	Base Size	Size Scale	Fit	SMU Type
FM7042	1577051	Slack Tide™ Camp Shirt	M15M1024	M	XS - XXL	Regular	N/A

Colorway Number	Color Way	FOB Material	CIF Material	FOB Trim	CIF Trim	Allowance %	Total FOB	Total CIF
010	Black	2.791	0.000	0.491	0.101	0.0	3.282	0.101
019	Cool Grey	2.791	0.000	0.491	0.101	0.0	3.282	0.101
100	White	2.791	0.000	0.491	0.101	0.0	3.282	0.101
316	Cypress	2.791	0.000	0.491	0.101	0.0	3.282	0.101
357	Misty Jade	2.791	0.000	0.491	0.101	0.0	3.282	0.101
456	Vintage Blue	2.791	0.000	0.491	0.101	0.0	3.282	0.101
461	Crushed Blue	2.791	0.000	0.491	0.101	0.0	3.282	0.101
464	Collegiate Navy	2.791	0.000	0.491	0.101	0.0	3.282	0.101
469	Carbon	2.791	0.000	0.491	0.101	0.0	3.282	0.101
487	Vivid Blue	2.791	0.000	0.491	0.101	0.0	3.282	0.101
551	Lavender Pearl	2.791	0.000	0.491	0.101	0.0	3.282	0.101
607	Beet	2.791	0.000	0.491	0.101	0.0	3.282	0.101
853	Melonade	2.791	0.000	0.491	0.101	0.0	3.282	0.101

Costing BOM

Line Slot: Slack Tide Solid Camp Shirt
 Merchandise Division: Sportswear
 Designer: karie.carter
 Fit Engineer: alicehan

Merchandise Collection: PFG
 Developer: alicehan

State: Production
 Product Class: Woven Tops S/S
 LO Developer: nguyen.dung

Season: F25
 Sourcing Manager: melissa.gallagher



Design:	S5MS157705	Sample LO:		Production LO:	India		
Style	Material Style	Style Description	Pattern	Base Size	Size Scale	Fit	SMU Type
FM7042	1577051	Slack Tide™ Camp Shirt	M15M1024	M	XS - XXL	Regular	N/A

Component	Material	Description	Fabric Width	Supplier	Locked	Country of Origin	Managin g Liaison Office	UoM	Target Cost	FOB Unit Cost	CIF Unit Cost	Usage	Wastage %	Total FOB	Total CIF
Shell 1	099294	SlackTide dobby UPF 50	54.0	Haren Textiles Pvt. Ltd.	Y	India	India	yd	0.0	1.8	0.0	1.410	3	2.614	0.000
Lining 1	055984	Polyester Microfiber Sueded face and back	63.0	Far Eastern Textile Ltd.	N	Taiwan	Taiwan- Taipei	yd	2.94	2.3	0.0	0.010	7	0.025	0.000
Lining 2	200001	Mesh-Warp Knit 2mm mesh hole size	60.0	Haren Textiles Pvt. Ltd.	Y	India	India	yd	0.0	0.46	0.0	0.170	7	0.084	0.000
Interfacing 1	011953	Interlining Non- Woven Fusible Medium Weight for Garment Wash	60.0	PCC asia LLC	Y	China	India	yd	0.0	0.41	0.0	0.160	3	0.068	0.000

Costing BOM

Line Slot: Slack Tide Solid Camp Shirt

State: Production

Season: F25

Merchandise Division: Sportswear

Merchandise Collection: PFG

Product Class: Woven Tops S/S

Designer: karie.carter

Developer: alicehan

LO Developer: nguyen.dung

Sourcing Manager: melissa.gallagher

Fit Engineer: alicehan



Design:

S5MS157705

Sample LO:

Production LO:

India

Style

Material Style

Style Description

Pattern

Base Size

Size Scale

Fit

SMU Type

FM7042

1577051

Slack Tide™
Camp Shirt

M15M1024

M

XS - XXL

Regular

N/A

Component	Material	Description	Fabric Width	Supplier	Locked	Country of Origin	Managin g Liaison Office	UoM	Target Cost	FOB Unit Cost	CIF Unit Cost	Usage	Wastage %	Total FOB	Total CIF
Button 1	400070	20L 4H Columbia Logo Button or Lt Horn DTM (White is not available)(Call out Light Horn on BOM for Light Horn, undyed)	0.0	BANGALORE SALES CORPORATION	Y	India	India	ea	0.0	0.0086	0.0	7.000	2.0	0.061	0.000
Direct Embroidery 1	022083	70mm Omni-Shade Embroidery 1 cr. Est st ct 774	0.0	FGV Sourced	N	unassigned	Portland	ea	0.0	0.0	0.0	1.000	2.0	0.000	0.000
Drawcord-Cording-Laces 1	070437	2.5mm 4 color non stretch d/c	0.0	FGV - Shahi Exports Pvt. (SEP) Ltd.	Y	India	India	yd	0.0	0.042	0.0	0.060	7.0	0.003	0.000

Costing BOM

Line Slot: Slack Tide Solid Camp Shirt

State: Production

Season: F25

Merchandise Division: Sportswear

Merchandise Collection: PFG

Product Class: Woven Tops S/S

Designer: karie.carter

Developer: alicehan

LO Developer: nguyen.dung

Sourcing Manager: melissa.gallagher

Fit Engineer: alicehan



Design: S5MS157705

Sample LO:

Production LO:

India

Style FM7042

Material Style 1577051

Style Description Slack Tide™

Pattern M15M1024

Base Size M

Size Scale XS - XXL

Fit Regular

SMU Type N/A

Camp Shirt

Component	Material	Description	Fabric Width	Supplier	Locked	Country of Origin	Managing Liaison Office	UoM	Target Cost	FOB Unit Cost	CIF Unit Cost	Usage	Wastage %	Total FOB	Total CIF
Heat Transfer Glued 1	036635	47.4mm Gem Columbia heat Transfer brand size 2 3 clr CANNOT SHOW INSEAM	0.0	Stapros	N	Taiwan	Taiwan-Taipei	ea	0.0	0.09	0.099	1.000	2.0	0.092	0.101
Label Logo 1	080595	27mm Gem Columbia PFG Woven Clamshell Label with folded ends (Above) 2 clr	0.0	Avery Dennison Global	N	unassigned	Portland	ea	0.0	0.03038	0.0	1.000	3.0	0.031	0.000
Label Logo 2	058652	51mm PFG Triangle Logo laser Cut Wvn label	0.0	Manohar Filaments	Y	India	India	ea	0.0	0.036	0.0	1.000	3.0	0.037	0.000
Label Logo 3	057380	15mm Double-sided sun glasses woven swing label 2 clr	0.0	Jointak Industrial Co. Ltd	N	China	Taiwan-Taipei	ea	0.0	0.0263	0.0	1.000	3.0	0.027	0.000

Costing BOM

Line Slot: Slack Tide Solid Camp Shirt

State: Production

Season: F25

Merchandise Division: Sportswear

Merchandise Collection: PFG

Product Class: Woven Tops S/S

Designer: karie.carter

Developer: alicehan

LO Developer: nguyen.dung

Sourcing Manager: melissa.gallagher

Fit Engineer: alicehan



Design: S5MS157705

Sample LO:

Production LO: India

Style Material Style

Style Description Pattern

Base Size Size Scale

Fit SMU Type

FM7042 1577051

Slack Tide™
Camp Shirt M15M1024

M XS - XXL

Regular N/A

Component	Material	Description	Fabric Width	Supplier	Locked	Country of Origin	Managing Liaison Office	UoM	Target Cost	FOB Unit Cost	CIF Unit Cost	Usage	Wastage %	Total FOB	Total CIF
Thread 1	008214	Coats ASTRA Spun Polyester Tex 27 40/2	0.0	Coats Global Thread	N	unassigned	Portland	meter	0.0	0.0003	0.0	342.000	5.0	0.108	0.000
Label 1	006564	33mm Care Content ECO Booklet Fold label with fully translated country of origin WHT/BLK for most, BLK/WHT for Titanium only, GRY/BLK is for Garment DYE ONLY- waiting on updated artwork	0.0	Avery Dennison Global	N	China	Portland	ea	0.0	0.016	0.0	1.000	3.0	0.016	0.000
Hangtag Package Part	111006	PFG Omni-Shade UPF 50, Omni-Wick Hangtag	0.0	Hang Sang Press Co. Ltd	N	unassigned	Portland	ea	0.0	0.0287	0.0	1.000	3.0	0.030	0.000

Costing BOM

Line Slot: Slack Tide Solid Camp Shirt

State: Production

Season: F25

Merchandise Division: Sportswear

Merchandise Collection: PFG

Product Class: Woven Tops S/S

Designer: karie.carter

Developer: alicehan

LO Developer: nguyen.dung

Sourcing Manager: melissa.gallagher

Fit Engineer: alicehan



Design: S5MS157705

Sample LO:

Production LO: India

Style Material Style

Style Description Pattern

Base Size Size Scale

Fit SMU Type

FM7042 1577051

Slack Tide™
Camp Shirt M15M1024

M XS - XXL

Regular N/A

Component	Material	Description	Fabric Width	Supplier	Locked	Country of Origin	Managing Liaison Office	UoM	Target Cost	FOB Unit Cost	CIF Unit Cost	Usage	Wastage %	Total FOB	Total CIF
Hangtag Package Part	121612	MSRP/UPC with RFID Specs for MSRP. Please refer to VAS specs for any exceptions. MSRP required on all product shipping to the US.	0.0	Avery Dennison Global	N	unassigned	Portland	ea	0.0	0.04875	0.0	1.000	5.0	0.051	0.000
Hangtag Package Part	126967	Regular Fit Swing Tag	0.0	Hang Sang Press Co. Ltd	N	unassigned	Portland	ea	0.0	0.023	0.0	1.000	3.0	0.024	0.000
Packaging 1	980001	Polybag See Standard CCS 4200 for specifications	0.0	Contractor	N	unassigned	Hong Kong	ea	0.0	0.0	0.0	1.000	3.0	0.000	0.000

Costing BOM

Line Slot: Slack Tide Solid Camp Shirt

State: Production

Season: F25

Merchandise Division: Sportswear

Merchandise Collection: PFG

Product Class: Woven Tops S/S

Designer: karie.carter

Developer: alicehan

LO Developer: nguyen.dung

Sourcing Manager: melissa.gallagher

Fit Engineer: alicehan



Design: S5MS157705

Sample LO:

Production LO: India

Style Material Style

Style Description Pattern

Base Size Size Scale

Fit SMU Type

FM7042 1577051

Slack Tide™
Camp Shirt

M XS - XXL

Regular N/A

Component	Material	Description	Fabric Width	Supplier	Locked	Country of Origin	Managing Liaison Office	UoM	Target Cost	FOB Unit Cost	CIF Unit Cost	Usage	Wastage %	Total FOB	Total CIF
Packaging 2	980010	UPC Bag Sticker Generic (MHW/Columbia) See CCS4400/ 4401 and MHW4402 for Mt Hardware for instructions	0.0	Avery Dennison Global	Y	China	Portland	ea	0.0	0.01089	0.0	1.000	5.0	0.011	0.000
Packaging 3	064194	Outer Carton for costing purpose only	0.0	Contractor	N	unassigned	Hong Kong	ea	0.0	0.0	0.0	1.000	3.0	0.000	0.000

Costing BOM

Line Slot: Slack Tide Solid Camp Shirt

State: Production

Season: F25

Merchandise Division: Sportswear

Merchandise Collection: PFG

Product Class: Woven Tops S/S

Designer: karie.carter

Developer: alicehan

LO Developer: nguyen.dung

Sourcing Manager: melissa.gallagher

Fit Engineer: alicehan

Design: S5MS157705

Sample LO:

Production LO: India

Style Material Style

Style Description Pattern

Base Size Size Scale

Fit SMU Type

FM7042 1577051

Slack Tide™
Camp Shirt M15M1024

M XS - XXL

Regular N/A



This is confidential and proprietary information of Columbia Sportswear Company. You agree that you will not disclose this information to any third party or use it for any purpose other than on behalf of Columbia. You have no right to use Columbia's name or any of its trademarks, trade names, copyrights, patents, designs or other intellectual property except as set forth in writing by Columbia.

Instructions

Line Slot: Slack Tide Solid Camp Shirt State: Production Season: F25

Merchandise Division: Sportswear Merchandise Collection: PFG Product Class: Woven Tops S/S

Designer: karie.carter Developer: alicehan LO Developer: nguyen.dung Sourcing Manager: melissa.gallagher

Fit Engineer: alicehan

Design: S5MS157705 Sample LO: Production LO: India

Style	Material Style	Style Description	Pattern	Base Size	Size Scale	Fit	SMU Type
FM7042	1577051	Slack Tide™ Camp Shirt	M15M1024	M	XS - XXL	Regular	N/A



Category	Subcategory	Description	Comments
BUTTONHOLES	BUTTONHOLES FUNCTIONAL	SIZED TO ACCOMMODATE BUTTON	6 Front Placket
BARTACKS	BARTACK FUNCTIONAL	3/8 INCH IN LENGTH	1 Sunglass loop 2 Chest pocket opening 4/2 Back vent opening
		1/2 INCH IN LENGTH	2/1 Side vent
EYELETS (SEWN)	EYELETS (SEWN)	SEE COMMENTS	3 Chest Pocket

This is confidential and proprietary information of Columbia Sportswear Company. You agree that you will not disclose this information to any third party or use it for any purpose other than on behalf of Columbia. You have no right to use Columbia's name or any of its trademarks, trade names, copyrights, patents, designs or other intellectual property except as set forth in writing by Columbia.

Care Report

Line Slot: Slack Tide Solid Camp Shirt State: Production Season: F25
 Merchandise Division: Sportswear Merchandise Collection: PFG Product Class: Woven Tops S/S
 Designer: karie.carter Developer: alicehan LO Developer: nguyen.dung Sourcing Manager: melissa.gallagher
 Fit Engineer: alicehan

Design: S5MS157705 Sample LO: Production LO: India
 Style Material Style Style Description Pattern Base Size Size Scale Fit SMU Type
 FM7042 1577051 Slack Tide™ M15M1024 M XS - XXL Regular N/A
 Camp Shirt



Care Code: 1050

English	Machine Wash Cold Gentle, Wash Separately, Do Not Bleach, Tumble Dry Low, Remove Promptly, Iron Low, Do Not Use Fabric Softener, Do Not Dryclean	Color Way Number	Color Way Name
French	Lavage machine à froid, Cycle délicat, Laver séparément, Ne pas utiliser d'eau de javel, Séchage machine, basse température, Sortir immédiatement de la machine, Repasser à basse température, Ne pas utiliser d'assouplissant, Nettoyage à sec interdit	010	Black
German	Schonwaschgang mit kaltem Wasser, Separat waschen, Keine Bleichmittel verwenden, Trocknen im Wäschetrockner bei niedriger Temperatur, Sofort aus dem Trockner nehmen, Bügeln mit niedriger Temperatur, Keine Weichspüler verwenden, Nicht chemisch reinigen	019	Cool Grey
Portuguese	Lavar à maquina com água fria, ciclo para roupas delicadas, Lavar separadamente, Não alvejar, Secar à máquina em temperatura baixa, Remover prontamente, Passar a ferro em baixa temperatura, Não usar amaciante, Não utilizar limpeza a seco	100	White
Spanish	Lavar a maquina con agua fría, en ciclo delicado, Lavar por separado, No usar lejía, Usar secadora a temperatura baja, Retirar inmediatamente, Planchar a temperatura baja, No usar suavizante de telas, No lavar en seco	316	Cypress
Italian	Lavare in lavatrice in acqua fredda, ciclo delicato, Lavare separatamente, Non candeggiare, Asciugare a tamburo a bassa temperatura, Rimuovere tempestivamente, Stirare con ferro a temperatura bassa, Non utilizzare ammorbidente, Non lavare a secco	357	Misty Jade
Russian	Щадящая машинная стирка в холодной воде, Стирать отдельно, Не отбеливать, Сушить при низкой температуре, Сразу убрать из сушилки, Гладить при низкой температуре, Не использовать кондиционер для тканей, Химчистка запрещена	456	Vintage Blue
Czech Republican	Praní v pračce při nízké teplotě, jemný cyklus, Prát samostatně, Nebělit, Sušení v sušičce, nízká teplota, Ihned odepnout, Žehlení při nízké teplotě, Nepoužívat aviváž, Nečistit chemicky	461	Crushed Blue
Hebrew	כביסה במכונה במים קרים, כביסה עדינה, לכבס בנפרד, לא להלבין, לייבש במייבש כביסה בחום נמוך, להסיר מיד, לגרוך בחום נמוך, לא להשתמש במרכך כביסה, לא לנקות בניקוי יבש	464	Collegiate Navy
Hungarian	Géppel mossa, hideg vízzel, kímélő programmal, Különválasztva mossa, Ne hasznájon fehéritőt, Szárítógépben alacsony hőfokon szárítsa, Mosás után azonnal vegye ki a gépből, Alacsony hőfokon vasalja, Ne hasznájon öblítőszer, Ne vegytisztítsa	469	Carbon
Polish	Prac w temperaturze nie przekraczającej 30°C, cykl delikatny, Prac oddzielnie, Nie chlorować, Można suszyć bębnowo, niska temperatura, Natychmiast usunąć, Prasować w temperaturze do 100°C, Nie używać zmiękczacza do tkanin, Nie czyścić chemicznie	487	Vivid Blue
Portuguese Brazil	Lavar à maquina com água fria, ciclo para roupas delicadas, Lavar separadamente, Não alvejar, Secar em tambor rotativo em temperatura baixa, Remover prontamente, Passar a ferro em baixa temperatura, Não usar amaciante, Não utilizar limpeza a seco	551	Lavender Pearl
Slovakian	Perte v pračce v studenej vode, šetriaci program, Perte oddelene, Neodfarbujte, Sušte v bubnovej sušičke pri nízkych otáčkach, Okamžite odstráňte, Žehlite žehličkou s nízkou teplotou, Nepoužívajte avivážne prípravky, Nečistite chemicky	607	Beet
Slovenian	Nežno mrzlo strojno pranje, Prati posebej, Ne belite, Nizko strojno sušenje, Odstraniti takoj, Nizko likanje, Ne uporabljati mehčalca, Ne suho čistiti	853	Melonade
Spanish Latin American	Lavar a maquina con agua fría, en ciclo delicado, Lavar por separado, No usar blanqueador, Usar secadora a temperatura baja, Retirar inmediatamente, Planchar a temperatura baja, No usar suavizante de telas, No lavar en seco		
Turkish	Makinada Yikanır, Soğuk, Narin Program, Ayrı Yıkayın, Ağartıcı Kullanmayın, Tambur Kurutma, Düşük, Hemen Çıkarın, Düşük Isıda Ütüleyin, Çamaşır Yumuşatıcısı Kullanmayın, Kuru Temizleme Yapmayın		
Chinese Simplified	冷水慢循环机洗, 分开洗涤, 请勿漂白, 低温滚筒烘干, 及时拆除, 低温熨烫, 请勿使用织物柔软剂, 请勿干洗		
Chinese Traditional	冷水慢迴圈機洗, 分開洗滌, 請勿漂白, 低溫滾筒烘乾, 及時拆除, 低溫熨燙, 請勿使用織物柔軟劑, 請勿乾洗		
Japanese	洗濯機水洗い(デリケートコース)、個別に洗濯してください、漂白剤使用不可、乾燥機使用可(低温)、すぐに外してください、アイロン可(低温)、柔軟剤の使用不可、ドライクリーニング不可		
Korean	, , 가, , , 가,		
Danish	Kold maskinvask, skåneprogram, Vask separat, Må ikke afbleges, Tør i tørretumbler, lav, Fjern med det samme, Stryges ved lav temperatur, Brug ikke skyllemiddel, Må ikke renses kemisk		

Care Report

Line Slot: Slack Tide Solid Camp Shirt

State: Production

Season: F25

Merchandise Division: Sportswear

Merchandise Collection: PFG

Product Class: Woven Tops S/S

Designer: karie.carter

Developer: alicehan

LO Developer: nguyen.dung

Sourcing Manager: melissa.gallagher

Fit Engineer: alicehan



Design: S5MS157705

Sample LO:

Production LO: India

Style Material Style

Style Description Pattern

Base Size

Size Scale

Fit

SMU Type

FM7042

1577051

Slack Tide™
Camp Shirt

M

XS - XXL

Regular

N/A

Norwegian	Maskinvask kald, forsiktig, Vaskes separat, Må ikke blekes, Tørketrommel, lav, Fjernes umiddelbart, Strykes lav temp., Ikke bruk tøymykner, Skal ikke renses
Swedish	Maskintvättas kallt mjuk cykel, Tvättas separat, Får inte blekas, Torktumlas på låg nivå, Ta bort omgående, Stryks på lägsta nivå, Sköljmedel får inte användas, Kemtvättas inte
Dutch	Koud wassen in wasmachine op zacht, Apart wassen, Niet bleken, In droger op laag, Meteen verwijderen, Op laag strijken, Geen wasverzachter gebruiken, Niet laten stomen
French Canadian	Laver à la machine à l'eau froide, cycle délicat, Laver séparément, Ne pas utiliser d'agent de blanchiment, Séchage par culbutage à basse température, Retirer aussitôt sec, Repasser à basse température, Ne pas utiliser d'assouplisseur, Ne pas nettoyer à sec



Content Report

Line Slot: Slack Tide Solid Camp Shirt	State: Production	Season: F25					
Merchandise Division: Sportswear	Merchandise Collection: PFG	Product Class: Woven Tops S/S					
Designer: karie.carter	Developer: alicehan	LO Developer: nguyen.dung					
Fit Engineer: alicehan		Sourcing Manager: melissa.gallagher					
Design: S5MS157705	Sample LO:	Production LO: India					
Style: FM7042	Material Style: 1577051	Style Description: Slack Tide™ Camp Shirt	Pattern: M15M1024	Base Size: M	Size Scale: XS - XXL	Fit: Regular	SMU Type: N/A



CONTENT CODE: BVO		Color Way Number	Color Way Name
Shell:	100% Polyester		
Lining:	100% Polyester Exclusive of Trimming		
FRENCH	Extérieur: 100% Polyester Doublure: 100% Polyester Sauf les bordures	010	Black
GERMAN	Außenhülle: 100% Polyester Futter: 100% Polyester Ohne Besatz	019	Cool Grey
PORTUGUESE	Exterior: 100% Poliéster Revestimento: 100% Poliéster Sem orlas	100	White
SPANISH	Cubierta: 100% Poliéster Revestimiento: 100% Poliéster Exclusivo de los ribetes	316	Cypress
ITALIAN	Guscio esterno: 100% Poliestere Fodera: 100% Poliestere Ad eccezione dei bordini	461	Crushed Blue
RUSSIAN	Оболочка: 100% Полиэфир Подклад: 100% Полиэфир Без дополнительных деталей	464	Collegiate Navy
CZECH REPUBLICAN	Skořepina: 100% Polyester Podšívka: 100% Polyester Bez nášivek	469	Carbon
HEBREW	מעטפת חיצונית: 100% פוליאסטר בטנה: 100% פוליאסטר ללא קישוט	487	Vivid Blue
HUNGARIAN	Külső: 100% Poliészter Bélés: 100% Poliészter Szegélydíszen kívül	551	Lavender Pearl
POLISH	Powłoka: 100% Poliester Podszewka: 100% Poliester Wyłączając naszywki	607	Beet
PORTUGUESE BRAZIL	Exterior: 100% Poliéster Forro: 100% Poliéster Sem adornos	853	Melonade
SLOVAKIAN	Plášť: 100% Polyester Podšívka: 100% Polyester Okrem lemovania	357	Misty Jade
SLOVENIAN	Lupina: 100% Poliester Podloga: 100% Poliester Brez obrezovanja	456	Vintage Blue
SPANISH LATIN AMERICAN	Cubierta: 100% Poliéster Revestimiento: 100% Poliéster Exclusivo de los ribetes		
TURKISH	Kabuk: 100% Polyester Astar: 100% Polyester Süsler Hariç		

Content Report

Line Slot: Slack Tide Solid Camp Shirt
 Merchandise Division: Sportswear
 Designer: karie.carter
 Fit Engineer: alicehan

Merchandise Collection: PFG
 Developer: alicehan

State: Production
 Product Class: Woven Tops S/S
 LO Developer: nguyen.dung

Season: F25
 Sourcing Manager: melissa.gallagher



Design:	S5MS157705	Sample LO:		Production LO:	India		
Style	Material Style	Style Description	Pattern	Base Size	Size Scale	Fit	SMU Type
FM7042	1577051	Slack Tide™ Camp Shirt	M15M1024	M	XS - XXL	Regular	N/A

CHINESE SIMPLIFIED	外壳:	100% 聚酯
	衬里:	100% 聚酯 不包括装饰品
CHINESE TRADITIONAL	外壳:	100% 聚酯
	衬里:	100% 聚酯 不包括装饰品
JAPANESE	シエル:	100% ポリエステル
	裏地:	100% ポリエステル 装飾品を除く
KOREAN	:	100%
	:	100%
DANISH	Skal:	100% Polyester
	Foring:	100% Polyester Inkluderer ikke kant
NORWEGIAN	Skall:	100% Polyester
	Foring:	100% Polyester Eksklusiv trimming
SWEDISH	Ytterdel:	100% Polyester
	Foder:	100% Polyester Utan trimming
DUTCH	Schelp:	100% Polyester
	Bekleding:	100% Polyester Exclusief trimmen
FRENCH CANADIAN	Extérieur:	100% Polyester
	Doublure:	100% Polyester Exclut les bordures

Pattern Piece Detail

Line Slot: Slack Tide Solid Camp Shirt		State: Production	Season: F25				
Merchandise Division: Sportswear	Merchandise Collection: PFG	Product Class: Woven Tops S/S					
Designer: karie.carter	Developer: alicehan	LO Developer: nguyen.dung	Sourcing Manager: melissa.gallagher				
Fit Engineer: alicehan							
Design: S5MS157705	Sample LO:	Production LO:	India				
Style	Material Style	Style Description	Pattern	Base Size	Size Scale	Fit	SMU Type
FM7042	1577051	Slack Tide™ Camp Shirt	M15M1024	M	XS - XXL	Regular	N/A



M15M1024 -

Component	Quantity	Long Description	Abbreviation	Code
-----------	----------	------------------	--------------	------

This is confidential and proprietary information of Columbia Sportswear Company. You agree that you will not disclose this information to any third party or use it for any purpose other than on behalf of Columbia. You have no right to use Columbia's name or any of its trademarks, trade names, copyrights, patents, designs or other intellectual property except as set forth in writing by Columbia.

Measurements

Line Slot: Slack Tide Solid Camp Shirt
 Merchandise Division: Sportswear
 Designer: karie.carter
 Fit Engineer: alicehan

Merchandise Collection: PFG
 Developer: alicehan

State: Production
 Product Class: Woven Tops S/S
 LO Developer: nguyen.dung

Season: F25
 Sourcing Manager: melissa.gallagher



Design: S5MS157705	Sample LO:	Production LO: India	
Style: Material Style	Style Description	Pattern	Base Size
FM7042	1577051	Slack Tide™ Camp Shirt	M15M1024
			M
			XS - XXL
			Fit Regular
			SMU Type N/A

Sort Order	Use	Type	Placemen t	(+/-)	XS	S	M	L	XL	XXL	
Grade Rule: SP Mens Woven Top XXS-XXL (M) - NT - Block: null											
345.0	CHEST (1 inch blw armhole)	QC	Graded		0.0	40.0	43.0	46.0	49.0	52.0	55.0
372.0	SHOULDER WIDTH	QC	Graded		0.0	17.5	18.5	19.5	20.5	21.5	22.5
379.0	SLEEVE LENGTH (CB) SHORT	QC	Graded		0.0	18.25	18.75	19.5	20.25	21.0	21.5
381.0	SLEEVE WIDTH (1 inch blw armhole)	QC	Graded		0.0	17.875	18.625	19.375	20.125	20.875	21.625
392.0	SLEEVE OPENING SHORT	QC	Graded		0.0	15.125	15.75	16.375	17.0	17.625	18.25
430.0	CENTER BACK LENGTH	QC	Graded		0.0	28.0	29.0	30.0	31.0	32.0	32.5
474.0	YOKE HEIGHT AT CB		Graded		0.0	3.625	3.75	3.875	4.0	4.125	4.25
478.0	NECK CIRCUMFERENCE	QC	Graded		0.0	16.0	17.0	18.0	19.0	20.0	21.0
494.0	COLLAR LENGTH AT TOP	QC	Graded		0.0	16.5	17.5	18.5	19.5	20.5	21.5
498.0	COLLAR HEIGHT AT CB		Graded		0.0	1.875	1.875	1.875	1.875	1.875	1.875
504.0	COLLAR STAND HEIGHT		Graded		0.0	1.25	1.25	1.25	1.25	1.25	1.25
508.0	FRONT PLACKET WIDTH		Graded		0.0	1.25	1.25	1.25	1.25	1.25	1.25
1600.0	SWEEP WIDTH - circumference - at top of vent	QC	Varies By Style		0.75	40.0	43.0	46.0	49.0	52.0	55.0
3680.0	COLLAR POINT LENGTH		Graded		0.0	2.25	2.25	2.25	2.25	2.25	2.25
6501.0	CHEST POCKET WIDTH		Varies By Style		0.125	4.5	4.5	4.75	4.75	5.0	5.0
6502.0	CHEST POCKET HEIGHT		Varies By Style		0.125	5.25	5.25	5.5	5.5	5.75	5.75
6950.0	SIDE SEAM VENT LENGTH		Varies By Style		0.125	2.0	2.0	2.0	2.0	2.0	2.0

Measurements

Line Slot: Slack Tide Solid Camp Shirt		State: Production		Season: F25			
Merchandise Division: Sportswear		Merchandise Collection: PFG		Product Class: Woven Tops S/S			
Designer: karie.carter		Developer: alicehan		LO Developer: nguyen.dung			
Fit Engineer: alicehan				Sourcing Manager: melissa.gallagher			
Design:	S5MS157705	Sample LO:		Production LO:	India		
Style	Material Style	Style Description	Pattern	Base Size	Size Scale	Fit	SMU Type
FM7042	1577051	Slack Tide™ Camp Shirt	M15M1024	M	XS - XXL	Regular	N/A



Sort Order		Use	Type	Placemen t	(+/-)	XS	S	M	L	XL	XXL
930.0	Drawcord-Cording-Laces 1		Compon ent		0.0	1.5	1.5	1.5	1.5	1.5	1.5

This is confidential and proprietary information of Columbia Sportswear Company. You agree that you will not disclose this information to any third party or use it for any purpose other than on behalf of Columbia. You have no right to use Columbia's name or any of its trademarks, trade names, copyrights, patents, designs or other intellectual property except as set forth in writing by Columbia.

Sales Sample Comments - FM7042

Line Slot: Slack Tide Solid Camp Shirt		State: Production		Season: F25				
Designer: karie.carter		Developer: alicehan		LO Developer: nguyen.dung				
Sourcing Manager: melissa.gallagher								
Style	Material Style	Style Description	Design	Pattern	Base Size	Size Scale	Sample LO	Production LO
FM7042	1577051	Slack Tide™ Camp Shirt	S5MS157705	M15M1024	M	XS - XXL		India



Report #: 0000063981	Office: India	Factory Code: SEP	Factory Name: SHAHI EXPORTS PVT. LTD.
Sample Sizes: M	Estimated First Buy Date:		Factory Country of Origin: India
Comments: 357 , 456, 853			

MEASUREMENT CHART - SIZE M

Point of Measure	Use	Type	(+/-)	Requested	LO Actual	Difference	QA Actual	Difference
SWEEP WIDTH - circumference - at top of vent	QC	Varies By Style	0.75	46.0				
CHEST (1 inch blw armhole)	QC	Graded	0.0	46.0				
SHOULDER WIDTH	QC	Graded	0.0	19.5				
SLEEVE LENGTH (CB) SHORT	QC	Graded	0.0	19.5				
SLEEVE WIDTH (1 inch blw armhole)	QC	Graded	0.0	19.375				
SLEEVE OPENING SHORT	QC	Graded	0.0	16.375				
CENTER BACK LENGTH	QC	Graded	0.0	30.0				
NECK CIRCUMFERENCE	QC	Graded	0.0	18.0				
COLLAR LENGTH AT TOP	QC	Graded	0.0	18.5				

Liaison Office Comments dkalpana 9/30/2024 12:32:40 AM

Fabric

Actual fabric used in sample.

Trims

Substitute thread used for Color:456

Embellishment

N/A

Sales Sample Comments - FM7042

Line Slot: Slack Tide Solid Camp Shirt

State: Production

Season: F25

Designer: karie.carter

Developer: alicehan

LO Developer: nguyen.dung

Sourcing Manager: melissa.gallagher



Style	Material Style	Style Description	Design	Pattern	Base Size	Size Scale	Sample LO	Production LO
FM7042	1577051	Slack Tide™ Camp Shirt	S5MS157705	M15M1024	M	XS - XXL		India

Report #: 0000063981

Office: India

Factory Code: SEP

Factory Name: SHAHI EXPORTS PVT. LTD.

Sample Sizes: M

Estimated First Buy Date:

Factory Country of Origin: India

Comments: 357 , 456, 853

Garment dye/Wash

Non-wash

Measurement

Measurement at Chest width (by 1 inch),Chest pocket opening,Shoulder width and sleeve opening measurement out of tolerance by 0.25 inch.

Construction

* Pocket attaching puckering and shape off

Inhouse GPT - Pending

Blitz -

Heat transfer

Product Developer Comments

This is confidential and proprietary information of Columbia Sportswear Company. You agree that you will not disclose this information to any third party or use it for any purpose other than on behalf of Columbia. You have no right to use Columbia's name or any of its trademarks, trade names, copyrights, patents, designs or other intellectual property except as set forth in writing by

Sales Sample Comments - FM7042

Line Slot: Slack Tide Solid Camp Shirt

State: Production

Season: F25

Designer: karie.carter

Developer: alicehan

LO Developer: nguyen.dung

Sourcing Manager: melissa.gallagher



Style	Material Style	Style Description	Design	Pattern	Base Size	Size Scale	Sample LO	Production LO
FM7042	1577051	Slack Tide™ Camp Shirt	S5MS157705	M15M1024	M	XS - XXL		India

Report #: 0000063981

Office: India

Factory Code: SEP

Factory Name: SHAHI EXPORTS PVT. LTD.

Sample Sizes: M

Estimated First Buy Date:

Factory Country of Origin: India

Comments: 357 , 456, 853

Columbia.

Thumbnail

Line Slot: Slack Tide Solid Camp Shirt

Merchandise Division: Sportswear

Designer: karie.carter

Fit Engineer: alicehan

Merchandise Collection: PFG

Developer: alicehan

State: Production

Product Class: Woven Tops S/S

LO Developer: nguyen.dung

Season: F25

Sourcing Manager: melissa.gallagher

Design: S5MS157705

Style Material Style

FM7042 1577051

Sample LO:

Style Description

Slack Tide™
Camp Shirt

Pattern

M15M1024

Production LO: India

Base Size

M

Size Scale

XS - XXL

Fit

Regular

SMU Type

N/A



This is confidential and proprietary information of Columbia Sportswear Company. You agree that you will not disclose this information to any third party or use it for any purpose other than on behalf of Columbia. You have no right to use Columbia's name or any of its trademarks, trade names, copyrights, patents, designs or other intellectual property except as set forth in writing by Columbia.

Technical

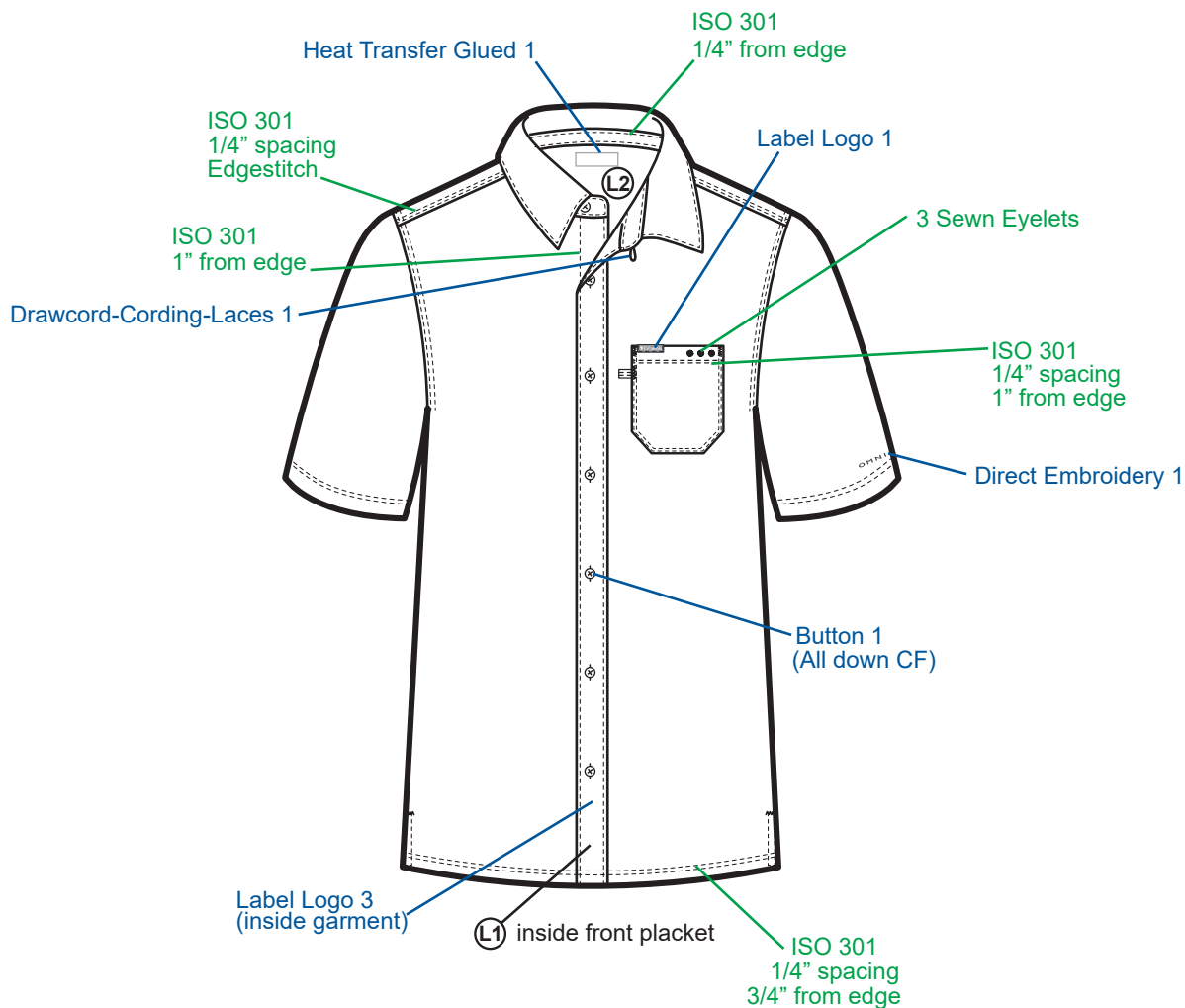
Line Slot: Slack Tide Solid Camp Shirt		State: Production	Season: F25				
Merchandise Division: Sportswear	Merchandise Collection: PFG	Product Class: Woven Tops S/S					
Designer: karie.carter	Developer: alicehan	LO Developer: nguyen.dung	Sourcing Manager: melissa.gallagher				
Fit Engineer: alicehan							
Design: S5MS157705	Sample LO:	Production LO:	India				
Style	Material Style	Style Description	Pattern	Base Size	Size Scale	Fit	SMU Type
FM7042	1577051	Slack Tide™ Camp Shirt	M15M1024	M	XS - XXL	Regular	N/A



Last Updated: 08.23.2022 CD

All Topstitching is ISO 301 Edgestitch unless otherwise noted
 Use X stitch on all Buttons

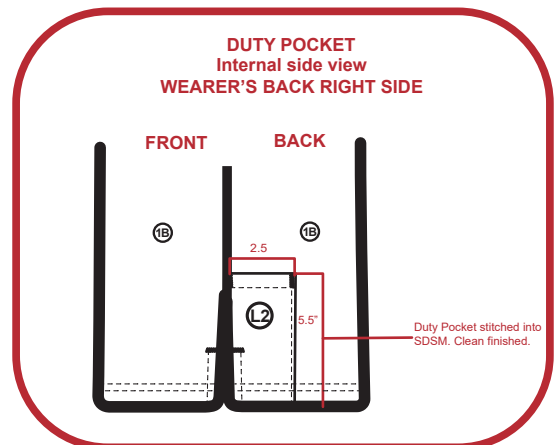
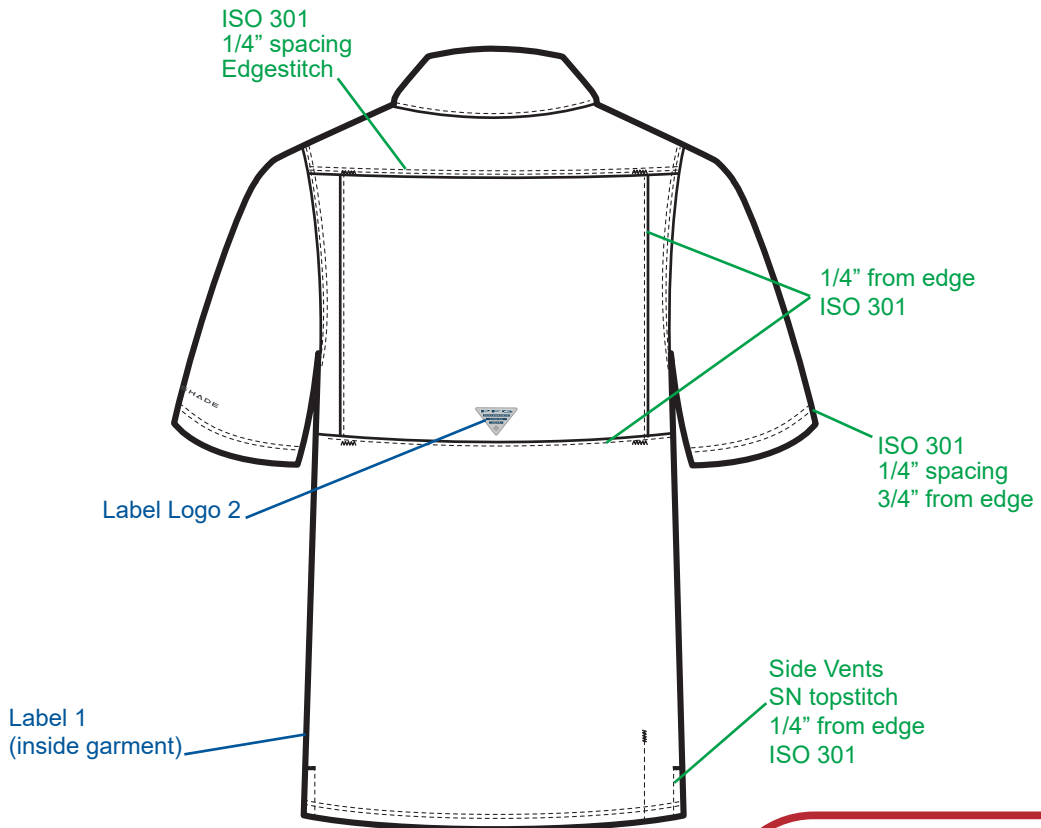
****All Shell ① Unless Indicated**



Technical

Line Slot: Slack Tide Solid Camp Shirt State: Production Season: F25
 Merchandise Division: Sportswear Merchandise Collection: PFG Product Class: Woven Tops S/S
 Designer: karie.carter Developer: alicehan LO Developer: nguyen.dung Sourcing Manager: melissa.gallagher
 Fit Engineer: alicehan

Design:	S5MS157705	Sample LO:		Production LO:	India		
Style	Material Style	Style Description	Pattern	Base Size	Size Scale	Fit	SMU Type
FM7042	1577051	Slack Tide™ Camp Shirt	M15M1024	M	XS - XXL	Regular	N/A



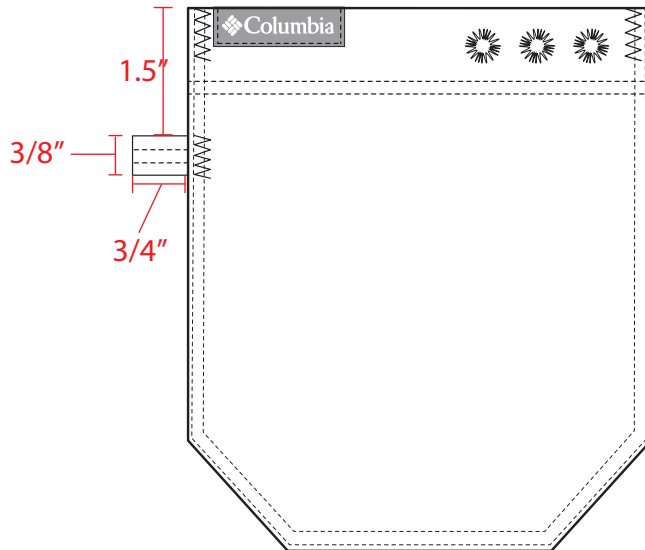
Technical

Line Slot: Slack Tide Solid Camp Shirt State: Production Season: F25
 Merchandise Division: Sportswear Merchandise Collection: PFG Product Class: Woven Tops S/S
 Designer: karie.carter Developer: alicehan LO Developer: nguyen.dung Sourcing Manager: melissa.gallagher
 Fit Engineer: alicehan

Design:	S5MS157705	Sample LO:	Production LO:	India			
Style	Material Style	Style Description	Pattern	Base Size	Size Scale	Fit	SMU Type
FM7042	1577051	Slack Tide™ Camp Shirt	M15M1024	M	XS - XXL	Regular	N/A



Last Updated: 03.12.18 AW



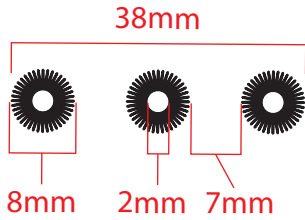
Technical

Line Slot: Slack Tide Solid Camp Shirt		State: Production	Season: F25
Merchandise Division: Sportswear	Merchandise Collection: PFG	Product Class: Woven Tops S/S	
Designer: karie.carter	Developer: alicehan	LO Developer: nguyen.dung	Sourcing Manager: melissa.gallagher
Fit Engineer: alicehan			

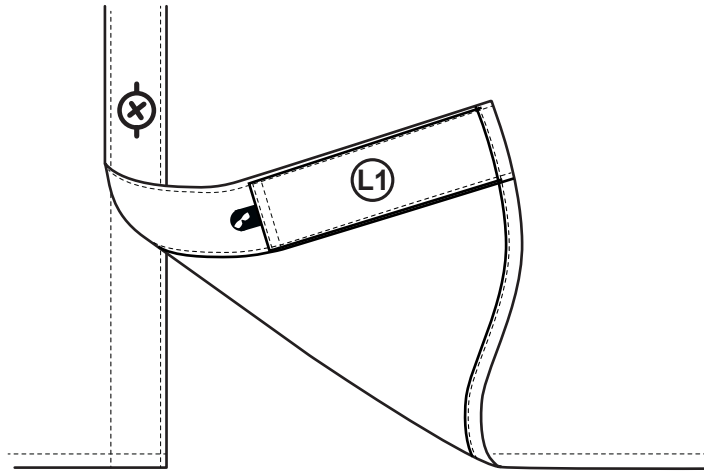
Design:	S5MS157705	Sample LO:	Production LO:	India			
Style	Material Style	Style Description	Pattern	Base Size	Size Scale	Fit	SMU Type
FM7042	1577051	Slack Tide™ Camp Shirt	M15M1024	M	XS - XXL	Regular	N/A



3 EYELETS CONSTRUCTION



SUNGLASS CLEANER PATCH CONSTRUCTION



This is confidential and proprietary information of Columbia Sportswear Company. You agree that you will not disclose this information to any third party or use it for any purpose other than on behalf of Columbia. You have no right to use Columbia's name or any of its trademarks, trade names, copyrights, patents, designs or other intellectual property except as set forth in writing by Columbia.

CSC SAM

Line Slot: Slack Tide Solid Camp Shirt State: Production Season: F25
 Merchandise Division: Sportswear Merchandise Collection: PFG Product Class: Woven Tops S/S
 Designer: karie.carter Developer: alicehan LO Developer: nguyen.dung Sourcing Manager: melissa.gallagher
 Fit Engineer: alicehan



Design: S5MS157705 Sample LO: Production LO: India
 Style Material Style Style Description Pattern Base Size Size Scale Fit SMU Type
 FM7042 1577051 Slack Tide™ Camp Shirt M15M1024 M XS - XXL Regular N/A

Woven Tops-CM Estimation Template - for S15						
Style No.:	S5MS157705		← ↓ Input Style No.			
Gender:	Men		↓ Select Feature required for the style			
SAM:	30.52	<input checked="" type="checkbox"/>	← ↓ Check the box once all features all selected			
Back to Guidance	Costing Advice	Location	Volume	Factory Code	Cost(CM)	Cost(CMP)
	Select Location & volume	Vietnam	5K -20K	HNG	\$ 2.027	\$ 2.394

Parts	Part Description	Feature	SAM
Collar & Band	Normal Point Collar	Single Needle Topstitch Collar	3.950
	Button Down Collar	Select	*
	Collar Flap	Select	*
	Bartacks	Select	*
			3.950

Parts	Part Description	Feature	SAM
Front	Placket	Self Fold Pieced Front Placket w/fusible interlining(75cm)	2.868
	Cut Line	Single Horizontal Cut Line per front w/ SN Topstitch (25cm)	1.037
	Fishing Rod Holder	Select	*
	Buttons & Buttonholes	6 Buttons and Buttonholes w/ 1 Spare Button	1.186
	Decorative Stitch	Select	*
	Labels	Fix Logo Label on Front Placket	0.402
			5.492

Parts	Part Description	Feature	SAM
Pocket	Single Patch Pocket	Pointed Edge Patch Pocket w/ Self Fold Pkt Hem, 3 Grommets	1.592
	Double Patch Pocket	Select	*
	Stripe Matching	Select	*
	Patch -on -Patch Pkt	Select	*
	Insert Pocket	Select	*
	Bartacks	2 Bartacks	0.353
	Pocket Closure	Select	*
	Labels	Insert Logo Label	0.214
Decorative Stitch	Select	*	
			2.159

Parts	Part Description	Feature	SAM
Pocket Flap	Flap Shape	Select	*

CSC SAM

Line Slot: Slack Tide Solid Camp Shirt State: Production Season: F25
 Merchandise Division: Sportswear Merchandise Collection: PFG Product Class: Woven Tops S/S
 Designer: karie.carter Developer: alicehan LO Developer: nguyen.dung Sourcing Manager: melissa.gallagher
 Fit Engineer: alicehan



Design: S5MS157705 Sample LO: Production LO: India

Style	Material Style	Style Description	Pattern	Base Size	Size Scale	Fit	SMU Type
FM7042	1577051	Slack Tide™ Camp Shirt	M15M1024	M	XS - XXL	Regular	N/A

Flap Shape -2	Select	▼	⬆️	*
Buttonhole /Velcro	Select	▼	⬆️	*
Bartacks	Select	▼	⬆️	*
Art work	Select	▼	⬆️	*
Setting Flap	Select	▼	⬆️	*
				0.000

Parts	Part Description	Feature		SAM
Back	Back- Pleats	Select	▼	⬆️ *
	Back -Yoke Join	Select	▼	⬆️ *
	Cut line	Select	▼	⬆️ *
	Back Venting	Back Top Venting construction w/ Fixed stitch on Back Top	▼	⬆️ 4.216
	Labels	Set One Heat Transfer label	▼	⬆️ 0.432
	Decorative Stitch	Select	▼	⬆️ *
	Bartacks	3 Bartacks	▼	⬆️ 0.424
				5.072

Parts	Part Description	Feature		SAM
Sleeve	Sleeve Placket	Select	▼	⬆️ *
	Buttons &Buttonholes	Select	▼	⬆️ *
	Cut Line	Select	▼	⬆️ *
	Roll Tabs	Select	▼	⬆️ *
	Labels	Select	▼	⬆️ *
	Bartacks	Select	▼	⬆️ *

Parts	Part Description	Feature		SAM
Lining	Cut Line	Select	▼	⬆️ *
	Sleeve Lining	Select	▼	⬆️ *
	Quilting	Select	▼	⬆️ *
				0.000

Parts	Part Description	Feature		SAM
Cuff	Cuff Shape	Select	▼	⬆️ *
	Button & Buttonhole	Select	▼	⬆️ *
	Bartacks	Select	▼	⬆️ *
				0.000

CSC SAM

Line Slot: Slack Tide Solid Camp Shirt State: Production Season: F25
 Merchandise Division: Sportswear Merchandise Collection: PFG Product Class: Woven Tops S/S
 Designer: karie.carter Developer: alicehan LO Developer: nguyen.dung Sourcing Manager: melissa.gallagher
 Fit Engineer: alicehan



Design: S5MS157705 Sample LO: Production LO: India

Style	Material Style	Style Description	Pattern	Base Size	Size Scale	Fit	SMU Type
FM7042	1577051	Slack Tide™ Camp Shirt	M15M1024	M	XS - XXL	Regular	N/A

			0.000

Parts	Part Description	Feature	SAM
Body Block	Shoulder Joining	Shoulder Joining(17cm)w/ DN Topstitch	0.796
	Sleeve Setting	Sleeve Setting w/ DN Topstitch Armhole(64cm)	1.738
	Sideseam	Feed stitch Sideseam w/ Short Sleeve	0.941
	Collar Setting	Normal Neck line Collar Setting(48cm)	1.054
	Cuff Setting	No Cuff Setting w/ Short Sleeve Double Needle Hem(40cm)	0.869
	Bottom	Single Stitch Forked Bottom w/ side vent	0.962
	Side Vent	Bottom Sidevents-Single Needle	2.140
	Care Label fixed	2 Labels	0.492
	Bartacks	Select	*
	Cut & Finishing SAM's	Woven Top S/S (no stripe Matching)	4.850
			13.842

This is confidential and proprietary information of Columbia Sportswear Company. You agree that you will not disclose this information to any third party or use it for any purpose other than on behalf of Columbia. You have no right to use Columbia's name or any of its trademarks, trade names, copyrights, patents, designs or other intellectual property except as set forth in writing by Columbia.

Hangtag Package Report

Apparel Style: FM7042

Season: F25

Brand: Columbia

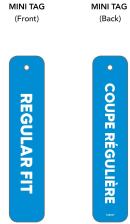
Merchandise Category: Sportswear

Merchandiser: fboulot

Line Slot: Slack Tide Solid Camp Shirt

Sort Order: 0.5 Part: 126967 - Regular Fit Swing Tag
 Instruction: Swing tag to be placed on top of cover tag on same plastic stringer.

SKU	DATE	NAME	EXPIRES DATE
OP1490984	120907	OP1490984_126967_MT_Regular Fit	10-18-23



SKU	DATE	NAME	EXPIRES DATE
Process Bar / Peices Blue	12/1/23	MT-1	
75" x 137" / 1850mm x 3480mm		Adhesive Coating Div CA, Stone, Stone Patch	

Sort Order: 1.0 Part: 111006 - PFG Omni-Shade UPF 50, Omni-Wick Hangtag
 Instruction: (FOR TOPS W/CF BUTTONS) HANG TAG TO BE PLACED ON 5" CIRCULAR SWIFT TACK AT 2ND BUTTON HOLE FROM TOP

SKU	DATE	NAME	EXPIRES DATE
OP712223	110206	OP712223_111006_CT_PFG_OmniShadeUPF50_OmniWick	09-26-22



SKU	DATE	NAME	EXPIRES DATE
Process Bar / AC	11/2/23	CT-2	
1.68" x 4.87" / 42.68mm x 123.66mm		Adhesive Coating Div CA, Stone, Stone Patch	

Sort Order: 9.0 Part: 121612 - MSRP/UPC with RFID Specs for MSRP.
 Please refer to VAS specs for any exceptions. MSRP required on all product shipping to the US.
 Instruction:

