

Part Specifications with Approved Suppliers

Line Slot: BlueVista Hill Skirt State: Production Season: S25
 Merchandise Division: Sportswear Merchandise Collection: Trail Product Class: Woven Skort/Skort
 Designer: lauren.fryan Developer: kprovenzola LO Developer: triveni.hebbbar Sourcing Manager: melissa.gallagher
 Fit Engineer: vfurcron



Design: S5WS211916 Sample LO: India Production LO: India Vendor Master: INDIA Vendor Master: INDIA
 Style: Material Style Style Description Pattern Base Size Size Scale Fit SMU Type
 AL8579 2119161 BlueVista Hill™ Skirt M25L8023 M XS - XXL Regular N/A

Number	Description	UM	Fiber Content	Fiber Content Back	Material Coating	Material Finish (Face)	Material Laminate	Trim Specific	Supplier Art No	Country of Origin	Standard Cost (FOB)	Purchase Cost (CIF)	Product on Lead Time with Greige	Product on Lead Time without Greige
Fabric														
112430	S22 MHW Ultralight Ripstop	yd	100% Polyester	unassigned	MaterialCoatingNone	Durable Water Repellent (80/10HL) CO PFOA/PFOS Free	MaterialLaminateNone							
Apex Textile Co. Ltd.		Fabric Width: 58.0 in Width Type: cuttable Primary Weight: 93.0 g/m2							TG19771-3DWER	China	2.18	0.0	45	55
020325	Smooth Fine Mesh -CJV - 2mm mesh hole size	yd	100% Polyester	unassigned	MaterialCoatingNone	MaterialFinishNone	MaterialLaminateNone							
HTT Insprite (Xiamen) Imp & Exp Co. Ltd.		Fabric Width: 60.0 in Width Type: cuttable Primary Weight: 70.0 g/m2							tba	China	0.45	0.0	35	45
Huge-Bamboo Enterprise Co., Ltd.		Fabric Width: 60.0 in Width Type: cuttable Primary Weight: 70.0 g/m2							RA155094C-5727	Vietnam	0.46	0.0	35	50
HuaFeng - Vietnam		Fabric Width: 60.0 in Width Type: cuttable Primary Weight: 70.0 g/m2							020325	Vietnam	0.46	0.0	35	50
012171	Interlining Non-Woven Fusible Light Weight with Small Dot Adhesive - China Version of 012170 CE6023	yd	50% Polyester, 50% Nylon	unassigned	unassigned	unassigned	unassigned							
Freudenberg-Hong Kong		Fabric Width: 35.0 in Width Type: cuttable Primary Weight: 33.0 g/m2							CE3023	China	0.42	0.0	14	14
MaxBond		Fabric Width: 48.0 in Width Type: cuttable Primary Weight: 33.0 g/m2							012171	Vietnam	0.49	0.0	14	14
PCC asia LLC		Fabric Width: 60.0 in Width Type: cuttable Primary Weight: 29.0 g/m2							CL2426D	China	0.55	0.0	21	21
Trim														
069048	6.5mm non stretch flat drawcord w tick 2 clr (for tipped version use 030175)	yd	100% Polyester	unassigned	unassigned	unassigned	unassigned	Size UM: mm						
Sun Hod Enterprise Co Ltd (formerly Sang Hsin)									same 030175 wo tips	Taiwan	0.06	0.053	30	30
Gong Myung Korea									069048	unassigned	0.06	0.0	30	30
Paiho Global									069048	Taiwan	0.069	0.0	30	60
Naturub Group of Companies									BBA-021439	Bangladesh	0.05	0.0	40	40
Fabrica de Tejidos El Sol S. A.									176201 L rel 67 num. 1 (32)	Guatemala	0.1039	0.0	30	45
340006	2 in Woven Elastic (Black or White) 1 clr	yd	46% Polypropylene, 32% Polyester, 22% Latex	unassigned	unassigned	unassigned	unassigned	Size UM: mm Width: 51.0						

Part Specifications with Approved Suppliers

Line Slot: BlueVista Hill Skirt State: Production Season: S25
 Merchandise Division: Sportswear Merchandise Collection: Trail Product Class: Woven Skort/Skort
 Designer: lauren.fryan Developer: kprovenzola LO Developer: triveni.hebbar Sourcing Manager: melissa.gallagher
 Fit Engineer: vfurcron



Design: S5WS211916 Sample LO: India Production LO: India Vendor Master INDIA Vendor Master INDIA
 Style Material Style Style Description Pattern Base Size Size Scale Fit SMU Type
 AL8579 2119161 BlueVista Hill™ Skirt M25L8023 M XS - XXL Regular N/A

Number	Description	UM	Fiber Content	Fiber Content Back	Material Coating	Material Finish (Face)	Material Laminate	Trim Specific	Supplier Art No	Country of Origin	Standard Cost (FOB)	Purchase Cost (CIF)	Product on Lead Time with Greige	Product on Lead Time without Greige
Sun Hod Enterprise Co Ltd (formerly Sang Hsin)									340006	Taiwan	0.19	0.138	30	30
Gong Myung Korea									340006	South Korea	0.22	0.0	30	30
Cosmos Knitting International Co. Ltd.									340006	Vietnam	0.19	0.0	30	35
Paiho Global									340006	Taiwan	0.231	0.0	30	60
Chun Wo Ho Co. Ltd									340006	China	0.6304	0.0	30	36
Elasticos Universales (Eltitex)									E-32 NAT	unassigned	0.27	0.0	0	30
Naturub Group of Companies									BTP-24287	Bangladesh	0.23	0.0	38	38
028902	54mm (C) Columbia and Bug Screenprint 1 clr	ea	unassigned	unassigned	unassigned	unassigned	unassigned	Size UM: mm						
FGV Sourced									028902	unassigned	0.0	0.0	0	0
FGV - Zuntex Apparel Ltd									028902	unassigned	0.0	0.0	0	0
FGV - Confecciones del Valle SA de CV									028902	unassigned	0.0	0.0	0	0
FGV - Song Hong (SHJ)									028902	unassigned	0.0	0.0	0	0
FGV - Kenpark Bangladesh Apparel									028902	unassigned	0.0	0.0	0	0
FGV - Shahi Exports Pvt. (SEP) Ltd.									028902	unassigned	0.0	0.0	0	0
FGV - HAEWAE APPAREL INC.(HEA)									028902	unassigned	0.0	0.0	0	0
FGV - Shinwon Guatemala (SWG)									028902	unassigned	0.0	0.0	0	0
079632	Coats Epic Tex 24	meter	unassigned	unassigned	unassigned	unassigned	unassigned	Size UM: tex						
Coats Global Thread									079632	unassigned	0.00048	0.0	0	0
008214	Coats ASTRA Spun Polyester Tex 27 40/2	meter	100% Polyester	unassigned	unassigned	unassigned	unassigned	Size UM: tex						
Coats Global Thread									8754120	unassigned	0.0003	0.0	0	0
128138	S25 MSW Hike 5/8" 2 color grosgrain Tape	yd	100% Polyester	unassigned	unassigned	unassigned	unassigned	Size UM: yd						
Sun Hod Enterprise Co Ltd (formerly Sang Hsin)									TBD	Taiwan	0.095	0.0	30	30
059199	40mm CSC Main /International ECO Size Woven Loop Label 3 clr	ea	100% Recycled Polyester	unassigned	unassigned	unassigned	unassigned	Size UM: mm						
Avery Dennison Global									059199	China	0.045	0.0	30	30
Dong Young									DY-59199	South Korea	0.052	0.0	25	25
Manohar Filaments									23/11813/5	India	0.0404	0.0	30	30

Part Specifications with Approved Suppliers

Line Slot: BlueVista Hill Skirt State: Production Season: S25
 Merchandise Division: Sportswear Merchandise Collection: Trail Product Class: Woven Skort/Skort
 Designer: lauren.fryan Developer: kprovenzola LO Developer: triveni.hebbbar Sourcing Manager: melissa.gallagher
 Fit Engineer: vfurcron



Design: S5WS211916 Sample LO: India Production LO: India Vendor Master INDIA Vendor Master INDIA
 Production LO: Sourcing LO:
 Style Material Style Style Description Pattern Base Size Size Scale Fit SMU Type
 AL8579 2119161 BlueVista Hill™ Skirt M25L8023 M XS - XXL Regular N/A

Number	Description	UM	Fiber Content	Fiber Content Back	Material Coating	Material Finish (Face)	Material Laminate	Trim Specific	Supplier Art No	Country of Origin	Standard Cost (FOB)	Purchase Cost (CIF)	Product on Lead Time with Greige	Product on Lead Time without Greige
006564	33mm Care Content ECO Booklet Fold label with fully translated country of origin WHT/BLK for most, BLK/WHT for Titanium only, GRY/BLK is for Garment DYE ONLY	ea	100% Recycled Polyester	unassigned	unassigned	unassigned	unassigned	Size UM: mm						
Dong Young									DY-006564	South Korea	0.04	0.0	15	15
Avery Dennison Global									S2088861-8	China	0.016	0.0	30	30
Bao Shen (Apparel)									YL15110003 0 PS7530A5	unassigned	0.016	0.0	7	21
Nexgen Packaging Global									006564	unassigned	0.0221	0.0	21	28
097039	Columbia Omni-Shade UPF 50 Hangtag	ea	unassigned	unassigned	unassigned	unassigned	unassigned	Size UM: cm						
Hang Sang Press Co. Ltd									n/a	unassigned	0.0273	0.0	0	0
Bao Shen (Apparel)									097039	unassigned	0.023	0.0	7	21
Finotex El Salvador									n/a	El Salvador	0.034	0.0	21	28
107450	Womens Skirt Regular Joker	ea	unassigned	unassigned	unassigned	unassigned	unassigned	Size UM: cm						
Hang Sang Press Co. Ltd									n/a	unassigned	0.036	0.0	0	0
121612	MSRP/UPC with RFID Specs for MSRP. Please refer to VAS specs for any exceptions. MSRP required on all product shipping to the US.	ea	unassigned	unassigned	unassigned	unassigned	unassigned	Size UM: mm						
Bao Shen (Apparel)									n/a	unassigned	0.049	0.0	7	0
Avery Dennison Global									n/a	unassigned	0.04875	0.0	14	0
980001	Polybag See Standard CCS 4200 for specifications	ea	unassigned	unassigned	unassigned	unassigned	unassigned	Size UM: mm						
Contractor									980001	unassigned	0.0	0.0	0	0
980010	UPC Bag Sticker Generic (MHW/Columbia) See CCS4400/ 4401 and MHW4402 for Mt Hardwear for instructions	ea	unassigned	unassigned	unassigned	unassigned	unassigned	Size UM: mm						
Hang Sang Press Co. Ltd									980010	Hong Kong	0.016	0.0	14	14
Avery Dennison Global									980010	China	0.011	0.0	30	30
FGV Sourced									980010	unassigned	0.0	0.0	0	0

Color BOM

Line Slot: BlueVista Hill Skirt	State: Production	Season: S25
Merchandise Division: Sportswear	Merchandise Collection: Trail	Product Class: Woven Skort/Skirt
Designer: lauren.fryan	Developer: kprovenzola	LO Developer: triveni.hebbar
Fit Engineer: vfurcron		Sourcing Manager: melissa.gallagher
Design: S5WS211916	Sample LO: India	Production LO: India
Style Material Style	Style Description Pattern	Base Size Size Scale
AL8579 2119161	BlueVista Hill™ Skirt M25L8023	M XS - XXL
		Fit SMU Type
		Regular N/A



Component	Details	Placement	Usage	Width	Marker Width	010-Black	348-Safari
SAP Material Code						2119161010	2119161348
SMU Accounts						N/A	N/A
Shell 1	112430 S22 MHW Ultralight Ripstop Ripstop 100% Polyester 130X114 75D/72F*75D/72F Durable Water Repellent (80/10HL) C0 PFOA/PFOS Free MaterialCoatingNone MaterialLaminateNone 93.0 g/m2 Piece Dye/Jet NA		0.72 yd	58.0	0	Black	Safari
Lining 1	020325 Smooth Fine Mesh -CJV - 2mm mesh hole size Mesh 100% Polyester 28 MaterialFinishNone MaterialCoatingNone MaterialLaminateNone 70.0 g/m2 Piece Dye/Jet NA		0.2 yd	60.0	0	Black	Safari
Interfacing 1	012171 Interlining Non-Woven Fusible Light Weight with Small Dot Adhesive - China Version of 012170 CE6023 Interlining 50% Polyester, 50% Nylon 29.0 g/m2		0.003 yd	60.0	0	White	White
Drawcord-Cording-Laces 1	069048 6.5mm non stretch flat drawcord w tick 2 clr (for tipped version use 030175)		1.48 yd	0.0	0	Black, Columbia Grey	Safari, Grill
Elastic 1	340006 2 in Woven Elastic (Black or White) 1 clr Width: 51.0		0.95 yd	0.0	0	Black	Black
Screen Print 1	028902 54mm (C) Columbia and Bug Screenprint 1 clr		1 ea	0.0	0	Columbia Grey	Grill
Thread 1	079632 Coats Epic Tex 24	Top and Bobbin	150 meter	0.0	0	DTM	DTM
Thread 2	008214 Coats ASTRA Spun Polyester Tex 27 40/2	Overlock	200 meter	0.0	0	DTM	DTM

Color BOM

Line Slot: BlueVista Hill Skirt	State: Production	Season: S25
Merchandise Division: Sportswear	Merchandise Collection: Trail	Product Class: Woven Skort/Skirt
Designer: lauren.fryan	Developer: kprovenzola	LO Developer: triveni.hebbbar
Fit Engineer: vfurcron		Sourcing Manager: melissa.gallagher
Design: S5WS211916	Sample LO: India	Production LO: India
Style Material Style	Style Description Pattern	Base Size Size Scale
AL8579 2119161	BlueVista Hill™ Skirt M25L8023	M XS - XXL
		Fit Regular
		SMU Type N/A



Component	Details	Placement	Usage	Width	Marker Width	010-Black	348-Safari
SAP Material Code						2119161010	2119161348
Webbing and Tape 1	128138 S25 MSW Hike 5/8" 2 color grosgrain Tape		0.135 yd	0.0	0	Black, Columbia Grey	Safari, Grill
Label 1	059199 40mm CSC Main /International ECO Size Woven Loop Label 3 clr		1 ea	0.0	0	White, Columbia Grey, Compass Blue	White, Columbia Grey, Compass Blue
Label 2	006564 33mm Care Content ECO Booklet Fold label with fully translated country of origin WHT/BLK for most, BLK/WHT for Titanium only, GRY/BLK is for Garment DYE ONLY		1 ea	0.0	0	White, Black	White, Black
Hangtag Package Part	097039 Columbia Omni-Shade UPF 50 Hangtag		1 ea	0.0	0	Artwork	Artwork
Hangtag Package Part	107450 Womens Skirt Regular Joker		1 ea	0.0	0	Artwork	Artwork
Hangtag Package Part	121612 MSRP/UPC with RFID Specs for MSRP. Please refer to VAS specs for any exceptions. MSRP required on all product shipping to the US.		1 ea	0.0	0	Artwork	Artwork
Packaging 1	980001 Polybag See Standard CCS 4200 for specifications		1 ea	0.0	0	Stock	Stock
Packaging 2	980010 UPC Bag Sticker Generic (MHW/Columbia) See CCS4400/ 4401 and MHW4402 for Mt Hardware for instructions		1 ea	0.0	0	Artwork	Artwork
Packaging 3	064194 Outer Carton for costing purpose only		1 ea	0.0	0	Stock	Stock

This is confidential and proprietary information of Columbia Sportswear Company. You agree that you will not disclose this information to any third party or use it for any purpose other than on behalf of Columbia. You have no right to use Columbia's name or any of its trademarks, trade names, copyrights, patents, designs or other intellectual property except as set forth in writing by Columbia.

Colorless BOM

Line Slot: BlueVista Hill Skirt		State: Production		Season: S25			
Merchandise Division: Sportswear	Merchandise Collection: Trail	Product Class: Woven Skort/Skirt					
Designer: lauren.fryan	Developer: kprovenzola	LO Developer: triveni.hebbar	Sourcing Manager: melissa.gallagher				
Fit Engineer: vfurcron							
Design: S5WS21191 6	Sample LO: India	Production LO: India					
Style	Material Style	Style Description	Pattern	Base Size	Size Scale	Fit	SMU Type
AL8579	2119161	BlueVista Hill™ Skirt	M25L8023	M	XS - XXL	Regular	N/A



Component	Details	Placement	Usage	Width	Marker Width
SAP Material Code					
Shell 1	112430 S22 MHW Ultralight Ripstop Ripstop 100% Polyester 130X114 75D/72F*75D/72F Durable Water Repellent (80/10HL) C0 PFOA/PFOS Free MaterialCoatingNone MaterialLaminateNone 93.0 g/m2 Piece Dye/Jet NA		0.72 yd	58.0	0
Lining 1	020325 Smooth Fine Mesh -CJV - 2mm mesh hole size Mesh 100% Polyester 28 MaterialFinishNone MaterialCoatingNone MaterialLaminateNone 70.0 g/m2 Piece Dye/Jet NA		0.2 yd	60.0	0
Interfacing 1	012171 Interlining Non-Woven Fusible Light Weight with Small Dot Adhesive - China Version of 012170 CE6023 Interlining 50% Polyester, 50% Nylon 29.0 g/m2		0.003 yd	60.0	0
Drawcord-Cording-Laces 1	069048 6.5mm non stretch flat drawcord w tick 2 clr (for tipped version use 030175)		1.48 yd	0.0	0
Elastic 1	340006 2 in Woven Elastic (Black or White) 1 clr Width: 51.0		0.95 yd	0.0	0
Screen Print 1	028902 54mm (C) Columbia and Bug Screenprint 1 clr		1 ea	0.0	0
Thread 1	079632 Coats Epic Tex 24	Top and Bobbin	150 meter	0.0	0
Thread 2	008214 Coats ASTRA Spun Polyester Tex 27 40/2	Overlock	200 meter	0.0	0
Webbing and Tape 1	128138 S25 MSW Hike 5/8" 2 color grosgrain Tape		0.135 yd	0.0	0
Label 1	059199 40mm CSC Main /International ECO Size Woven Loop Label 3 clr		1 ea	0.0	0
Label 2	006564 33mm Care Content ECO Booklet Fold label with fully translated country of origin WHT/BLK for most, BLK/WHT for Titanium only, GRY/BLK is for Garment DYE ONLY		1 ea	0.0	0
Hangtag Package Part	097039 Columbia Omni-Shade UPF 50 Hangtag		1 ea	0.0	0
Hangtag Package Part	107450 Womens Skirt Regular Joker		1 ea	0.0	0

Colorless BOM

Line Slot: BlueVista Hill Skirt State: Production Season: S25
 Merchandise Division: Sportswear Merchandise Collection: Trail Product Class: Woven Skort/Skirt
 Designer: lauren.fryan Developer: kprovenzola LO Developer: triveni.hebbar Sourcing Manager: melissa.gallagher
 Fit Engineer: vfurcron

Design: S5WS21191 Sample LO: India Production LO: India
 Style Material Style Style Description Pattern Base Size Size Scale Fit SMU Type
 AL8579 2119161 BlueVista Hill™ Skirt M25L8023 M XS - XXL Regular N/A



Component	Details	Placement	Usage	Width	Marker Width
SAP Material Code					
Hangtag Package Part	121612 MSRP/UPC with RFID Specs for MSRP. Please refer to VAS specs for any exceptions. MSRP required on all product shipping to the US.		1 ea	0.0	0
Packaging 1	980001 Polybag See Standard CCS 4200 for specifications		1 ea	0.0	0
Packaging 2	980010 UPC Bag Sticker Generic (MHW/Columbia) See CCS4400/ 4401 and MHW4402 for Mt Hardwear for instructions		1 ea	0.0	0
Packaging 3	064194 Outer Carton for costing purpose only		1 ea	0.0	0

This is confidential and proprietary information of Columbia Sportswear Company. You agree that you will not disclose this information to any third party or use it for any purpose other than on behalf of Columbia. You have no right to use Columbia's name or any of its trademarks, trade names, copyrights, patents, designs or other intellectual property except as set forth in writing by Columbia.

Color Specification

Line Slot: BlueVista Hill Skirt	State: Production	Season: S25
Merchandise Division: Sportswear	Merchandise Collection: Trail	Product Class: Woven Skort/Skirt
Designer: lauren.fryan	Developer: kprovenzola	LO Developer: triveni.hebbar
Fit Engineer: vfurcron		Sourcing Manager: melissa.gallagher
Design: S5WS211916	Sample LO: India	Production LO: India
Style Material Style	Style Description Pattern	Base Size Size Scale
AL8579 2119161	BlueVista Hill™ Skirt M25L8023	M XS - XXL
		Fit SMU Type
		Regular N/A



Component - Material	010-Black	348-Safari
Shell 1 - 112430	Black	Safari
Lining 1 - 020325		
Interfacing 1 - 012171	White	White
Drawcord-Cording-Laces 1 - 069048		
Webbing and Tape 1 - 128138	Black, Columbia Grey	Safari, Grill
Elastic 1 - 340006	Black	Black
Screen Print 1 - 028902	Columbia Grey	Grill
Thread 1 - 079632		
Thread 2 - 008214	DTM	DTM
Label 1 - 059199	White, Columbia Grey, Compass Blue	White, Columbia Grey, Compass Blue
Label 2 - 006564	White, Black	White, Black
Hangtag Package Part - 097039		
Hangtag Package Part - 107450		
Hangtag Package Part - 121612	Artwork	Artwork
Packaging 2 - 980010		
Packaging 1 - 980001		
Packaging 3 - 064194	Stock	Stock

This is confidential and proprietary information of Columbia Sportswear Company. You agree that you will not disclose this information to any third party or use it for any purpose other than on behalf of Columbia. You have no right to use Columbia's name or any of its trademarks, trade names, copyrights, patents, designs or other intellectual property except as set forth in writing by Columbia.

Costing BOM

Line Slot: BlueVista Hill Skirt		State: Production		Season: S25			
Merchandise Division: Sportswear		Merchandise Collection: Trail		Product Class: Woven Skort/Skirt			
Designer: lauren.fryan		Developer: kprovenzola		LO Developer: triveni.hebbar			
Fit Engineer: vfurcron		Sourcing Manager: melissa.gallagher					
Design:	S5WS211916	Sample LO:	India	Production LO:	India		
Style	Material Style	Style Description	Pattern	Base Size	Size Scale	Fit	SMU Type
AL8579	2119161	BlueVista Hill™ Skirt	M25L8023	M	XS - XXL	Regular	N/A



Colorway Number	Color Way	FOB Material	CIF Material	FOB Trim	CIF Trim	Allowance %	Total FOB	Total CIF
010	Black	1.717	0.000	0.678	0.000	0.0	2.395	0.000
348	Safari	1.717	0.000	0.678	0.000	0.0	2.395	0.000

Costing BOM

Line Slot: BlueVista Hill Skirt
 Merchandise Division: Sportswear
 Designer: lauren.fryan
 Fit Engineer: vfurcron

Merchandise Collection: Trail
 Developer: kprovenzola

State: Production
 Product Class: Woven Skort/Skirt
 LO Developer: triveni.hebbbar

Season: S25
 Sourcing Manager: melissa.gallagher



Design: S5WS211916	Sample LO: India	Production LO: India
Style Material Style: 2119161	Style Description Pattern: BlueVista Hill™ Skirt	Base Size: M
		Size Scale: XS - XXL
		Fit: Regular
		SMU Type: N/A

Component	Material	Description	Fabric Width	Supplier	Locked	Country of Origin	Managin g Liaison Office	UoM	Target Cost	FOB Unit Cost	CIF Unit Cost	Usage	Wastage %	Total FOB	Total CIF
Shell 1	112430	S22 MHW Ultralight Ripstop	58.0	Apex Textile Co. Ltd.	N	China	Taiwan- Taipei	yd	0.0	2.18	0.0	0.720	3	1.617	0.000
Lining 1	020325	Smooth Fine Mesh -CJV - 2mm mesh hole size	60.0	HuaFeng - Vietnam	Y	Vietnam	Taiwan- Taipei	yd	0.0	0.46	0.0	0.200	7	0.098	0.000
Interfacing 1	012171	Interlining Non- Woven Fusible Light Weight with Small Dot Adhesive - China Version of 012170 CE6023	60.0	PCC asia LLC	Y	China	India	yd	0.0	0.55	0.0	0.003	3	0.002	0.000
Drawcord- Cording- Laces 1	069048	6.5mm non stretch flat drawcord w tick 2 clr (for tipped version use 030175)	0.0	Paiho Global	Y	Taiwan	Taiwan- Taipei	yd	0.0	0.069	0.0	1.480	7.0	0.109	0.000

Costing BOM

Line Slot: BlueVista Hill Skirt
 Merchandise Division: Sportswear
 Designer: lauren.fryan
 Fit Engineer: vfurcron

Merchandise Collection: Trail
 Developer: kprovenzola

State: Production
 Product Class: Woven Skort/Skirt
 LO Developer: triveni.hebbar

Season: S25
 Sourcing Manager: melissa.gallagher



Design: S5WS211916	Sample LO: India	Production LO: India
Style Material Style	Style Description Pattern	Base Size Size Scale
AL8579 2119161	BlueVista Hill™ Skirt M25L8023	M XS - XXL
		Fit Regular
		SMU Type N/A

Component	Material	Description	Fabric Width	Supplier	Locked	Country of Origin	Managing Liaison Office	UoM	Target Cost	FOB Unit Cost	CIF Unit Cost	Usage	Wastage %	Total FOB	Total CIF
Elastic 1	340006	2 in Woven Elastic (Black or White) 1 clr	0.0	Paiho Global	N	Taiwan	Taiwan-Taipei	yd	0.118	0.231	0.0	0.950	7.0	0.235	0.000
Screen Print 1	028902	54mm (C) Columbia and Bug Screenprint 1 clr	0.0	FGV Sourced	N	unassigned	Portland	ea	0.0	0.0	0.0	1.000	2.0	0.000	0.000
Thread 1	079632	Coats Epic Tex 24	0.0	Coats Global Thread	N	unassigned	Portland	meter	0.0	0.00048	0.0	150.000	5.0	0.076	0.000
Thread 2	008214	Coats ASTRA Spun Polyester Tex 27 40/2	0.0	Coats Global Thread	N	unassigned	Portland	meter	0.0	0.0003	0.0	200.000	5.0	0.063	0.000
Webbing and Tape 1	128138	S25 MSW Hike 5/8" 2 color grosgrain Tape	0.0	Sun Hod Enterprise Co Ltd (formerly Sang Hsin)	N	Taiwan	Taiwan-Taipei	yd	0.0	0.095	0.0	0.135	7.0	0.014	0.000

Costing BOM

Line Slot: BlueVista Hill Skirt
 Merchandise Division: Sportswear
 Designer: lauren.fryan
 Fit Engineer: vfurcron

Merchandise Collection: Trail
 Developer: kprovenzola

State: Production
 Product Class: Woven Skort/Skirt
 LO Developer: triveni.hebbbar

Season: S25
 Sourcing Manager: melissa.gallagher



Design: S5WS211916	Sample LO: India	Production LO: India
Style Material Style: 2119161	Style Description Pattern: BlueVista Hill™ Skirt	Base Size: M
		Size Scale: XS - XXL
		Fit: Regular
		SMU Type: N/A

Component	Material	Description	Fabric Width	Supplier	Locked	Country of Origin	Managing Liaison Office	UoM	Target Cost	FOB Unit Cost	CIF Unit Cost	Usage	Wastage %	Total FOB	Total CIF
Label 1	059199	40mm CSC Main /International ECO Size Woven Loop Label 3 clr	0.0	Manohar Filaments	Y	India	India	ea	0.0	0.0404	0.0	1.000	3.0	0.042	0.000
Label 2	006564	33mm Care Content ECO Booklet Fold label with fully translated country of origin WHT/BLK for most, BLK/WHT for Titanium only, GRY/BLK is for Garment DYE ONLY	0.0	Avery Dennison Global	N	China	Portland	ea	0.0	0.016	0.0	1.000	3.0	0.016	0.000
Hangtag Package Part	097039	Columbia Omni-Shade UPF 50 Hangtag	0.0	Bao Shen (Apparel)	N	unassigned	Portland	ea	0.0	0.023	0.0	1.000	3.0	0.024	0.000

Costing BOM

Line Slot: BlueVista Hill Skirt
 Merchandise Division: Sportswear
 Designer: lauren.fryan
 Fit Engineer: vfurcron

Merchandise Collection: Trail
 Developer: kprovenzola

State: Production
 Product Class: Woven Skort/Skirt
 LO Developer: triveni.hebbar

Season: S25
 Sourcing Manager: melissa.gallagher



Design:	S5WS211916	Sample LO:	India	Production LO:	India		
Style	Material Style	Style Description	Pattern	Base Size	Size Scale	Fit	SMU Type
AL8579	2119161	BlueVista Hill™ Skirt	M25L8023	M	XS - XXL	Regular	N/A

Component	Material	Description	Fabric Width	Supplier	Locked	Country of Origin	Managing Liaison Office	UoM	Target Cost	FOB Unit Cost	CIF Unit Cost	Usage	Wastage %	Total FOB	Total CIF
Hangtag Package Part	107450	Womens Skirt Regular Joker	0.0	Hang Sang Press Co. Ltd	N	unassigned	Portland	ea	0.0	0.036	0.0	1.000	0.0	0.036	0.000
Hangtag Package Part	121612	MSRP/UPC with RFID Specs for MSRP. Please refer to VAS specs for any exceptions. MSRP required on all product shipping to the US.	0.0	Avery Dennison Global	N	unassigned	Portland	ea	0.0	0.04875	0.0	1.000	5.0	0.051	0.000
Packaging 1	980001	Polybag See Standard CCS 4200 for specifications	0.0	Contractor	N	unassigned	Hong Kong	ea	0.0	0.0	0.0	1.000	3.0	0.000	0.000

Costing BOM

Line Slot: BlueVista Hill Skirt	State: Production	Season: S25
Merchandise Division: Sportswear	Merchandise Collection: Trail	Product Class: Woven Skort/Skirt
Designer: lauren.fryan	Developer: kprovenzola	LO Developer: triveni.hebbar
Fit Engineer: vfurcron		Sourcing Manager: melissa.gallagher
Design: S5WS211916	Sample LO: India	Production LO: India
Style AL8579	Material Style 2119161	Style Description BlueVista Hill™ Skirt
	Pattern M25L8023	Base Size M
		Size Scale XS - XXL
		Fit Regular
		SMU Type N/A



Component	Material	Description	Fabric Width	Supplier	Locked	Country of Origin	Managing Liaison Office	UoM	Target Cost	FOB Unit Cost	CIF Unit Cost	Usage	Wastage %	Total FOB	Total CIF
Packaging 2	980010	UPC Bag Sticker Generic (MHW/Columbia) See CCS4400/ 4401 and MHW4402 for Mt Hardware for instructions	0.0	Avery Dennison Global	Y	China	Portland	ea	0.0	0.011	0.0	1.000	5.0	0.012	0.000
Packaging 3	064194	Outer Carton for costing purpose only	0.0	Contracto r	N	unassigne d	Hong Kong	ea	0.0	0.0	0.0	1.000	3.0	0.000	0.000

Costing BOM

Line Slot: BlueVista Hill Skirt		State: Production		Season: S25			
Merchandise Division: Sportswear		Merchandise Collection: Trail		Product Class: Woven Skort/Skirt			
Designer: lauren.fryan		Developer: kprovenzola		LO Developer: triveni.hebbar			
Fit Engineer: vfurcron				Sourcing Manager: melissa.gallagher			
Design:	S5WS211916	Sample LO:	India	Production LO:	India		
Style	Material Style	Style Description	Pattern	Base Size	Size Scale	Fit	SMU Type
AL8579	2119161	BlueVista Hill™ Skirt	M25L8023	M	XS - XXL	Regular	N/A



This is confidential and proprietary information of Columbia Sportswear Company. You agree that you will not disclose this information to any third party or use it for any purpose other than on behalf of Columbia. You have no right to use Columbia's name or any of its trademarks, trade names, copyrights, patents, designs or other intellectual property except as set forth in writing by Columbia.

Instructions

Line Slot: BlueVista Hill Skirt State: Production Season: S25

Merchandise Division: Sportswear Merchandise Collection: Trail Product Class: Woven Skort/Skirt

Designer: lauren.fryan Developer: kprovenzola LO Developer: triveni.hebbar Sourcing Manager: melissa.gallagher

Fit Engineer: vfurcron

Design: S5WS21191 Sample LO: India Production LO: India

Style Material Style Style Description Pattern Base Size Size Scale Fit SMU Type

AL8579 2119161 BlueVista Hill™ Skirt M25L8023 M XS - XXL Regular N/A



Category	Subcategory	Description	Comments
MISCELLANEOUS	SPECIAL INSTRUCTIONS	SEE COMMENTS	Please trifold when packaging - we do not want a fold crease down CF/CB
BUTTONHOLES	BUTTONHOLES FUNCTIONAL	SIZED TO ACCOMMODATE DRAWCORD	(2) at waistband drawcord exit
BARTACKS	BARTACK FUNCTIONAL	LENGTH - SIZED TO FIT	Please follow the sketch for visible bartacks.
EYELETS (SEWN)	EYELETS (SEWN)	SEE COMMENTS	(1) back pocket

This is confidential and proprietary information of Columbia Sportswear Company. You agree that you will not disclose this information to any third party or use it for any purpose other than on behalf of Columbia. You have no right to use Columbia's name or any of its trademarks, trade names, copyrights, patents, designs or other intellectual property except as set forth in writing by Columbia.

Care Report

Line Slot: BlueVista Hill Skirt		State: Production		Season: S25			
Merchandise Division: Sportswear		Merchandise Collection: Trail		Product Class: Woven Skort/Skirt			
Designer: lauren.fryan		Developer: kprovenzola		LO Developer: triveni.hebbar			
Fit Engineer: vfurcron				Sourcing Manager: melissa.gallagher			
Design:	S5WS211916	Sample LO:	India	Production LO:	India		
Style	Material Style	Style Description	Pattern	Base Size	Size Scale	Fit	SMU Type
AL8579	2119161	BlueVista Hill™ Skirt	M25L8023	M	XS - XXL	Regular	N/A



Care Code: 1104

	Color Way Number	Color Way Name
English		
French	010	Black
German	348	Safari
Portuguese		
Spanish		
Italian		
Russian		
Czech Republic		
Hebrew		
Hungarian		
Polish		
Portuguese Brazil		
Slovakian		
Slovenian		
Spanish Latin American		
Turkish		
Chinese Simplified		
Chinese Traditional		
Japanese		
Korean		
Danish		
Norwegian		
Swedish		

Care Report

Line Slot: BlueVista Hill Skirt

State: Production

Season: S25

Merchandise Division: Sportswear

Merchandise Collection: Trail

Product Class: Woven Skort/Skirt

Designer: lauren.fryan

Developer: kprovenzola

LO Developer: triveni.hebbar

Sourcing Manager: melissa.gallagher

Fit Engineer: vfurcron



Design: S5WS211916

Sample LO: India

Production LO: India

Style Material Style

Style Description Pattern

Base Size Size Scale

Fit SMU Type

AL8579 2119161

BlueVista Hill™ Skirt
M25L8023

M

XS - XXL

Regular

N/A

Dutch

Koud wassen in wasmachine, Niet bleken, In droger op laag, Meteen verwijderen, Niet strijken , Geen wasverzachter gebruiken, Niet laten stomen

French Canadian

Laver à la machine à l'eau froide, Ne pas utiliser d'agent de blanchiment, Séchage par culbutage à basse température, Retirer aussitôt sec, Ne pas repasser, Ne pas utiliser d'assouplisseur, Ne pas nettoyer à sec



Content Report

Line Slot: BlueVista Hill Skirt	State: Production	Season: S25
Merchandise Division: Sportswear	Merchandise Collection: Trail	Product Class: Woven Skort/Skirt
Designer: lauren.fryan	Developer: kprovenzola	LO Developer: triveni.hebbar
Fit Engineer: vfurcron		Sourcing Manager: melissa.gallagher
Design: S5WS211916	Sample LO: India	Production LO: India
Style Material Style	Style Description Pattern	Base Size Size Scale Fit SMU Type
AL8579 2119161	BlueVista Hill™ Skirt M25L8023	M XS - XXL Regular N/A



CONTENT CODE: ACT			Color Way Number	Color Way Name
Shell:	100% Polyester Exclusive of Trimming			
FRENCH	Extérieur:	100% Polyester Sauf les bordures	348	Safari
GERMAN	Außenhülle:	100% Polyester Ohne Besatz	010	Black
PORTUGUESE	Exterior:	100% Poliéster Sem orlas		
SPANISH	Cubierta:	100% Poliéster Exclusivo de los ribetes		
ITALIAN	Guscio esterno:	100% Poliestere Ad eccezione dei bordini		
RUSSIAN	Оболочка:	100% Полиэфир Без дополнительных деталей		
CZECH REPUBLICAN	Skořepina:	100% Polyester Bez nášivek		
HEBREW		מעטפת חיצונית: 100% פוליאסטר ללא קישוט		
HUNGARIAN	Külső:	100% Poliészter Szegélydíszén kívül		
POLISH	Powłoka:	100% Poliester Wyłączając naszywki		
PORTUGUESE BRAZIL	Exterior:	100% Poliéster Sem adornos		
SLOVAKIAN	Plášť:	100% Polyester Okrem lemovania		
SLOVENIAN	Lupina:	100% Poliester Brez obrezovanja		
SPANISH LATIN AMERICAN	Cubierta:	100% Poliéster Exclusivo de los ribetes		
TURKISH	Kabuk:	100% Polyester Süsler Hariç		
CHINESE SIMPLIFIED	外壳:	100% 聚酯 不包括装饰品		
CHINESE TRADITIONAL	外殼:	100% 聚酯 不包括裝飾品		
JAPANESE	シェル:	100% ポリエステル 装飾品を除く		
KOREAN	:	100%		
DANISH	Skal:	100% Polyester Inkluderer ikke kant		
NORWEGIAN	Skall:	100% Polyester Eksklusiv trimming		
SWEDISH	Ytterdel:	100% Polyester Utan trimming		
DUTCH	Schelp:	100% Polyester Exclusief trimmen		
FRENCH CANADIAN	Extérieur:	100% Polyester Exclut les bordures		

Pattern Piece Detail



Line Slot: BlueVista Hill Skirt		State: Production		Season: S25			
Merchandise Division: Sportswear	Merchandise Collection: Trail	Product Class: Woven Skort/Skirt					
Designer: lauren.fryan	Developer: kprovenzola	LO Developer: triveni.hebbar	Sourcing Manager: melissa.gallagher				
Fit Engineer: vfurcron							
Design:	S5WS21191 6	Sample LO:	India	Production LO:	India		
Style	Material Style	Style Description	Pattern	Base Size	Size Scale	Fit	SMU Type
AL8579	2119161	BlueVista Hill™ Skirt	M25L8023	M	XS - XXL	Regular	N/A

M25L8023 -				
Component	Quantity	Long Description	Abbreviation	Code

This is confidential and proprietary information of Columbia Sportswear Company. You agree that you will not disclose this information to any third party or use it for any purpose other than on behalf of Columbia. You have no right to use Columbia's name or any of its trademarks, trade names, copyrights, patents, designs or other intellectual property except as set forth in writing by Columbia.

Measurements

Line Slot: BlueVista Hill Skirt	State: Production	Season: S25
Merchandise Division: Sportswear	Merchandise Collection: Trail	Product Class: Woven Skort/Skirt
Designer: lauren.fryan	Developer: kprovenzola	LO Developer: triveni.hebbar
Fit Engineer: vfurcron		Sourcing Manager: melissa.gallagher
Design: S5WS211916	Sample LO: India	Production LO: India
Style Material Style	Style Description Pattern	Base Size Size Scale
AL8579 2119161	BlueVista Hill™ Skirt M25L8023	M XS - XXL
		Fit SMU Type
		Regular N/A



Sort Order		Use	Type	Placemen t	(+/-)	XS	S	M	L	XL	XXL
Grade Rule: CSC Womens Sportswear Skirts and Skorts with spandex inner short - XXS-XXL (M) - NT - Block: null											
4101.0	WAIST WIDTH AT TOP (Relaxed) - circumference	QC	Graded		0.0	26.5	28.5	31.0	34.0	37.5	41.0
4102.0	WAIST WIDTH AT TOP (Extended) - circumference	QC	Graded		0.0	34.5	36.5	39.0	42.0	45.5	49.0
4150.0	WAISTBAND HEIGHT - bottoms		Graded		0.0	1.875	1.875	1.875	1.875	1.875	1.875
4220.0	SKIRT HIP WIDTH POSITION - at CF - including waistband		Graded		0.0	6.0	6.5	7.0	7.5	8.0	8.5
4221.0	SKIRT HIP WIDTH POSITION - at side seam - including waistband		Graded		0.0	6.0	6.5	7.0	7.5	8.0	8.5
4280.0	SKIRT HIP WIDTH - circumference	QC	Graded		0.0	39.0	41.0	43.5	46.5	50.0	53.5
4300.0	SKIRT SWEEP WIDTH - circumference	QC	Graded		0.0	41.0	43.0	45.5	48.5	52.0	55.5
4320.0	SKIRT CENTER FRONT LENGTH - with waistband	QC	Graded		0.0	16.25	16.875	17.5	18.125	18.75	19.375
4350.0	SKIRT CENTER BACK LENGTH - with waistband	QC	Graded		0.0	16.75	17.375	18.0	18.625	19.25	19.875
4370.0	SKIRT OUTSEAM LENGTH - with waistband	QC	Graded		0.0	16.75	17.375	18.0	18.625	19.25	19.875
6952.0	BACK VENT LENGTH		Varies By Style		0.125	2.75	2.75	2.75	2.75	2.75	2.75
930.0	Drawcord-Cording-Laces 1		Component		0.0	46.5	48.5	51.0	54.0	57.5	61.0
1070.0	Elastic 1		Component		0.0	27.5	29.5	32.0	35.0	38.5	42.0

Measurements

Line Slot: BlueVista Hill Skirt		State: Production		Season: S25	
Merchandise Division: Sportswear	Merchandise Collection: Trail	Product Class: Woven Skort/Skirt			
Designer: lauren.fryan	Developer: kprovenzola	LO Developer: triveni.hebbar		Sourcing Manager: melissa.gallagher	
Fit Engineer: vfurcron					
Design: S5WS211916	Sample LO: India	Production LO: India			
Style Material Style	Style Description Pattern	Base Size	Size Scale	Fit	SMU Type
AL8579 2119161	BlueVista Hill™ Skirt M25L8023	M	XS - XXL	Regular	N/A



Sort Order		Use	Type	Placemen t	(+/-)	XS	S	M	L	XL	XXL
3190.0	Webbing and Tape 1		Compon ent		0.0	4.5	4.5	4.5	4.5	4.5	4.5

This is confidential and proprietary information of Columbia Sportswear Company. You agree that you will not disclose this information to any third party or use it for any purpose other than on behalf of Columbia. You have no right to use Columbia's name or any of its trademarks, trade names, copyrights, patents, designs or other intellectual property except as set forth in writing by Columbia.

Sales Sample Comments - AL8579

Line Slot: BlueVista Hill Skirt		State: Production		Season: S25	
Designer: lauren.fryan		Developer: kprovenzola		LO Developer: triveni.hebbar	
Style		Material Style		Style Description	
AL8579	2119161	BlueVista Hill™ Skirt	S5WS211916	M25L8023	M



Report #: 0000062446	Office: India	Factory Code: SEP	Factory Name: SHAHI EXPORTS PVT. LTD.
Sample Sizes: M	Estimated First Buy Date:		Factory Country of Origin: India
Comments: CC 010,348			

MEASUREMENT CHART - SIZE M

Point of Measure	Use	Type	(+/-)	Requested	LO Actual	Difference	QA Actual	Difference
WAIST WIDTH AT TOP (Relaxed) - circumference	QC	Graded	0.0	31.0				
WAIST WIDTH AT TOP (Extended) - circumference	QC	Graded	0.0	39.0				
SKIRT HIP WIDTH - circumference	QC	Graded	0.0	43.5				
SKIRT SWEEP WIDTH - circumference	QC	Graded	0.0	45.5				
SKIRT CENTER FRONT LENGTH - with waistband	QC	Graded	0.0	17.5				
SKIRT CENTER BACK LENGTH - with waistband	QC	Graded	0.0	18.0				
SKIRT OUTSEAM LENGTH - with waistband	QC	Graded	0.0	18.0				

Liaison Office Comments rravi 4/15/2024 6:13:03 AM

Fabric

No comments

Trims

No comments

Embellishment

No comments

Garment dye/Wash

Non wash

Sales Sample Comments - AL8579

Line Slot: BlueVista Hill Skirt

State: Production

Season: S25

Designer: lauren.fryan

Developer: kprovenzola

LO Developer: triveni.hebbar

Sourcing Manager: melissa.gallagher



Style	Material Style	Style Description	Design	Pattern	Base Size	Size Scale	Sample LO	Production LO
AL8579	2119161	BlueVista Hill™ Skirt	S5WS211916	M25L8023	M	XS - XXL	India	India

Report #: 0000062446

Office: India

Factory Code: SEP

Factory Name: SHAHI EXPORTS PVT. LTD.

Sample Sizes: M

Estimated First Buy Date:

Factory Country of Origin: India

Comments: CC 010,348

Measurement

No comments

Construction

Needle holes at inside waistband.

Uneven gathering at waistband.

SPI less at front pocket bag overedge stitch, need to increase the SPI.

Spec Updates

*We have used bartack at CB seam to reinforce drawcord, please update back view sketch accordingly.

*We have used ISO 301 1/4" pointed stitch on back bottom slit, please update back view sketch accordingly.

Product Developer Comments

Sales Sample Comments - AL8579

Line Slot: BlueVista Hill Skirt

State: Production

Season: S25

Designer: lauren.fryan

Developer: kprovenzola

LO Developer: triveni.hebbar

Sourcing Manager: melissa.gallagher



Style	Material Style	Style Description	Design	Pattern	Base Size	Size Scale	Sample LO	Production LO
AL8579	2119161	BlueVista Hill™ Skirt	S5WS211916	M25L8023	M	XS - XXL	India	India

Report #: 0000062446

Office: India

Factory Code: SEP

Factory Name: SHAHI EXPORTS PVT. LTD.

Sample Sizes: M

Estimated First Buy Date:

Factory Country of Origin: India

Comments: CC 010,348

This is confidential and proprietary information of Columbia Sportswear Company. You agree that you will not disclose this information to any third party or use it for any purpose other than on behalf of Columbia. You have no right to use Columbia's name or any of its trademarks, trade names, copyrights, patents, designs or other intellectual property except as set forth in writing by Columbia.

Thumbnail

Line Slot: BlueVista Hill Skirt

Merchandise Division: Sportswear

Designer: lauren.fryan

Fit Engineer: vfurcron

Merchandise Collection: Trail

Developer: kprovenzola

State: Production

Product Class: Woven Skort/Skirt

LO Developer: triveni.hebbar

Season: S25

Sourcing Manager: melissa.gallagher

Design: S5WS211916

Style Material Style

AL8579 2119161

Sample LO: India

Style Description Pattern

BlueVista Hill™ Skirt M25L8023

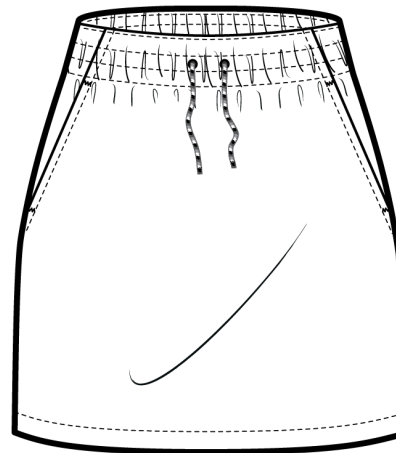
Production LO: India

Base Size Size Scale

M XS - XXL

Fit SMU Type

Regular N/A



This is confidential and proprietary information of Columbia Sportswear Company. You agree that you will not disclose this information to any third party or use it for any purpose other than on behalf of Columbia. You have no right to use Columbia's name or any of its trademarks, trade names, copyrights, patents, designs or other intellectual property except as set forth in writing by Columbia.

Technical

Line Slot: BlueVista Hill Skirt		State: Production		Season: S25			
Merchandise Division: Sportswear	Merchandise Collection: Trail	Product Class: Woven Skort/Skirt					
Designer: lauren.fryan	Developer: kprovenzola	LO Developer: triveni.hebbar	Sourcing Manager: melissa.gallagher				
Fit Engineer: vfurcron							
Design: S5WS211916	Sample LO: India	Production LO: India					
Style	Material Style	Style Description	Pattern	Base Size	Size Scale	Fit	SMU Type
AL8579	2119161	BlueVista Hill™ Skirt	M25L8023	M	XS - XXL	Regular	N/A



Last Updated: 3.20.24 KP

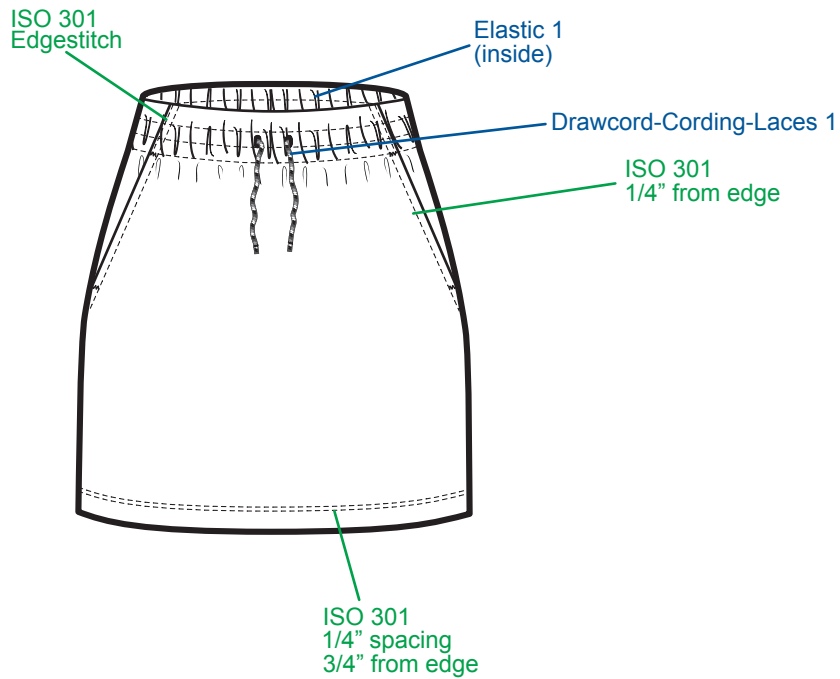
*All Shell ① unless Indicated

① All pocket bags

Interfacing 1: As needed
Labels 1-2: Follow brand placement guide

All DN topstitching is ISO 301, 1/4" spacing
Edgestitch unless otherwise noted

↔ = Stretch Direction

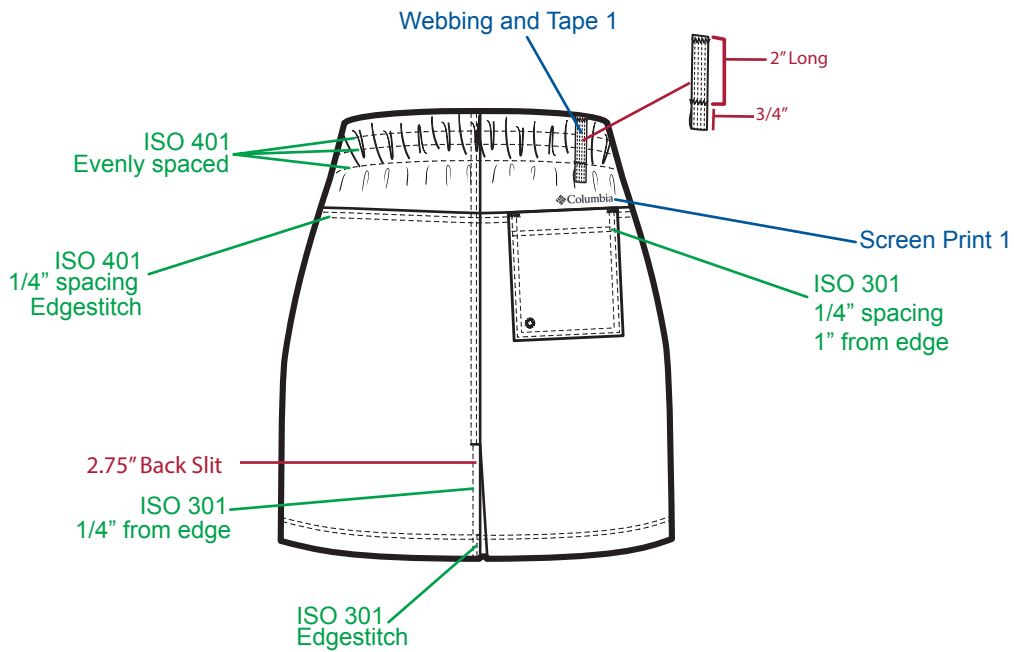


Technical

Line Slot: BlueVista Hill Skirt		State: Production	Season: S25
Merchandise Division: Sportswear	Merchandise Collection: Trail	Product Class: Woven Skort/Skirt	
Designer: lauren.fryan	Developer: kprovenzola	LO Developer: triveni.hebbar	Sourcing Manager: melissa.gallagher
Fit Engineer: vfurcron			



Design:	S5WS21191 6	Sample LO:	India	Production LO:	India		
Style	Material Style	Style Description	Pattern	Base Size	Size Scale	Fit	SMU Type
AL8579	2119161	BlueVista Hill™ Skirt	M25L8023	M	XS - XXL	Regular	N/A



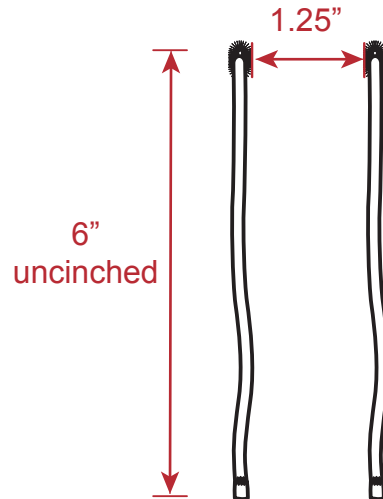
Technical

Line Slot: BlueVista Hill Skirt		State: Production		Season: S25			
Merchandise Division: Sportswear		Merchandise Collection: Trail		Product Class: Woven Skort/Skirt			
Designer: lauren.fryan		Developer: kprovenzola		LO Developer: triveni.hebbar		Sourcing Manager: melissa.gallagher	
Fit Engineer: vfurcron							
Design:	S5WS21191 6	Sample LO:	India	Production LO:	India		
Style	Material Style	Style Description	Pattern	Base Size	Size Scale	Fit	SMU Type
AL8579	2119161	BlueVista Hill™ Skirt	M25L8023	M	XS - XXL	Regular	N/A

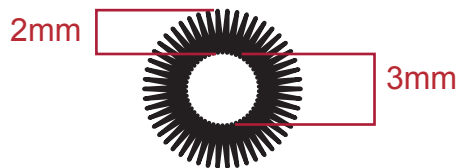


Last Updated: 12.01.23

DRAWCORD WAIST ADJUSTMENT WITH BUTTONHOLES



Eyelets for the pockets spec: EYELET DIMENSIONS (NOT TO SCALE)



This is confidential and proprietary information of Columbia Sportswear Company. You agree that you will not disclose this information to any third party or use it for any purpose other than on behalf of Columbia. You have no right to use Columbia's name or any of its trademarks, trade names, copyrights, patents, designs or other intellectual property except as set forth in writing by Columbia.

Hangtag Package Report

Apparel Style: AL8579

Season: S25

Brand: Columbia

Merchandise Category: Sportswear

Merchandiser: sfitzpatrick

Line Slot: BlueVista Hill Skirt

Sort Order: 1.0 Part: 097039 - Columbia Omni-Shade UPF 50 Hangtag
 Instruction: (FOR BOTTOMS W/O BELT LOOPS) Hangtags should be hung with 1" (or 3" if appropriate) straight plastic stringer to left side seam thru waist join seam. Do not damage garment.

SKU	LINE	NAME	DTM
OP984987	097039	OP984987_097039_TC_Columbia_OmniShade_UPF 50	09-26-22

TECH CARD (Front)



TECH CARD (Back)



SKU	LINE	NAME	DTM
OP984987	097039	OP984987_097039_TC_Columbia_OmniShade_UPF 50	09-26-22

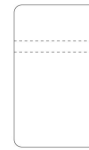
Sort Order: 2.0 Part: 107450 - Womens Skirt Regular Joker
 Instruction: JOKER (Please place on right back waistband clear of hanger clip)

SKU	LINE	NAME	DTM
OP627935	107450	OP627935_107450_JK_W_Skirt Regular	01-16-20

Front



Back (Intentionally left blank)



SKU	LINE	NAME	DTM
OP627935	107450	OP627935_107450_JK_W_Skirt Regular	01-16-20

Sort Order: 9.0 Part: 121612 - MSRP/UPC with RFID Specs for MSRP.
 Please refer to VAS specs for any exceptions. MSRP required on all product shipping to the US.
 Instruction:

