

**Related Styles**

Line Slot: Weston Pass FS Sherpa Lined Flannel      State: Production      Season: F24  
 Merchandise Division: Sportswear      Merchandise Collection: Exclusive      Product Class: Woven Tops L/S  
 Designer: jason.kissner      Developer: jamie.provencio      LO Developer: kgokul      Sourcing Manager: james.burnett  
 Fit Engineer: kdahlen



Design:	F4MS211099	Sample LO:	India	Production LO:	India		
Style	Material Style	Style Description	Pattern	Base Size	Size Scale	Fit	SMU Type
XO5158	2110992	Weston Pass™ FS Sherpa Lined Flannel	M24M7222	M	XXS - XXL	Active	Style Add, Tag On

Style	Material Style	Style Description	Design	Pattern	Base Size	Size Scale	Sample LO	Production LO
XM5158	2110991	Weston Pass™ FS Sherpa Lined Flannel	F4MS211099	M24M7169	M	XXS - XXL	India	India

This is confidential and proprietary information of Columbia Sportswear Company. You agree that you will not disclose this information to any third party or use it for any purpose other than on behalf of Columbia. You have no right to use Columbia's name or any of its trademarks, trade names, copyrights, patents, designs or other intellectual property except as set forth in writing by Columbia.









**Color BOM**

Line Slot: Weston Pass FS Sherpa Lined Flannel      State: Production      Season: F24  
 Merchandise Division: Sportswear      Merchandise Collection: Exclusive      Product Class: Woven Tops L/S  
 Designer: jason.kissner      Developer: jamie.provencio      LO Developer: kgokul      Sourcing Manager: james.burnett  
 Fit Engineer: kdahlen



Design: F4MS211099      Sample LO: India      Production LO: India  
 Style: Material Style      Style Description: Pattern      Base Size: Size Scale      Fit: SMU Type  
 XO5158      2110992      Weston Pass™ FS M24M7222      M      XXS - XXL      Active      Style Add, Tag On

Component	Details	Placement	Usage	Width	Marker Width	023-City Grey Woodsman Tartan	257-Delta Woodsman Tartan	397-Stone Green Woodsman Tartan	849-Warp Red Woodsman Tartan
<b>SAP Material Code</b>						2110992023 2110991023	2110992257 2110991257	2110992397 2110991397	2110991849 2110992849
<b>SMU Accounts</b>						Retail Outlet Store, Retail Outlet Stores	Retail Outlet Store, Retail Outlet Stores	Retail Outlet Store, Retail Outlet Stores	Retail Outlet Store, Retail Outlet Stores
Shell 1	127801 F24 M SW SRT Woven YD on Base 098591 AP0011917 Flannel 97% Cotton, 3% Elastane 74 X 54 21 X 20 SPX (70D) Wicking, Brushed (Tech back), Brushed (Tech face) MaterialCoatingNone MaterialLaminateNone 165.0 g/m2 Yarn Dye NA	Woodsman Tartan	2.32 yd	53.0	0	City Grey	Delta	Stone Green	Warp Red
Lining 1	102972 F20 SW High pile polyester fleece Fleece 100% Polyester 16 Brushed (Tech Back), Brushed (Tech Face) MaterialCoatingNone MaterialLaminateNone 285.0 g/m2 Piece Dye/Jet NA		0.9 yd	58.0	0	City Grey	Delta	Stone Green	Warp Red
Lining 2	004476 FOR POCKETING AND YOUTH STYLES ONLY Chamois Touch Tricot Tricot 100% Polyester 28 Anti-pill (face), Brushed (Tech Face) 80.0 g/m2 Piece Dye/Jet NA		0.73 yd	60.0	0	City Grey	Delta	Stone Green	Warp Red

### Color BOM

Line Slot: Weston Pass FS Sherpa Lined Flannel		State: Production		Season: F24			
Merchandise Division: Sportswear	Merchandise Collection: Exclusive	Product Class: Woven Tops L/S					
Designer: jason.kissner	Developer: jamie.provencio	LO Developer: kkokul		Sourcing Manager: james.burnett			
Fit Engineer: kdahlen							
Design:	F4MS211099	Sample LO:	India	Production LO:	India		
Style	Material Style	Style Description	Pattern	Base Size	Size Scale	Fit	SMU Type
XO5158	2110992	Weston Pass™ FS Sherpa Lined Flannel	M24M7222	M	XXS - XXL	Active	Style Add, Tag On



Component	Details	Placement	Usage	Width	Marker Width	023-City Grey Woodsman Tartan	257-Delta Woodsman Tartan	397-Stone Green Woodsman Tartan	849-Warp Red Woodsman Tartan
<b>SAP Material Code</b>						<b>2110992023</b>	<b>2110992257</b>	<b>2110992397</b>	<b>2110991849</b>
						<b>2110991023</b>	<b>2110991257</b>	<b>2110991397</b>	<b>2110992849</b>
Interfacing 1	011952 Interlining Non-Woven Fusible Light Weight for Garment Wash Interlining 100% Polyester 0.0 g/m2		0.42 yd	60.0	0	White	White	White	White
Insulation 1	106366 CSM3 Recycled Microtemp 40g w/one side scrim Non Woven 85% Recycled Polyester, 15% Polyester 56.0 g/m2		0.52 yd	60.0	0	White	White	White	White
Label Logo 1	077256 35mm Gem Columbia Flat Woven Label with starch		1 ea	0.0	0	Grill, Columbia Grey	Black, White	Black, White	Black, White
Snaps 1	069830 24L DEBOSSSED COLUMBIA METAL FINISH SLIGHT DOME SPRING SNAP		9 set	0.0	0	Antique Silver Finish	Black Nickel Finish	Black Nickel Finish	Black Nickel Finish
Snaps 2	097390 20L DEBOSSSED COLUMBIA METAL FINISH SLIGHT DOME SPRING SNAP For Adjustment Stud Post use 001533		4 set	0.0	0	Antique Silver Finish	Black Nickel Finish	Black Nickel Finish	Black Nickel Finish
Studs 1	480008 Standard Metal Spring type Stud/Post adjustment (like 016366) 1 clr finish (No matte color) . Outside Diameter: 12.0		2 ea	0.0	0				
Thread 1	008214 Coats ASTRA Spun Polyester Tex 27 40/2		400 meter	0.0	0	City Grey	Delta	Stone Green	Warp Red
Thread 2	061708 Coats Astra Tex 40 spun poly for sewing lightweight woven and knits		180 meter	0.0	0	City Grey	Delta	Stone Green	Warp Red
Thread 3	008213 Coats ASTRA Tex 80 spun poly		120 meter	0.0	0	City Grey	Delta	Stone Green	Warp Red

### Color BOM

Line Slot: Weston Pass FS Sherpa Lined Flannel      State: Production      Season: F24  
 Merchandise Division: Sportswear      Merchandise Collection: Exclusive      Product Class: Woven Tops L/S  
 Designer: jason.kissner      Developer: jamie.provencio      LO Developer: kgokul      Sourcing Manager: james.burnett  
 Fit Engineer: kdahlen



Design: F4MS211099      Sample LO: India      Production LO: India  
 Style: Material Style      Style Description: Pattern      Base Size: M      Size Scale: XXS - XXL      Fit: Active      SMU Type: Style Add, Tag On  
 XO5158      2110992      Weston Pass™ FS Sherpa Lined Flannel

Component	Details	Placement	Usage	Width	Marker Width	023-City Grey Woodsman Tartan	257-Delta Woodsman Tartan	397-Stone Green Woodsman Tartan	849-Warp Red Woodsman Tartan
<b>SAP Material Code</b>						<b>2110992023</b> <b>2110991023</b>	<b>2110992257</b> <b>2110991257</b>	<b>2110992397</b> <b>2110991397</b>	<b>2110991849</b> <b>2110992849</b>
Label 1	059199 40mm CSC Main /International ECO Size Woven Loop Label 3 clr		1 ea	0.0	0	White, Columbia Grey, Compass Blue	White, Columbia Grey, Compass Blue	White, Columbia Grey, Compass Blue	White, Columbia Grey, Compass Blue
Label 2	006564 33mm Care Content ECO Booklet Fold label with fully translated country of origin WHT/BLK for most, BLK/WHT for Titanium only, GRY/BLK is for Garment DYE ONLY		1 ea	0.0	0	White, Black	White, Black	White, Black	White, Black
Hangtag Package Part	097305 Columbia No Tech Hangtag		1 ea	0.0	0	Artwork	Artwork	Artwork	Artwork
Hangtag Package Part	123130 UPC/Pricing with RFID Sticker for Outlet		1 ea	0.0	0	Artwork	Artwork	Artwork	Artwork
Hangtag Package Part	126966 Active Fit Swing Tag		1 ea	0.0	0	Artwork	Artwork	Artwork	Artwork
Packaging 1	980001 Polybag See Standard CCS 4200 for specifications		1 ea	0.0	0	Stock	Stock	Stock	Stock
Packaging 2	980010 UPC Bag Sticker Generic (MHW/Columbia) See CCS4400/ 4401 and MHW4402 for Mt Hardware for instructions		1 ea	0.0	0	Artwork	Artwork	Artwork	Artwork
Packaging 3	064194 Outer Carton for costing purpose only		1 ea	0.0	0	Stock	Stock	Stock	Stock

This is confidential and proprietary information of Columbia Sportswear Company. You agree that you will not disclose this information to any third party or use it for any purpose other than on behalf of Columbia. You have no right to use Columbia's name or any of its trademarks, trade names, copyrights, patents, designs or other intellectual property except as set forth in writing by Columbia.



## Colorless BOM

Line Slot: Weston Pass FS Sherpa Lined Flannel      State: Production      Season: F24  
 Merchandise Division: Sportswear      Merchandise Collection: Exclusive      Product Class: Woven Tops L/S  
 Designer: jason.kissner      Developer: jamie.provencio      LO Developer: kgokul      Sourcing Manager: james.burnett

Fit Engineer: kdahlen

Design: F4MS211099      Sample LO: India      Production LO: India

Style	Material Style	Style Description	Pattern	Base Size	Size Scale	Fit	SMU Type
XO5158	2110992	Weston Pass™ FS Sherpa Lined Flannel	M24M7222	M	XXS - XXL	Active	Style Add, Tag On



Component	Details	Placement	Usage	Width	Marker Width
<b>SAP Material Code</b>					
Shell 1	127801 F24 M SW SRT Woven YD on Base 098591 AP0011917 Flannel 97% Cotton, 3% Elastane 74 X 54 21 X 20 SPX (70D) Wicking, Brushed (Tech back), Brushed (Tech face) MaterialCoatingNone MaterialLaminateNone 165.0 g/m2 Yarn Dye NA	Woodsman Tartan	2.32 yd	53.0	0
Lining 1	102972 F20 SW High pile polyester fleece Fleece 100% Polyester 16 Brushed (Tech Back), Brushed (Tech Face) MaterialCoatingNone MaterialLaminateNone 285.0 g/m2 Piece Dye/Jet NA		0.9 yd	58.0	0
Lining 2	004476 FOR POCKETING AND YOUTH STYLES ONLY Chamois Touch Tricot Tricot 100% Polyester 28 Anti-pill (face), Brushed (Tech Face) 80.0 g/m2 Piece Dye/Jet NA		0.73 yd	60.0	0
Interfacing 1	011952 Interlining Non-Woven Fusible Light Weight for Garment Wash Interlining 100% Polyester 0.0 g/m2		0.42 yd	60.0	0
Insulation 1	106366 CSM3 Recycled Microtemp 40g w/one side scrim Non Woven 85% Recycled Polyester, 15% Polyester 56.0 g/m2		0.52 yd	60.0	0
Label Logo 1	077256 35mm Gem Columbia Flat Woven Label with starch		1 ea	0.0	0
Snaps 1	069830 24L DEBOSSSED COLUMBIA METAL FINISH SLIGHT DOME SPRING SNAP		9 set	0.0	0
Snaps 2	097390 20L DEBOSSSED COLUMBIA METAL FINISH SLIGHT DOME SPRING SNAP For Adjustment Stud Post use 001533		4 set	0.0	0
Studs 1	480008 Standard Metal Spring type Stud/Post adjustment (like 016366) 1 clr finish (No matte color). Outside Diameter: 12.0		2 ea	0.0	0
Thread 1	008214 Coats ASTRA Spun Polyester Tex 27 40/2		400 meter	0.0	0

### Colorless BOM

Line Slot: Weston Pass FS Sherpa Lined Flannel      State: Production      Season: F24  
 Merchandise Division: Sportswear      Merchandise Collection: Exclusive      Product Class: Woven Tops L/S  
 Designer: jason.kissner      Developer: jamie.provencio      LO Developer: kgokul      Sourcing Manager: james.burnett

Fit Engineer: kdahlen

Design: F4MS211099      Sample LO: India      Production LO: India

Style	Material Style	Style Description	Pattern	Base Size	Size Scale	Fit	SMU Type
XO5158	2110992	Weston Pass™ FS Sherpa Lined Flannel	M24M7222	M	XXS - XXL	Active	Style Add, Tag On



Component	Details	Placement	Usage	Width	Marker Width
<b>SAP Material Code</b>					
Thread 2	061708 Coats Astra Tex 40 spun poly for sewing lightweight woven and knits		180 meter	0.0	0
Thread 3	008213 Coats ASTRA Tex 80 spun poly		120 meter	0.0	0
Label 1	059199 40mm CSC Main /International ECO Size Woven Loop Label 3 clr		1 ea	0.0	0
Label 2	006564 33mm Care Content ECO Booklet Fold label with fully translated country of origin WHT/BLK for most, BLK/WHT for Titanium only, GRY/BLK is for Garment DYE ONLY		1 ea	0.0	0
Hangtag Package Part	097305 Columbia No Tech Hangtag		1 ea	0.0	0
Hangtag Package Part	123130 UPC/Pricing with RFID Sticker for Outlet		1 ea	0.0	0
Hangtag Package Part	126966 Active Fit Swing Tag		1 ea	0.0	0
Packaging 1	980001 Polybag See Standard CCS 4200 for specifications		1 ea	0.0	0
Packaging 2	980010 UPC Bag Sticker Generic (MHW/Columbia) See CCS4400/ 4401 and MHW4402 for Mt Hardwear for instructions		1 ea	0.0	0
Packaging 3	064194 Outer Carton for costing purpose only		1 ea	0.0	0

This is confidential and proprietary information of Columbia Sportswear Company. You agree that you will not disclose this information to any third party or use it for any purpose other than on behalf of Columbia. You have no right to use Columbia's name or any of its trademarks, trade names, copyrights, patents, designs or other intellectual property except as set forth in writing by Columbia.

## Color Specification

Line Slot: Weston Pass FS Sherpa Lined Flannel      State: Production      Season: F24  
 Merchandise Division: Sportswear      Merchandise Collection: Exclusive      Product Class: Woven Tops L/S  
 Designer: jason.kissner      Developer: jamie.provencio      LO Developer: kgokul      Sourcing Manager: james.burnett  
 Fit Engineer: kdahlen



Design: F4MS211099      Sample LO: India      Production LO: India  
 Style Material Style      Style Description Pattern      Base Size      Size Scale      Fit      SMU Type  
 XO5158      2110992      Weston Pass™ FS M24M7222      M      XXS - XXL      Active      Style Add, Tag On

Component - Material	023-City Grey Woodsman Tartan	257-Delta Woodsman Tartan	397-Stone Green Woodsman Tartan	849-Warp Red Woodsman Tartan
Shell 1 - 127801	City Grey	Delta	Stone Green	Warp Red
Lining 1 - 102972				
Lining 2 - 004476				
Thread 1 - 008214				
Thread 2 - 061708				
Thread 3 - 008213	White	White	White	White
Interfacing 1 - 011952				
Insulation 1 - 106366				
Label Logo 1 - 077256				
Snaps 1 - 069830				
Snaps 2 - 097390	Antique Silver Finish	Black Nickel Finish	Black Nickel Finish	Black Nickel Finish
Studs 1 - 480008				
Label 1 - 059199	White, Columbia Grey, Compass Blue	White, Columbia Grey, Compass Blue	White, Columbia Grey, Compass Blue	White, Columbia Grey, Compass Blue
Label 2 - 006564	White, Black	White, Black	White, Black	White, Black
Hangtag Package Part - 097305	Artwork	Artwork	Artwork	Artwork
Hangtag Package Part - 123130				
Hangtag Package Part - 126966				
Packaging 2 - 980010	Stock	Stock	Stock	Stock
Packaging 1 - 980001				
Packaging 3 - 064194				

This is confidential and proprietary information of Columbia Sportswear Company. You agree that you will not disclose this information to any third party or use it for any purpose other than on behalf of Columbia. You have no right to use Columbia's name or any of its trademarks, trade names, copyrights, patents, designs or other intellectual property except as set forth in writing by Columbia.

### Costing BOM

Line Slot: Weston Pass FS Sherpa Lined Flannel		State: Production		Season: F24			
Merchandise Division: Sportswear		Merchandise Collection: Exclusive		Product Class: Woven Tops L/S			
Designer: jason.kissner		Developer: jamie.provencio		LO Developer: kgokul			
Fit Engineer: kdahlen		Sourcing Manager: james.burnett					
Design:	F4MS211099	Sample LO:	India	Production LO:	India		
Style	Material Style	Style Description	Pattern	Base Size	Size Scale	Fit	SMU Type
XO5158	2110992	Weston Pass™ FS Sherpa Lined Flannel	M24M7222	M	XXS - XXL	Active	Style Add, Tag On



Colorway Number	Color Way	FOB Material	CIF Material	FOB Trim	CIF Trim	Allowance %	Total FOB	Total CIF
023	City Grey Woodsman Tartan	8.875	0.000	1.494	0.000	0.0	10.369	0.000
257	Delta Woodsman Tartan	8.875	0.000	1.494	0.000	0.0	10.369	0.000
397	Stone Green Woodsman Tartan	8.875	0.000	1.494	0.000	0.0	10.369	0.000
849	Warp Red Woodsman Tartan	8.875	0.000	1.494	0.000	0.0	10.369	0.000

### Costing BOM

Line Slot: Weston Pass FS Sherpa Lined Flannel      State: Production      Season: F24  
 Merchandise Division: Sportswear      Merchandise Collection: Exclusive      Product Class: Woven Tops L/S  
 Designer: jason.kissner      Developer: jamie.provencio      LO Developer: kgokul      Sourcing Manager: james.burnett  
 Fit Engineer: kdahlen



Design: F4MS211099      Sample LO: India      Production LO: India  
 Style: Material Style      Style Description: Pattern      Base Size: M      Size Scale: XXS - XXL      Fit: Active      SMU Type: Style Add, Tag On  
 XO5158      2110992      Weston Pass™ FS Sherpa Lined Flannel

Component	Material	Description	Fabric Width	Supplier	Locked	Country of Origin	Managing Liaison Office	UoM	Target Cost	FOB Unit Cost	CIF Unit Cost	Usage	Wastage %	Total FOB	Total CIF
Shell 1	127801	F24 M SW SRT Woven YD on Base 098591 AP0011917	53.0	Vardhman Mills	N	India	India	yd	2.5	2.19	0.0	2.320	3	5.233	0.000
Lining 1	102972	F20 SW High pile polyester fleece	58.0	Insung Korea Inc.	N	China	Taiwan-Taipei	yd	0.0	2.67	0.0	0.900	5	2.523	0.000
Lining 2	004476	FOR POCKETING AND YOUTH STYLES ONLY Chamois Touch Tricot	60.0	Haren Textiles Pvt. Ltd.	Y	India	India	yd	0.0	0.68	0.0	0.730	5	0.521	0.000
Interfacing 1	011952	Interlining Non- Woven Fusible Light Weight for Garment Wash	60.0	PCC asia LLC	Y	China	India	yd	0.0	0.38	0.0	0.420	3	0.164	0.000
Insulation 1	106366	CSM3 Recycled Microtemp 40g w/one side scrim	60.0	Shinih-Taiwan	N	unassigned	Taiwan-Taipei	yd	0.0	0.81	0.0	0.520	3	0.434	0.000

### Costing BOM

Line Slot: Weston Pass FS Sherpa Lined Flannel      State: Production      Season: F24  
 Merchandise Division: Sportswear      Merchandise Collection: Exclusive      Product Class: Woven Tops L/S  
 Designer: jason.kissner      Developer: jamie.provencio      LO Developer: kgokul      Sourcing Manager: james.burnett  
 Fit Engineer: kdahlen

Design:      F4MS211099      Sample LO:      India      Production LO:      India  
 Style      Material Style      Style Description      Pattern      Base Size      Size Scale      Fit      SMU Type  
 XO5158      2110992      Weston Pass™ FS M24M7222      M      XXS - XXL      Active      Style Add, Tag On



Component	Material	Description	Fabric Width	Supplier	Locked	Country of Origin	Managin g Liaison Office	UoM	Target Cost	FOB Unit Cost	CIF Unit Cost	Usage	Wastage %	Total FOB	Total CIF
Label Logo 1	077256	35mm Gem Columbia Flat Woven Label with starch	0.0	Avery Dennison Global	N	unassigned	Portland	ea	0.0	0.02619	0.0	1.000	3.0	0.027	0.000
Snaps 1	069830	24L DEBOSSSED COLUMBIA METAL FINISH SLIGHT DOME SPRING SNAP	0.0	Unitex International Button Accessories Ltd	N	China	Portland	set	0.0	0.07076	0.0	9.000	3.0	0.656	0.000
Snaps 2	097390	20L DEBOSSSED COLUMBIA METAL FINISH SLIGHT DOME SPRING SNAP For Adjustment Stud Post use 001533	0.0	Unitex International Button Accessories Ltd	N	China	Portland	set	0.0	0.06466	0.0	4.000	3.0	0.266	0.000

### Costing BOM

Line Slot: Weston Pass FS Sherpa Lined Flannel				State: Production		Season: F24	
Merchandise Division: Sportswear		Merchandise Collection: Exclusive		Product Class: Woven Tops L/S			
Designer: jason.kissner		Developer: jamie.provencio		LO Developer: kgokul		Sourcing Manager: james.burnett	
Fit Engineer: kdahlen							
Design:	F4MS211099	Sample LO:	India	Production LO:	India		
Style	Material Style	Style Description	Pattern	Base Size	Size Scale	Fit	SMU Type
XO5158	2110992	Weston Pass™ FS Sherpa Lined Flannel	M24M7222	M	XXS - XXL	Active	Style Add, Tag On



Component	Material	Description	Fabric Width	Supplier	Locked	Country of Origin	Managing Liaison Office	UoM	Target Cost	FOB Unit Cost	CIF Unit Cost	Usage	Wastage %	Total FOB	Total CIF
Studs 1	480008	Standard Metal Spring type Stud/Post adjustment (like 016366) 1 clr finish (No matte color) .	0.0	Unitex International Button Accessories Ltd	N	China	Portland	ea	0.0	0.02494	0.0	2.000	3.0	0.051	0.000
Thread 1	008214	Coats ASTRA Spun Polyester Tex 27 40/2	0.0	Coats Global Thread	N	unassigned	Portland	meter	0.0	0.0003	0.0	400.000	5.0	0.126	0.000
Thread 2	061708	Coats Astra Tex 40 spun poly for sewing lightweight woven and knits	0.0	Coats Global Thread	N	unassigned	Portland	meter	0.0	0.00043	0.0	180.000	5.0	0.081	0.000
Thread 3	008213	Coats ASTRA Tex 80 spun poly	0.0	Coats Global Thread	N	unassigned	Portland	meter	0.0	0.00087	0.0	120.000	5.0	0.110	0.000

### Costing BOM

Line Slot: Weston Pass FS Sherpa Lined Flannel      State: Production      Season: F24  
 Merchandise Division: Sportswear      Merchandise Collection: Exclusive      Product Class: Woven Tops L/S  
 Designer: jason.kissner      Developer: jamie.provencio      LO Developer: kkokul      Sourcing Manager: james.burnett  
 Fit Engineer: kdahlen

Design:      F4MS211099      Sample LO:      India      Production LO:      India  
 Style      Material Style      Style Description      Pattern      Base Size      Size Scale      Fit      SMU Type  
 XO5158      2110992      Weston Pass™ FS M24M7222      M      XXS - XXL      Active      Style Add, Tag On



Component	Material	Description	Fabric Width	Supplier	Locked	Country of Origin	Managing Liaison Office	UoM	Target Cost	FOB Unit Cost	CIF Unit Cost	Usage	Wastage %	Total FOB	Total CIF
Label 1	059199	40mm CSC Main /International ECO Size Woven Loop Label 3 clr	0.0	Avery Dennison Global	N	China	Portland	ea	0.0	0.05219	0.0	1.000	3.0	0.054	0.000
Label 2	006564	33mm Care Content ECO Booklet Fold label with fully translated country of origin WHT/BLK for most, BLK/WHT for Titanium only, GRY/BLK is for Garment DYE ONLY	0.0	Avery Dennison Global	N	China	Portland	ea	0.0	0.01905	0.0	1.000	3.0	0.020	0.000
Hangtag Package Part	097305	Columbia No Tech Hangtag	0.0	Bao Shen (Apparel)	N	Vietnam	Portland	ea	0.0	0.014	0.0	1.000	3.0	0.014	0.000
Hangtag Package Part	123130	UPC/Pricing with RFID Sticker for Outlet	0.0	Avery Dennison Global	Y	unassigned	Portland	ea	0.0	0.04875	0.0	1.000	5.0	0.051	0.000



### Costing BOM

Line Slot: Weston Pass FS Sherpa Lined Flannel      State: Production      Season: F24  
 Merchandise Division: Sportswear      Merchandise Collection: Exclusive      Product Class: Woven Tops L/S  
 Designer: jason.kissner      Developer: jamie.provencio      LO Developer: kgokul      Sourcing Manager: james.burnett  
 Fit Engineer: kdahlen

Design:      F4MS211099      Sample LO:      India      Production LO:      India  
 Style      Material Style      Style Description      Pattern      Base Size      Size Scale      Fit      SMU Type  
 XO5158      2110992      Weston Pass™ FS M24M7222      M      XXS - XXL      Active      Style Add, Tag On



Component	Material	Description	Fabric Width	Supplier	Locked	Country of Origin	Managing Liaison Office	UoM	Target Cost	FOB Unit Cost	CIF Unit Cost	Usage	Wastage %	Total FOB	Total CIF
Hangtag Package Part	126966	Active Fit Swing Tag	0.0	Hang Sang Press Co. Ltd	N	unassigned	Portland	ea	0.0	0.023	0.0	1.000	3.0	0.024	0.000
Packaging 1	980001	Polybag See Standard CCS 4200 for specifications	0.0	Contractor	N	unassigned	Hong Kong	ea	0.0	0.0	0.0	1.000	3.0	0.000	0.000
Packaging 2	980010	UPC Bag Sticker Generic (MHW/Columbia) See CCS4400/4401 and MHW4402 for Mt Hardware for instructions	0.0	Avery Dennison Global	Y	China	Portland	ea	0.0	0.01323	0.0	1.000	5.0	0.014	0.000
Packaging 3	064194	Outer Carton for costing purpose only	0.0	Contractor	N	unassigned	Hong Kong	ea	0.0	0.0	0.0	1.000	3.0	0.000	0.000

### Costing BOM

Line Slot: Weston Pass FS Sherpa Lined Flannel		State: Production		Season: F24			
Merchandise Division: Sportswear		Merchandise Collection: Exclusive		Product Class: Woven Tops L/S			
Designer: jason.kissner		Developer: jamie.provencio		LO Developer: kgokul			
Fit Engineer: kdahlen		Sourcing Manager: james.burnett					
Design:	F4MS211099	Sample LO:	India	Production LO:	India		
Style	Material Style	Style Description	Pattern	Base Size	Size Scale	Fit	SMU Type
XO5158	2110992	Weston Pass™ FS Sherpa Lined Flannel	M24M7222	M	XXS - XXL	Active	Style Add, Tag On



This is confidential and proprietary information of Columbia Sportswear Company. You agree that you will not disclose this information to any third party or use it for any purpose other than on behalf of Columbia. You have no right to use Columbia's name or any of its trademarks, trade names, copyrights, patents, designs or other intellectual property except as set forth in writing by Columbia.

### Instructions

Line Slot: Weston Pass FS Sherpa Lined Flannel      State: Production      Season: F24  
 Merchandise Division: Sportswear      Merchandise Collection: Exclusive      Product Class: Woven Tops L/S  
 Designer: jason.kissner      Developer: jamie.provencio      LO Developer: kgokul      Sourcing Manager: james.burnett

Fit Engineer: kdahlen

Design: F4MS211099      Sample LO: India      Production LO: India

Style	Material Style	Style Description	Pattern	Base Size	Size Scale	Fit	SMU Type
XO5158	2110992	Weston Pass™ FS Sherpa Lined Flannel	M24M7222	M	XXS - XXL	Active	Style Add, Tag On



Category	Subcategory	Description	Comments
FABRIC DESCRIPTION	CUTTING / MARKING	TWO WAY CUT - CUT ONE UP AND ONE DOWN:  All pieces in each garment must be cut in same direction.  DO NOT MIX BUNDLES	127801 Woodsman Tartan
		MATCH	#127801 Woodsman Tartan  HORIZONTAL PAIRING: Center front, Sleeves, Cuffs  SYMMETRICAL PAIRING: Collar  NO MATCH: Center front placket, Side seams
		BIAS CUT POCKETS, FLAPS AND YOKE.	
MISCELLANEOUS	MISC OTHER	SEE COMMENTS	INTERLINING: double layer inside Collar & Collar stand
BARTACKS	BARTACK FUNCTIONAL	LENGTH - SIZED TO FIT	4/2 Chest pocket opening  See sketch for all visible bartacks

This is confidential and proprietary information of Columbia Sportswear Company. You agree that you will not disclose this information to any third party or use it for any purpose other than on behalf of Columbia. You have no right to use Columbia's name or any of its trademarks, trade names, copyrights, patents, designs or other intellectual property except as set forth in writing by Columbia.

## Care Report

Line Slot: Weston Pass FS Sherpa Lined Flannel		State: Production		Season: F24			
Merchandise Division: Sportswear		Merchandise Collection: Exclusive		Product Class: Woven Tops L/S			
Designer: jason.kissner		Developer: jamie.provencio		LO Developer: kgokul			
Fit Engineer: kdahlen				Sourcing Manager: james.burnett			
Design:	F4MS211099	Sample LO:	India	Production LO:	India		
Style	Material Style	Style Description	Pattern	Base Size	Size Scale	Fit	SMU Type
XO5158	2110992	Weston Pass™ FS Sherpa Lined Flannel	M24M7222	M	XXS - XXL	Active	Style Add, Tag On



Care Code: 1074		Color Way Number	Color Way Name
<b>English</b>	Machine Wash Cold Gentle, With Like Colors, Do Not Bleach, Tumble Dry Low, Remove Promptly, Iron Low, Do Not Use Fabric Softener, If Present Do Not Iron Decal, Do Not Dryclean	023	City Grey Woodsman Tartan
<b>French</b>	Lavage machine à froid, Cycle délicat, Avec des couleurs similaires, Ne pas utiliser d'eau de javel, Séchage machine, basse température, Sortir immédiatement de la machine, Repasser à basse température, Ne pas utiliser d'assouplissant, Le cas échéant, ne pas repasser la décalcomanie, Nettoyage à sec interdit	257	Delta Woodsman Tartan
<b>German</b>	Schonwaschgang mit kaltem Wasser, Mit gleichen Farben, Keine Bleichmittel verwenden, Trocknen im Wäschetrockner bei niedriger Temperatur, Sofort aus dem Trockner nehmen, Bügeln mit niedriger Temperatur, Keine Weichspüler verwenden, Falls vorhanden, Dekorbild nicht bügeln, Nicht chemisch reinigen	397	Stone Green Woodsman Tartan
<b>Portuguese</b>	Lavar à maquina com água fria, ciclo para roupas delicadas, Com cores similares, Não alvejar, Secar à máquina em temperatura baixa, Remover prontamente, Passar a ferro em baixa temperatura, Não usar amaciante, Se presente, não passar o ferro sobre o decalque, Não utilizar limpeza a seco	849	Warp Red Woodsman Tartan
<b>Spanish</b>	Lavar a maquina con agua fría, en ciclo delicado, Lavar con colores similares, No usar lejía, Usar secadora a temperatura baja, Retirar inmediatamente, Planchar a temperatura baja, No usar suavizante de telas, En su caso, no planche la pegatina, No lavar en seco		
<b>Italian</b>	Lavare in lavatrice in acqua fredda, ciclo delicato, Con colori simili, Non candeggiare, Asciugare a tamburo a bassa temperatura, Rimuovere tempestivamente, Stirare con ferro a temperatura bassa, Non utilizzare ammorbidente, Se presente, non stirare la decalcomania, Non lavare a secco		
<b>Russian</b>	Щадящая машинная стирка в холодной воде, Стирать с изделиями подобного цвета, Не отбеливать, Сушить при низкой температуре, Сразу убрать из сушилки, Гладить при низкой температуре, Не использовать кондиционер для тканей, Если есть, не гладить наклейки и роспись на текстиле, Химчистка запрещена		
<b>Czech Republican</b>	Praní v pračce při nízké teplotě, jemný cyklus, S podobnými barvami, Nebělit, Sušení v sušičce, nízká teplota, Ihned odepnout, Žehlení při nízké teplotě, Nepoužívat aviváž, Nežehlit obtisky, jsou-li přítomny, Nečistit chemicky		
<b>Hebrew</b>	כביסה במכונה במים קרים, כביסה עדינה, עם צבעים דומים, לא להלבין, לייבש במייבש כביסה בחום נמוך, להסיר מיד, להגף בחום נמוך, לא להשתמש במררך כביסה, אם ישנה, לא להגף את מדבקת הדקאל, לא לנקות בניקוי יבש		
<b>Hungarian</b>	Géppel mossa, hideg vízzel, kímélő programmal, Hasonló színűekkel, Ne használjon fehérítőt, Szárítógépben alacsony hőfokon szárítsa, Mosás után azonnal vegye ki a gépből, Alacsony hőfokon vasalja, Ne használjon öblítőszer, Ha van az anyagon matrica, azt ne vasalja, Ne vegytisztítsa		
<b>Polish</b>	Prac w temperaturze nie przekraczającej 30°C, cykl delikatny, Prac z podobnymi kolorami, Nie chlorować, Można suszyć bębnowo, niska temperatura, Natychmiast usunąć, Prasować w temperaturze do 100°C, Nie używać zmiękczacza do tkanin, Nie prasować ozdób, jeśli są obecne, Nie czyścić chemicznie		
<b>Portuguese Brazil</b>	Lavar à maquina com água fria, ciclo para roupas delicadas, Com cores similares, Não alvejar, Secar em tambor rotativo em temperatura baixa, Remover prontamente, Passar a ferro em baixa temperatura, Não usar amaciante, Se presente, não passar o ferro sobre o decalque, Não utilizar limpeza a seco		
<b>Slovakian</b>	Perte v pračke v studenej vode, šetriaci program, Spolu len podobné farby, Neodfarbujte, Sušte v bubnovej sušičke pri nízkych otáčkach, Okamžite odstráňte, Žehlíte žehličkou s nízkou teplotou, Nepoužívajte avivážne prípravky, Ak má štítok, nežehlíte ho, Nečistíte chemicky		
<b>Slovenian</b>	Nežno mrzlo strojno pranje, Z podobnimi barvami, Ne belite, Nizko strojno sušenje, Odstraniti takoj, Nizko likanje, Ne uporabljati mehčalca, Če obstaja, ne likati nalepk, Ne suho čistiti		
<b>Spanish Latin American</b>	Lavar a maquina con agua fría, en ciclo delicado, Lavar con colores similares, No usar blanqueador, Usar secadora a temperatura baja, Retirar inmediatamente, Planchar a temperatura baja, No usar suavizante de telas, En su caso, no planche el diseño impreso, No lavar en seco		
<b>Turkish</b>	Makina da Yikanır, Soğuk, Narin Program, Aynı Renklerle Yıkayın, Ağartıcı Kullanmayın, Tambur Kurutma, Düşük, Hemen Çıkarın, Düşük Isıda Ütüleyin, Çamaşır Yumuşatıcısı Kullanmayın, Varsa Çıkartmayı Ütülemeyin, Kuru Temizleme Yapmayın		

## Care Report

Line Slot: Weston Pass FS Sherpa Lined Flannel	State: Production	Season: F24
Merchandise Division: Sportswear	Merchandise Collection: Exclusive	Product Class: Woven Tops L/S
Designer: jason.kissner	Developer: jamie.provencio	LO Developer: kgokul
Fit Engineer: kdahlen		Sourcing Manager: james.burnett



Design: F4MS211099	Sample LO: India	Production LO: India					
Style XO5158	Material Style 2110992	Style Description Weston Pass™ FS Sherpa Lined Flannel	Pattern M24M7222	Base Size M	Size Scale XXS - XXL	Fit Active	SMU Type Style Add, Tag On

<b>Chinese Simplified</b>	冷水慢循环机洗, 可与相近色同洗, 请勿漂白, 低温滚筒烘干, 及时拆除, 低温熨烫, 请勿使用织物柔软剂, 如有, 请勿熨烫贴花, 请勿干洗
<b>Chinese Traditional</b>	冷水慢迴圈機洗, 可與相近色同洗, 請勿漂白, 低溫滾筒烘乾, 及時拆除, 低溫熨燙, 請勿使用織物柔軟劑, 如有, 請勿熨燙貼花, 請勿乾洗
<b>Japanese</b>	洗濯機水洗い(デリケートコース), 同系色と一緒に洗濯してください, 漂白剤使用不可, 乾燥機使用可(低温), すぐに外してください, アイロン可(低温), 柔軟剤の使用不可, 転写シールへのアイロン使用不可(ある場合), ドライクリーニング不可
<b>Korean</b>	가, , 가, , 가, , 가, ,
<b>Danish</b>	Kold maskinvask, skåneprogram, Sammen med lignende farver, Må ikke afbleges, Tør i tørretumbler, lav, Fjern med det samme, Stryges ved lav temperatur, Brug ikke skyllemiddel, Tryk må ikke stryges, Må ikke renses kemisk
<b>Norwegian</b>	Maskinvask kald, forsiktig, Med like farger, Må ikke blekes, Tørketrommel, lav, Fjernes umiddelbart, Strykes lav temp., Ikke bruk tøyemykner, Ikke bruk strykejern på klistremerke, Skal ikke renses
<b>Swedish</b>	Maskintvättas kallt mjuk cykel, Med liknande färger, Får inte blekas, Torktumlas på låg nivå, Ta bort omgående, Stryks på lägsta nivå, Sköljmedel får inte användas, Dekal får inte strykas om befintlig, Kemtvättas inte
<b>Dutch</b>	Koud wassen in wasmachine op zacht, Met overeenkomende kleuren, Niet bleken, In droger op laag, Meteen verwijderen, Op laag strijken, Geen wasverzachter gebruiken, Indien aanwezig sticker niet strijken, Niet laten stomen
<b>French Canadian</b>	Laver à la machine à l'eau froide, cycle délicat, avec des couleurs similaires, Ne pas utiliser d'agent de blanchiment, Séchage par culbutage à basse température, Retirer aussitôt sec, Repasser à basse température, Ne pas utiliser d'assouplisseur, Ne pas repasser de décalcomanie, Ne pas nettoyer à sec



## Content Report

Line Slot: Weston Pass FS Sherpa Lined Flannel      State: Production      Season: F24  
 Merchandise Division: Sportswear      Merchandise Collection: Exclusive      Product Class: Woven Tops L/S  
 Designer: jason.kissner      Developer: jamie.provencio      LO Developer: kgokul      Sourcing Manager: james.burnett  
 Fit Engineer: kdahlen



Design: F4MS211099      Sample LO: India      Production LO: India  
 Style: Material Style      Style Description: Pattern      Base Size: M      Size Scale: XXS - XXL      Fit: Active      SMU Type: Style Add, Tag On  
 XO5158      2110992      Weston Pass™ FS Sherpa Lined Flannel

CONTENT CODE: QDV		Color Way Number	Color Way Name
Shell: 97% Cotton, 3% Elastane			
Lining: 100% Polyester Exclusive of Trimming			
FRENCH	Extérieur: 97% Coton, 3% Élasthanne Doublure: 100% Polyester Sauf les bordures	257	Delta Woodsman Tartan
GERMAN	Außenhülle: 97% Baumwolle, 3% Elastan Futter: 100% Polyester Ohne Besatz	023	City Grey Woodsman Tartan
PORTUGUESE	Exterior: 97% Algodão, 3% Elastano Revestimento: 100% Poliéster Sem orlas	849	Warp Red Woodsman Tartan
SPANISH	Cubierta: 97% Algodón, 3% Elastano Revestimiento: 100% Poliéster Exclusivo de los ribetes	397	Stone Green Woodsman Tartan
ITALIAN	Guscio esterno: 97% Cotone, 3% Elastan Fodera: 100% Poliestere Ad eccezione dei bordini		
RUSSIAN	Оболочка: 97% Хлопок, 3% Эластан Подклад: 100% Полиэфир Без дополнительных деталей		
CZECH REPUBLICAN	Skořepina: 97% Bavlna, 3% Elastan Podšívka: 100% Polyester Bez nášivek		
HEBREW	מעטפת חיצונית: 97% כותנה, 3% אלסטן בטנה: 100% פוליאסטר ללא קישוט		
HUNGARIAN	Külső: 97% Pamut, 3% Elasztán Bélés: 100% Poliészter Szegélydíszen kívül		
POLISH	Powłoka: 97% Bawełna, 3% Elastan Podszewka: 100% Poliester Wyłączając naszywki		
PORTUGUESE BRAZIL	Exterior: 97% Algodão, 3% Elastano Forro: 100% Poliéster Sem adornos		
SLOVAKIAN	Plášť: 97% Bavlna, 3% Elastan Podšívka: 100% Polyester Okrem lemovania		
SLOVENIAN	Lupina: 97% Bombaž, 3% Elastan Podloga: 100% Poliester Brez obrezovanja		
SPANISH LATIN AMERICAN	Cubierta: 97% Algodón, 3% Elastano Revestimiento: 100% Poliéster Exclusivo de los ribetes		
TURKISH	Kabuk: 97% Pamuk, 3% Elastan Astar: 100% Polyester Süsler Hariç		

## Content Report

Line Slot: Weston Pass FS Sherpa Lined Flannel		State: Production		Season: F24			
Merchandise Division: Sportswear		Merchandise Collection: Exclusive		Product Class: Woven Tops L/S			
Designer: jason.kissner		Developer: jamie.provencio		LO Developer: kgokul			
Fit Engineer: kdahlen				Sourcing Manager: james.burnett			
Design:	F4MS211099	Sample LO:	India	Production LO:	India		
Style	Material Style	Style Description	Pattern	Base Size	Size Scale	Fit	SMU Type
XO5158	2110992	Weston Pass™ FS Sherpa Lined Flannel	M24M7222	M	XXS - XXL	Active	Style Add, Tag On



<b>CHINESE SIMPLIFIED</b>	<b>外壳:</b> <b>衬里:</b>	<b>97% 棉, 3% 弹性</b> <b>100% 聚酯 不包括装饰品</b>
<b>CHINESE TRADITIONAL</b>	<b>外殼:</b> <b>襯裡:</b>	<b>97% 棉, 3% 彈性</b> <b>100% 聚酯 不包括裝飾品</b>
<b>JAPANESE</b>	<b>シエル:</b> <b>裏地:</b>	<b>97% 綿, 3% エラスティン</b> <b>100% ポリエステル 装飾品を除く</b>
<b>KOREAN</b>	<b>:</b> <b>:</b>	<b>97% , 3%</b> <b>100%</b>
<b>DANISH</b>	<b>Skal:</b> <b>Foring:</b>	<b>97% Bomuld, 3% Elastan</b> <b>100% Polyester Inkluderer ikke kant</b>
<b>NORWEGIAN</b>	<b>Skall:</b> <b>Foring:</b>	<b>97% Bomull, 3% Elastan</b> <b>100% Polyester Eksklusiv trimming</b>
<b>SWEDISH</b>	<b>Ytterdel:</b> <b>Foder:</b>	<b>97% Bomull, 3% Elastan</b> <b>100% Polyester Utan trimming</b>
<b>DUTCH</b>	<b>Schelp:</b> <b>Bekleding:</b>	<b>97% Katoen, 3% Elastaan</b> <b>100% Polyester Exclusief trimmen</b>
<b>FRENCH CANADIAN</b>	<b>Extérieur:</b> <b>Doublure:</b>	<b>97% Coton, 3% Élasthane</b> <b>100% Polyester Exclut les bordures</b>

### Pattern Piece Detail

Line Slot: Weston Pass FS Sherpa Lined Flannel      State: Production      Season: F24  
 Merchandise Division: Sportswear      Merchandise Collection: Exclusive      Product Class: Woven Tops L/S  
 Designer: jason.kissner      Developer: jamie.provencio      LO Developer: kgokul      Sourcing Manager: james.burnett  
 Fit Engineer: kdahlen

Design:      F4MS211099      Sample LO:      India      Production LO:      India  
 Style      Material Style      Style Description      Pattern      Base Size      Size Scale      Fit      SMU Type  
 XO5158      2110992      Weston Pass™ FS Sherpa Lined Flannel      M24M7222      M      XXS - XXL      Active      Style Add, Tag On



#### M24M7222 - weston pass sherpa lined flannel - active

Component	Quantity	Long Description	Abbreviation	Code
-----------	----------	------------------	--------------	------

This is confidential and proprietary information of Columbia Sportswear Company. You agree that you will not disclose this information to any third party or use it for any purpose other than on behalf of Columbia. You have no right to use Columbia's name or any of its trademarks, trade names, copyrights, patents, designs or other intellectual property except as set forth in writing by Columbia.



### Measurements

Line Slot: Weston Pass FS Sherpa Lined Flannel		State: Production		Season: F24			
Merchandise Division: Sportswear		Merchandise Collection: Exclusive		Product Class: Woven Tops L/S			
Designer: jason.kissner		Developer: jamie.provencio		LO Developer: kgokul			
Fit Engineer: kdahlen		Sourcing Manager: james.burnett					
Design:	F4MS211099	Sample LO:	India	Production LO:	India		
Style	Material Style	Style Description	Pattern	Base Size	Size Scale	Fit	SMU Type
XO5158	2110992	Weston Pass™ FS Sherpa Lined Flannel	M24M7222	M	XXS - XXL	Active	Style Add, Tag On



Sort Order		Use	Type	Placeme nt	(+/-)	XXS	XS	S	M	L	XL	XXL
Grade Rule: CSC Mens Woven Tops - XXS-XXL (M) - NT - Block: null												
1101.0	CHEST WIDTH - circumference - 1 inch down from armhole seam	QC	Graded		0.0	38.5	40.5	43.5	<b>46.5</b>	49.5	53.5	57.5
1301.0	WAIST WIDTH POSITION - from CB neck seam		Graded		0.0	16.75	17.0	17.25	<b>17.5</b>	17.75	18.0	18.25
1400.0	WAIST WIDTH - circumference	QC	Graded		0.0	37.0	39.0	42.0	<b>45.0</b>	48.0	52.0	56.0
1610.0	SWEEP WIDTH - circumference	QC	Graded		0.0	37.0	39.0	42.0	<b>45.0</b>	48.0	52.0	56.0
2002.0	BACK BODY LENGTH - CB neck to edge of hem	QC	Graded		0.0	27.5	28.0	28.5	<b>29.0</b>	29.5	30.0	30.5
2203.0	SHOULDER WIDTH - Natural Shoulder - seam to seam	QC	Graded		0.0	16.5	17.25	18.25	<b>19.25</b>	20.25	21.5	22.75
2402.0	BACK YOKE HEIGHT - from CB neck seam		Graded		0.0	3.625	3.75	3.875	<b>4.0</b>	4.125	4.25	4.375
2602.0	SLEEVE LENGTH - Long Sleeve - CB neck to hem edge	QC	Graded		0.0	33.875	34.5	35.25	<b>36.0</b>	36.75	37.625	38.5
2722.0	SLEEVE WIDTH - circumference - 1 inch down from armhole seam	QC	Graded		0.0	17.5	18.0	18.75	<b>19.5</b>	20.25	21.25	22.25
2822.0	ELBOW WIDTH - circumference - at mid point of under sleeve seam	QC	Graded		0.0	13.125	13.5	14.0	<b>14.5</b>	15.0	15.625	16.25
3000.0	SLEEVE OPENING - long sleeve - circumference	QC	Graded		0.0	8.75	9.0	9.25	<b>9.5</b>	9.75	10.0	10.25
3200.0	CUFF HEIGHT	QC	Graded		0.0	2.25	2.25	2.25	<b>2.25</b>	2.25	2.25	2.25
3360.0	SLEEVE PLACKET LENGTH		Graded		0.0	7.0	7.0	7.0	<b>7.0</b>	7.0	7.0	7.0
3361.0	SLEEVE PLACKET WIDTH		Graded		0.0	1.0	1.0	1.0	<b>1.0</b>	1.0	1.0	1.0

### Measurements

Line Slot: Weston Pass FS Sherpa Lined Flannel      State: Production      Season: F24  
 Merchandise Division: Sportswear      Merchandise Collection: Exclusive      Product Class: Woven Tops L/S  
 Designer: jason.kissner      Developer: jamie.provencio      LO Developer: kgokul      Sourcing Manager: james.burnett  
 Fit Engineer: kdahlen



Design: F4MS211099      Sample LO: India      Production LO: India  
 Style Material Style      Style Description Pattern      Base Size      Size Scale      Fit      SMU Type  
 XO5158      2110992      Weston Pass™ FS M24M7222      M      XXS - XXL      Active      Style Add, Tag On

Sort Order		Use	Type	Placeme nt	(+/-)	XXS	XS	S	<b>M</b>	L	XL	XXL
3460.0	NECK CIRCUMFERENCE - at center of collar stand - center of button to center of buttonhole	QC	Graded		0.0	15.75	16.25	17.25	<b>18.25</b>	19.25	20.25	21.25
3591.0	CENTER FRONT PLACKET WIDTH		Graded		0.0	1.5	1.5	1.5	<b>1.5</b>	1.5	1.5	1.5
3600.0	COLLAR LENGTH - at top	QC	Graded		0.0	16.5	17.0	18.0	<b>19.0</b>	20.0	21.0	22.0
3650.0	COLLAR HEIGHT - at CB	QC	Graded		0.0	2.125	2.125	2.125	<b>2.125</b>	2.125	2.125	2.125
3653.0	COLLAR STAND HEIGHT - at CB		Graded		0.0	1.375	1.375	1.375	<b>1.375</b>	1.375	1.375	1.375
3680.0	COLLAR POINT LENGTH		Graded		0.0	2.5	2.5	2.5	<b>2.5</b>	2.5	2.5	2.5
6501.0	CHEST POCKET WIDTH		Varies By Style		0.125	4.5	4.5	4.75	<b>4.75</b>	4.75	5.0	5.0
6503.0	CHEST POCKET HEIGHT - including flap		Varies By Style		0.125	5.75	5.75	6.0	<b>6.0</b>	6.0	6.25	6.25
6620.0	LOWER FRONT POCKET OPENING		Varies By Style		0.125	7.25	7.25	7.5	<b>7.5</b>	7.5	7.75	7.75
6950.0	SIDE SEAM VENT LENGTH		Varies By Style		0.125	2.0	2.0	2.0	<b>2.0</b>	2.0	2.0	2.0

This is confidential and proprietary information of Columbia Sportswear Company. You agree that you will not disclose this information to any third party or use it for any purpose other than on behalf of Columbia. You have no right to use Columbia's name or any of its trademarks, trade names, copyrights, patents, designs or other intellectual property except as set forth in writing by Columbia.

### Thumbnail

Line Slot: Weston Pass FS Sherpa Lined Flannel

State: Production

Season: F24

Merchandise Division: Sportswear

Merchandise Collection: Exclusive

Product Class: Woven Tops L/S

Designer: jason.kissner

Developer: jamie.provencio

LO Developer: kgokul

Sourcing Manager: james.burnett

Fit Engineer: kdahlen

Design: F4MS211099

Sample LO: India

Production LO: India

Style Material Style

Style Description Pattern

Base Size Size Scale

Fit

SMU Type

XO5158

2110992

Weston Pass™ FS M24M7222  
Sherpa Lined  
Flannel

M

XXS - XXL

Active

Style Add, Tag On



This is confidential and proprietary information of Columbia Sportswear Company. You agree that you will not disclose this information to any third party or use it for any purpose other than on behalf of Columbia. You have no right to use Columbia's name or any of its trademarks, trade names, copyrights, patents, designs or other intellectual property except as set forth in writing by Columbia.

## Technical

Line Slot: Weston Pass FS Sherpa Lined Flannel		State: Production	Season: F24
Merchandise Division: Sportswear	Merchandise Collection: Exclusive	Product Class: Woven Tops L/S	
Designer: jason.kissner	Developer: jamie.provencio	LO Developer: kgokul	Sourcing Manager: james.burnett
Fit Engineer: kdahlen			

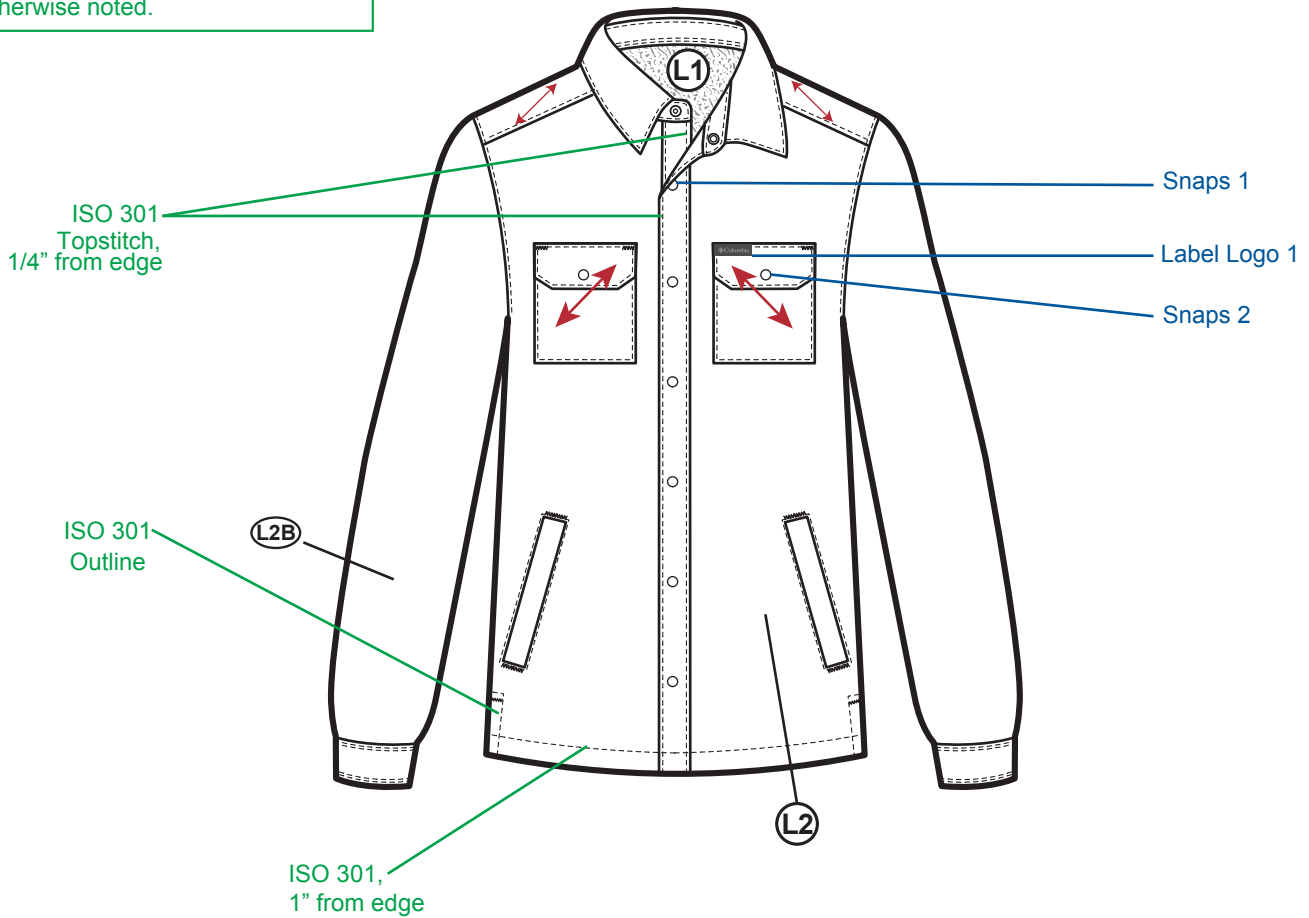


Design:	F4MS211099	Sample LO:	India	Production LO:	India		
Style	Material Style	Style Description	Pattern	Base Size	Size Scale	Fit	SMU Type
XO5158	2110992	Weston Pass™ FS Sherpa Lined Flannel	M24M7222	M	XXS - XXL	Active	Style Add, Tag On

**Last Updated:** 12.6.23 JP  
\*All Shell ① unless Indicated

Interfacing 1: As needed  
 Insulation 1: Sleeves, scrim toward body  
 Thread 1: Overlock  
 Thread 2: Bobbin  
 Thread 3: All topstitching  
 Labels 1-2: Follow brand manual

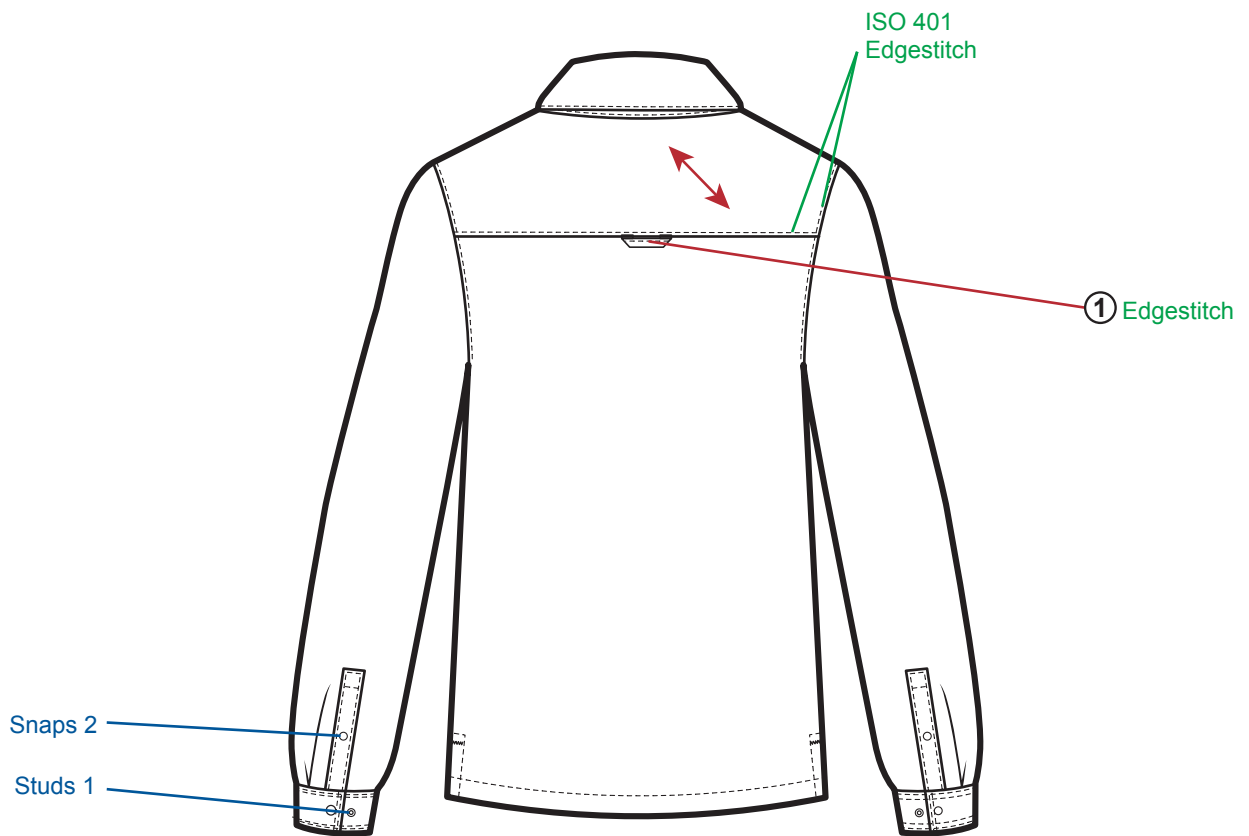
All 2-N topstitching is ISO 301, 1/4" spacing, Edgestitch unless otherwise noted.  
 All SN topstitching is ISO 301, Edgestitch unless otherwise noted.



## Technical

Line Slot: Weston Pass FS Sherpa Lined Flannel      State: Production      Season: F24  
 Merchandise Division: Sportswear      Merchandise Collection: Exclusive      Product Class: Woven Tops L/S  
 Designer: jason.kissner      Developer: jamie.provencio      LO Developer: kgokul      Sourcing Manager: james.burnett  
 Fit Engineer: kdahlen

Design:	F4MS211099	Sample LO:	India	Production LO:	India		
Style	Material Style	Style Description	Pattern	Base Size	Size Scale	Fit	SMU Type
XO5158	2110992	Weston Pass™ FS Sherpa Lined Flannel	M24M7222	M	XXS - XXL	Active	Style Add, Tag On



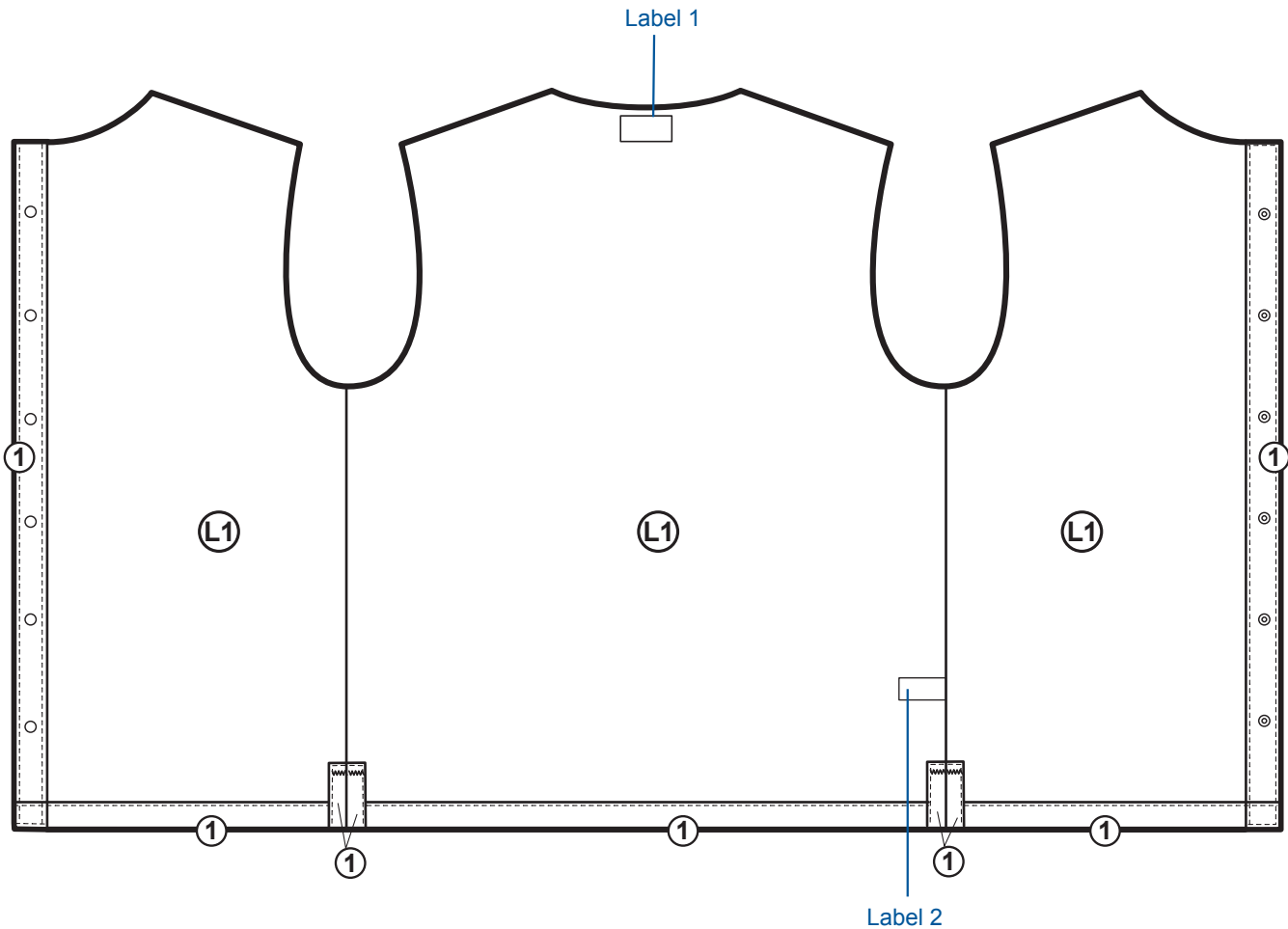
## Technical

Line Slot: Weston Pass FS Sherpa Lined Flannel	State: Production	Season: F24
Merchandise Division: Sportswear	Merchandise Collection: Exclusive	Product Class: Woven Tops L/S
Designer: jason.kissner	Developer: jamie.provencio	LO Developer: kgokul
		Sourcing Manager: james.burnett
Fit Engineer: kdahlen		



Design:	F4MS211099	Sample LO:	India	Production LO:	India		
Style	Material Style	Style Description	Pattern	Base Size	Size Scale	Fit	SMU Type
XO5158	2110992	Weston Pass™ FS Sherpa Lined Flannel	M24M7222	M	XXS - XXL	Active	Style Add, Tag On

Last Updated: 11.13.23 JP



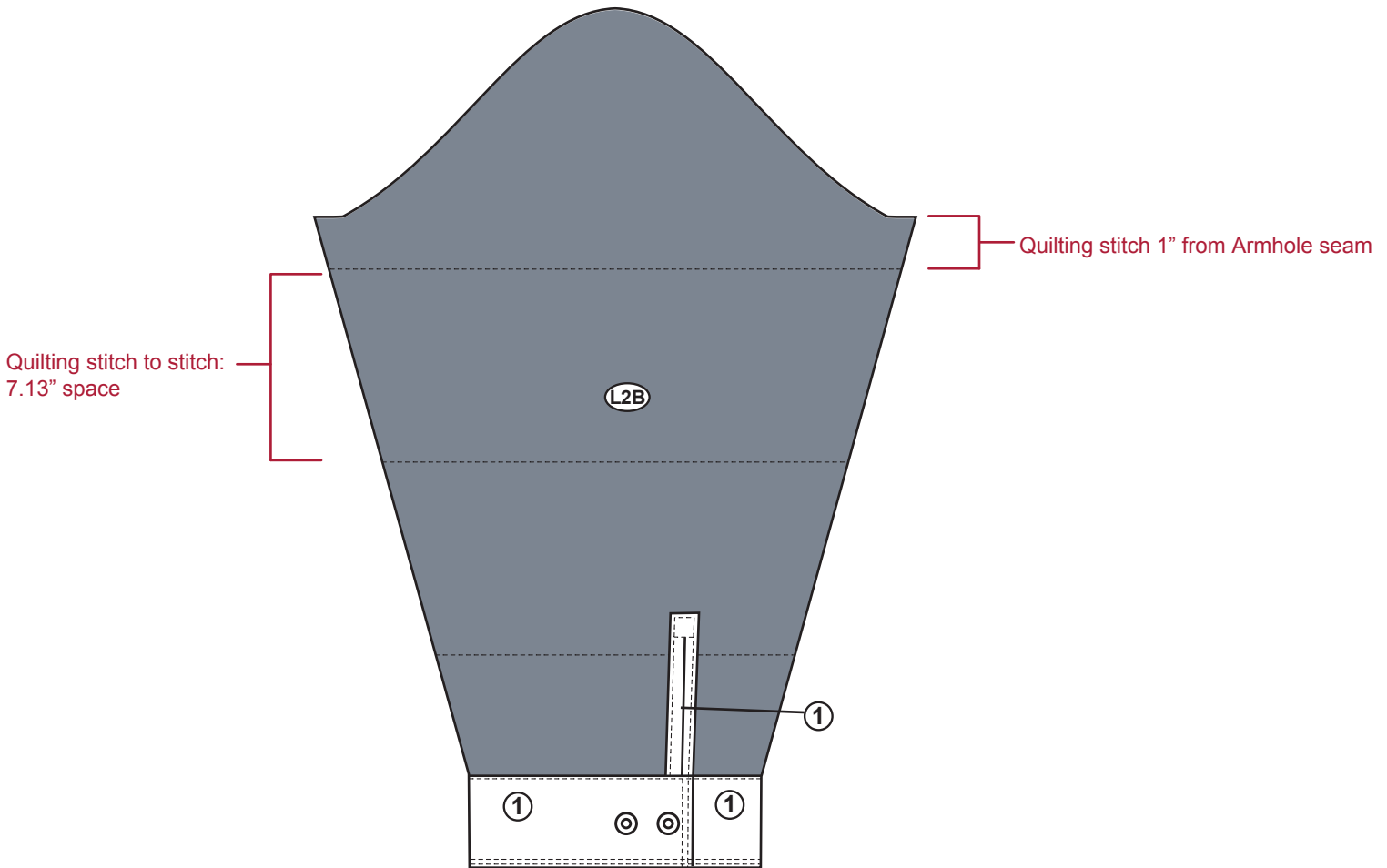
## Technical

Line Slot: Weston Pass FS Sherpa Lined Flannel      State: Production      Season: F24  
 Merchandise Division: Sportswear      Merchandise Collection: Exclusive      Product Class: Woven Tops L/S  
 Designer: jason.kissner      Developer: jamie.provencio      LO Developer: kgokul      Sourcing Manager: james.burnett  
 Fit Engineer: kdahlen

Design:	F4MS211099	Sample LO:	India	Production LO:	India		
Style	Material Style	Style Description	Pattern	Base Size	Size Scale	Fit	SMU Type
XO5158	2110992	Weston Pass™ FS Sherpa Lined Flannel	M24M7222	M	XXS - XXL	Active	Style Add, Tag On



### MEASUREMENTS FOR BASE SIZE ONLY



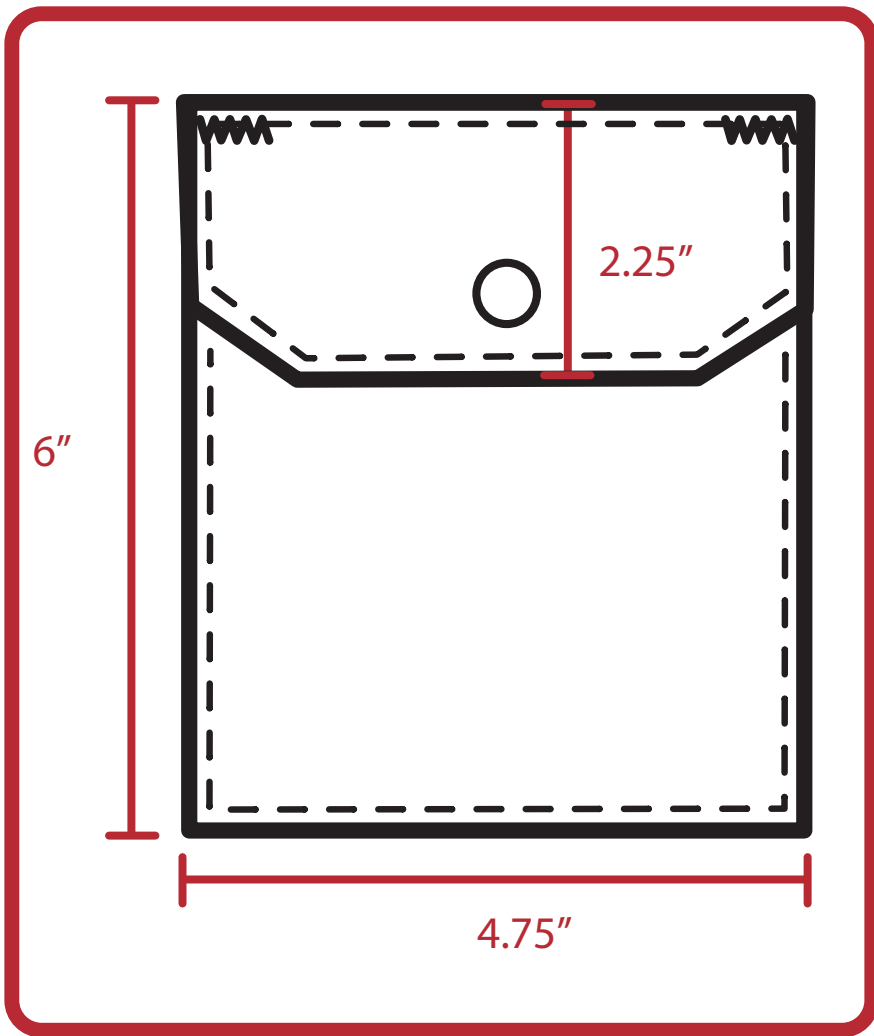
### Technical

Line Slot: Weston Pass FS Sherpa Lined Flannel      State: Production      Season: F24  
 Merchandise Division: Sportswear      Merchandise Collection: Exclusive      Product Class: Woven Tops L/S  
 Designer: jason.kissner      Developer: jamie.provencio      LO Developer: kgokul      Sourcing Manager: james.burnett  
 Fit Engineer: kdahlen

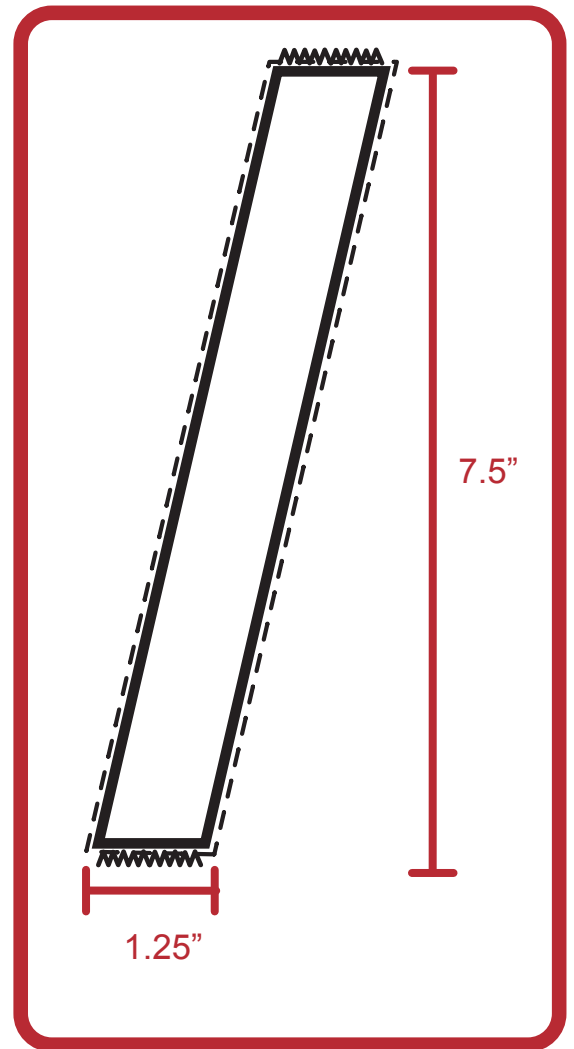
Design:	F4MS211099	Sample LO:	India	Production LO:	India		
Style	Material Style	Style Description	Pattern	Base Size	Size Scale	Fit	SMU Type
XO5158	2110992	Weston Pass™ FS Sherpa Lined Flannel	M24M7222	M	XXS - XXL	Active	Style Add, Tag On



### Front Chest Pocket



### Hand Welt Pocket





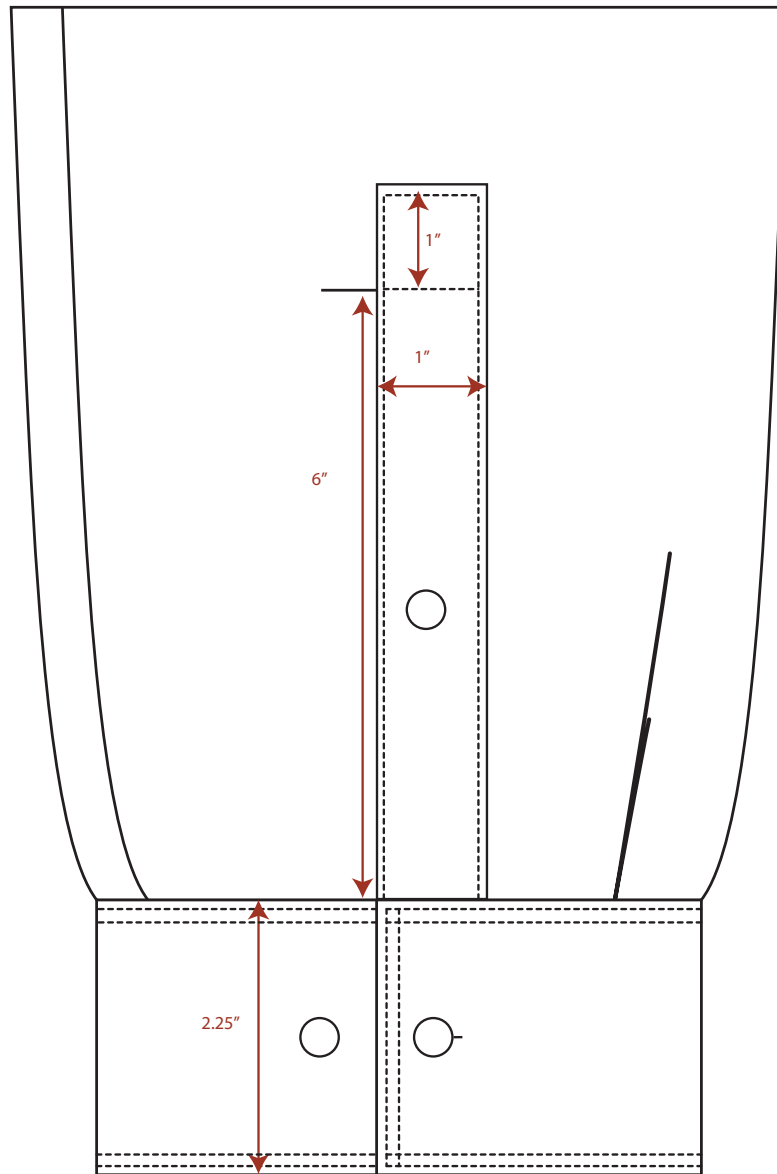
### Technical

Line Slot: Weston Pass FS Sherpa Lined Flannel      State: Production      Season: F24  
 Merchandise Division: Sportswear      Merchandise Collection: Exclusive      Product Class: Woven Tops L/S  
 Designer: jason.kissner      Developer: jamie.provencio      LO Developer: kgokul      Sourcing Manager: james.burnett  
 Fit Engineer: kdahlen

Design:	F4MS211099	Sample LO:	India	Production LO:	India		
Style	Material Style	Style Description	Pattern	Base Size	Size Scale	Fit	SMU Type
XO5158	2110992	Weston Pass™ FS Sherpa Lined Flannel	M24M7222	M	XXS - XXL	Active	Style Add, Tag On



### Gauntlet, Sleeve, Cuff, & Placket



### Technical

Line Slot: Weston Pass FS Sherpa Lined Flannel      State: Production      Season: F24  
 Merchandise Division: Sportswear      Merchandise Collection: Exclusive      Product Class: Woven Tops L/S  
 Designer: jason.kissner      Developer: jamie.provencio      LO Developer: kgokul      Sourcing Manager: james.burnett  
 Fit Engineer: kdahlen

Design:	F4MS211099	Sample LO:	India	Production LO:	India		
Style	Material Style	Style Description	Pattern	Base Size	Size Scale	Fit	SMU Type
XO5158	2110992	Weston Pass™ FS Sherpa Lined Flannel	M24M7222	M	XXS - XXL	Active	Style Add, Tag On



This is confidential and proprietary information of Columbia Sportswear Company. You agree that you will not disclose this information to any third party or use it for any purpose other than on behalf of Columbia. You have no right to use Columbia's name or any of its trademarks, trade names, copyrights, patents, designs or other intellectual property except as set forth in writing by Columbia.

# Hangtag Package Report

Apparel Style: XO5158

Season: F24

Brand: Columbia

Merchandise Category: Sportswear

Merchandiser: dabaldwin

Line Slot: Weston Pass FS Sherpa Lined Flannel

Sort Order: 0.0 Part: 126966 - Active Fit Swing Tag  
 Instruction: Swing tag to be placed on top of cover tag on same plastic loop.

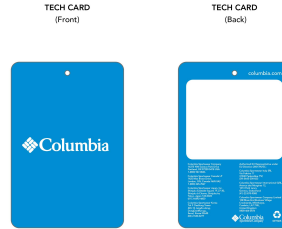
SKU/Inventory #	Color	Name	Inventory Date
OP1490983	126966	OP1490983_126966_MT_Active Fit	10-18-23



SKU/Color	Label	Material	Dimensions
Process Blue / Process Blue	32pt C25	MT-1	75 x 137 / 1056mm x 883mm
			Aperture Coating Die Cut, 3mm punch

Sort Order: 1.0 Part: 097305 - Columbia No Tech Hangtag  
 Instruction: (ANY TOP, KNIT OR WOVEN WITHOUT A CENTER FRONT ZIPPER OR BUTTON) Hangtags are to be hung with 3" straight plastic stringer through left underarm

SKU/Inventory #	Color	Name	Inventory Date
OP984553	097305	OP984553_097305_TC_Columbia_No Tech	09-26-22



SKU/Color	Label	Material	Dimensions
Process Blue / Process Blue	32pt C25	TC-1	231 x 148 / 5858mm x 883mm
			Aperture Coating Die Cut, 3mm Punch

Sort Order: 2.0 Part: 123130 - UPC/Pricing with RFID Sticker for Outlet  
 Instruction:

SKU/Inventory #	Color	Name	Inventory Date
N/A	123130	FDML_123130_RFID UPC Sticker with MAP for Outlet_20230323	04-12-23



\* FRONT MAP & "Columbia Made" is laser perforated section for USA ONLY  
 \* DO NOT print MAP & "Columbia Made" in laser perforated section for all other regions  
 \* DO NOT remove hangtag for perforated section  
 \* DO NOT print MAP & "Columbia Made" in laser perforated section for Sales Samples  
 (Check for back label perforations)

SKU/Color	Label	Material	Dimensions
Black	White, Out-Of-Home Sticker Stock	UPC-5	1585 x 1585 / 52mm x 41mm
			Diecut, 4mm in Perforated 3mm punch bottom hole