

Part Specifications with Approved Suppliers

Line Slot: Super Bluefin Winds Camp Shirt State: Production Season: F25
 Merchandise Division: Sportswear Merchandise Collection: Exclusive Product Class: Woven Tops S/S
 Designer: blange Developer: ccheng LO Developer: keerthis Sourcing Manager: james.burnett
 Fit Engineer: ccheng



Design: S8MS180432 Sample LO: Production LO: India Vendor Master INDIA Vendor Master INDIA
 Style Material Style Style Pattern Base Size Size Scale Fit SMU Type
 Description Sourcing LO:
 XM0693 1804321 Super Bluefin Winds™ Camp Shirt M18M3035 M XS - XXL Regular Carry Over

| Number | Description | UM | Fiber Content | Fiber Content Back | Material Coating | Material Finish (Face) | Material Laminate | Trim Specific | Supplier Art No | Country of Origin | Standard Cost (FOB) | Purchase Cost (CIF) | Product on Lead Time with Greige | Product on Lead Time without Greige |
|---------------------------------------|--|-------|-------------------------|--------------------|------------------|------------------------|-------------------|---------------|------------------|-------------------|---------------------|---------------------|----------------------------------|-------------------------------------|
| 080595 | 27mm Gem Columbia PFG Woven Clamshell Label with folded ends (Above) 2 clr | ea | 100% Recycled Polyester | unassigned | unassigned | unassigned | unassigned | Size UM: mm | | | | | | |
| Avery Dennison Global | | | | | | | | | 080595 | unassigned | 0.03038 | 0.0 | 30 | 30 |
| 057380 | 15mm Double-sided sun glasses woven swing label 2 clr | ea | 100% Polyester | unassigned | unassigned | unassigned | unassigned | Size UM: mm | | | | | | |
| Dong Young | | | | | | | | | DY-57380 | South Korea | 0.018 | 0.0 | 30 | 30 |
| Jointak Industrial Co. Ltd | | | | | | | | | 057380 - VKQ64VF | China | 0.0263 | 0.0 | 30 | 35 |
| Nexgen Packaging Global | | | | | | | | | 057380 | unassigned | 0.042 | 0.0 | 21 | 28 |
| 028934 | 63.3mm (B) OMNI-SHADE Screenprint 1 clr | ea | unassigned | unassigned | unassigned | unassigned | unassigned | Size UM: mm | | | | | | |
| FGV Sourced | | | | | | | | | 028934 | unassigned | 0.0 | 0.0 | 0 | 0 |
| FGV - Zuntex Apparel Ltd | | | | | | | | | 028934 | unassigned | 0.0 | 0.0 | 0 | 0 |
| FGV - Confecciones del Valle SA de CV | | | | | | | | | 028934 | unassigned | 0.0 | 0.0 | 0 | 0 |
| FGV - Hirdaramani Sourcing (HRD) | | | | | | | | | 028934 | unassigned | 0.0 | 0.0 | 0 | 0 |
| FGV - Kenpark Bangladesh Apparel | | | | | | | | | 028934 | unassigned | 0.0 | 0.0 | 0 | 0 |
| FGV - HAEWAE APPAREL INC.(HEA) | | | | | | | | | 028934 | unassigned | 0.0 | 0.0 | 0 | 0 |
| 008214 | Coats ASTRA Spun Polyester EV Tex 27 40/2 | meter | 100% Polyester | unassigned | unassigned | unassigned | unassigned | Size UM: tex | | | | | | |
| Coats Global Thread | | | | | | | | | EV65120 | unassigned | 0.0003 | 0.0 | 0 | 0 |
| 079632 | Coats Epic EV Tex 24 | meter | 100% Recycled Polyester | unassigned | unassigned | unassigned | unassigned | Size UM: tex | | | | | | |
| Coats Global Thread | | | | | | | | | EV51120 | unassigned | 0.00048 | 0.0 | 0 | 0 |
| 006564 | 33mm Care Content ECO Booklet Fold label with fully translated country of origin WHT/BLK for most, BLK/WHT for Titanium only, GRY/BLK is for Garment DYE ONLY - waiting on updated artwork | ea | 100% Recycled Polyester | unassigned | unassigned | unassigned | unassigned | Size UM: mm | | | | | | |
| Dong Young | | | | | | | | | DY-006564 | South Korea | 0.04 | 0.0 | 15 | 15 |
| Finotex El Salvador | | | | | | | | | 006564 | El Salvador | 0.0 | 0.0 | 10 | 0 |
| Avery Dennison Global | | | | | | | | | S2088861-8 | China | 0.016 | 0.0 | 30 | 30 |

Color BOM

Line Slot: Super Bluefin Winds Camp Shirt State: Production Season: F25
 Merchandise Division: Sportswear Merchandise Collection: Exclusive Product Class: Woven Tops S/S
 Designer: blange Developer: ccheng LO Developer: keerthis Sourcing Manager: james.burnett
 Fit Engineer: ccheng

Design: S8MS180432 Sample LO: Production LO: India
 Style Material Style Style Description Pattern Base Size Size Scale Fit SMU Type
 XM0693 1804321 Super Bluefin Winds™ Camp Shirt M XS - XXL Regular Carry Over



| Component | Details | Placement | Usage | Width | Marker Width | 026-Cool Grey, Tunado Tonal | 301-Midnight Teal, Ikat Palms | 316-Cypress, Ikat Palms | 481-Crushed Blue, Tiki Plaid | 852-Faded Peach, Tunado Tonal |
|--------------------------|--|--------------|---------|-------|--------------|-----------------------------|-------------------------------|-------------------------|------------------------------|-------------------------------|
| SAP Material Code | | | | | | 180432102 6 | 180432130 1 | 180432131 6 | 180432148 1 | 180432185 2 |
| | | | | | | 180432302 6 | 180432330 1 | 180432331 6 | 180432248 1 | 180432385 2 |
| | | | | | | 180432202 6 | 180432230 1 | 180432231 6 | 180432348 1 | 180432285 2 |
| SMU Accounts | | | | | | Outlet Stores | Outlet Stores | Outlet Stores | Outlet Stores | Outlet Stores |
| Shell 1 | 123988 S24 M + Y PFG Print on Base 099294 AP0011597 Dobby 100% Polyester 158 X 120 50D/72F X 50D/72F Wicking, UV Cut MaterialCoatingNone MaterialLaminateNone 73.0 g/m2 Scouring only (for Undyed Colors) Print-Sublimation | Tunado Tonal | 1.48 yd | 54.0 | 54 | Cool Grey | None | None | None | Faded Peach |
| Alt Shell 1A | 126353 Ikat Palms F24 Print on Base 099294 AP 11796 Dobby 100% Polyester 158 X 120 50D/72F X 50D/48F Wicking MaterialCoatingNone MaterialLaminateNone 73.0 g/m2 Scouring only (for Undyed Colors) Print-Sublimation | Ikat Palms | 1.48 yd | 54.0 | 0 | None | Midnight Teal | Cypress | None | None |

Color BOM

Line Slot: Super Bluefin Winds Camp Shirt State: Production Season: F25
 Merchandise Division: Sportswear Merchandise Collection: Exclusive Product Class: Woven Tops S/S
 Designer: blange Developer: ccheng LO Developer: keerthis Sourcing Manager: james.burnett
 Fit Engineer: ccheng

Design: S8MS180432 Sample LO: Production LO: India
 Style Material Style Style Description Pattern Base Size Size Scale Fit SMU Type
 XM0693 1804321 Super Bluefin Winds™ Camp Shirt M XS - XXL Regular Carry Over



| Component | Details | Placement | Usage | Width | Marker Width | 026-Cool Grey, Tunado Tonal | 301-Midnight Teal, Ikat Palms | 316-Cypress, Ikat Palms | 481-Crushed Blue, Tiki Plaid | 852-Faded Peach, Tunado Tonal |
|-------------------|--|------------|----------|-------|--------------|-----------------------------|-------------------------------|-------------------------|------------------------------|-------------------------------|
| SAP Material Code | | | | | | 180432102 6 | 180432130 1 | 180432131 6 | 180432148 1 | 180432185 2 |
| | | | | | | 180432302 6 | 180432330 1 | 180432331 6 | 180432248 1 | 180432385 2 |
| | | | | | | 180432202 6 | 180432230 1 | 180432231 6 | 180432348 1 | 180432285 2 |
| Alt Shell 1B | 126354 F24 Print on Base 099294 AP 11797 Dobby 100% Polyester 158 X 120 50D/72F X 50D/48F Wicking, UV Cut MaterialCoatingNone MaterialLaminateNone 73.0 g/m2 Scouring only (for Undyed Colors) Print-Sublimation | Tiki Plaid | 1.48 yd | 54.0 | 0 | None | None | None | Crushed Blue | None |
| Lining 1 | 200001 Mesh-Warp Knit 2mm mesh hole size Mesh 100% Polyester 28 MaterialFinishNone MaterialCoatingNone MaterialLaminateNone 65.0 g/m2 Piece Dye/Jet | | 0.155 yd | 60.0 | 60 | Cool Grey | Midnight Teal | Cypress | Crushed Blue | Faded Peach |
| Lining 2 | 055984 Polyester Microfiber Sueded face and back Interlock 100% Polyester 32 Sanded/Peached (technical back), Sanded/Peached (technical face) MaterialCoatingNone Polyethylene 147.0 g/m2 Piece Dye/Jet NA | | 0.007 yd | 63.0 | 63 | Cool Grey | Cool Grey | Cool Grey | Cool Grey | Cool Grey |

Color BOM

| | | | | | |
|---|----------------|-----------------------------------|----------|---------------------------------|------------|
| Line Slot: Super Bluefin Winds Camp Shirt | | State: Production | | Season: F25 | |
| Merchandise Division: Sportswear | | Merchandise Collection: Exclusive | | Product Class: Woven Tops S/S | |
| Designer: blange | | Developer: ccheng | | LO Developer: keerthis | |
| Fit Engineer: ccheng | | | | Sourcing Manager: james.burnett | |
| Design: | S8MS180432 | Sample LO: | | Production LO: | India |
| Style | Material Style | Style Description | Pattern | Base Size | Size Scale |
| XM0693 | 1804321 | Super Bluefin Winds™ Camp Shirt | M18M3035 | M | XS - XXL |
| | | | | Fit | SMU Type |
| | | | | Regular | Carry Over |



| Component | Details | Placement | Usage | Width | Marker Width | 026-Cool Grey, Tunado Tonal | 301-Midnight Teal, Ikat Palms | 316-Cypress, Ikat Palms | 481-Crushed Blue, Tiki Plaid | 852-Faded Peach, Tunado Tonal |
|--------------------------|--|-----------|----------|-------|--------------|---|---|---|---|---|
| SAP Material Code | | | | | | 180432102 6 | 180432130 1 | 180432131 6 | 180432148 1 | 180432185 2 |
| | | | | | | 180432302 6 | 180432330 1 | 180432331 6 | 180432248 1 | 180432385 2 |
| | | | | | | 180432202 6 | 180432230 1 | 180432231 6 | 180432348 1 | 180432285 2 |
| Interfacing 1 | 011953 Interlining Non-Woven Fusible Medium Weight for Garment Wash Interlining 100% Polyester 40.0 g/m2 | | 0.163 yd | 60.0 | 60 | White | White | White | White | White |
| Button 1 | 098148 20L DEBOSSSED COLUMBIA DARK HORN/LIGHT HORN (NO DTM) LOW PROFILE BUTTON (LIKE 056644) CAN BE USED FOR YOUTH | | 7 ea | 0.0 | 0 | Light Horn | Dark Horn | Dark Horn | Dark Horn | Light Horn |
| Drawcord-Cording-Laces 1 | 070437 2.5mm 4 color non stretch d/c | | 0.056 yd | 0.0 | 0 | Columbia Grey, Grill, Columbia Grey, Grill | Grill, Columbia Grey, Grill, Columbia Grey | Grill, Columbia Grey, Grill, Columbia Grey | Grill, Columbia Grey, Grill, Columbia Grey | Columbia Grey, Grill, Columbia Grey, Grill |
| Heat Transfer Glued 1 | 029832 51mm PFG triangle Heat Transfer Quality Label 4 clr was 007869 or 022412 | | 1 ea | 0.0 | 0 | PMS Cool Grey 3, PMS Cool Grey 7, Nightshade, White | PMS Cool Grey 3, PMS Cool Grey 7, Nightshade, White | PMS Cool Grey 3, PMS Cool Grey 7, Nightshade, White | PMS Cool Grey 3, PMS Cool Grey 7, Nightshade, White | PMS Cool Grey 3, PMS Cool Grey 7, Nightshade, White |
| Heat Transfer Glued 2 | 036635 47.4mm Gem Columbia heat Transfer brand size 2 3 clr CANNOT SHOW INSEAM | | 1 ea | 0.0 | 0 | White, Columbia Grey, Compass Blue | White, Columbia Grey, Compass Blue | White, Columbia Grey, Compass Blue | White, Columbia Grey, Compass Blue | White, Columbia Grey, Compass Blue |
| Label Logo 1 | 080595 27mm Gem Columbia PFG Woven Clamshell Label with folded ends (Above) 2 clr | | 1 ea | 0.0 | 0 | Cool Grey, Nightshade | Cool Grey, Nightshade | Cool Grey, Nightshade | Cool Grey, Nightshade | Cool Grey, Nightshade |
| Label Logo 2 | 057380 15mm Double-sided sun glasses woven swing label 2 clr | | 1 ea | 0.0 | 0 | Cool Grey, Grill | Cool Grey, Grill | Cool Grey, Grill | Cool Grey, Grill | Cool Grey, Grill |
| Screen Print 1 | 028934 63.3mm (B) OMNI-SHADE Screenprint 1 clr | | 1 ea | 0.0 | 0 | Grill | Grill | Grill | Grill | Grill |

Color BOM

| | | | | | |
|---|--|-----------------------------------|--|---------------------------------|--|
| Line Slot: Super Bluefin Winds Camp Shirt | | State: Production | | Season: F25 | |
| Merchandise Division: Sportswear | | Merchandise Collection: Exclusive | | Product Class: Woven Tops S/S | |
| Designer: blange | | Developer: ccheng | | LO Developer: keerthis | |
| Fit Engineer: ccheng | | | | Sourcing Manager: james.burnett | |
| Design: S8MS180432 | | Sample LO: | | Production LO: India | |
| Style Material Style | | Style Description | | Base Size | |
| XM0693 1804321 | | Super Bluefin Winds™ Camp Shirt | | M XS - XXL | |
| | | Pattern M18M3035 | | Fit Regular | |
| | | | | SMU Type Carry Over | |



| Component | Details | Placement | Usage | Width | Marker Width | 026-Cool Grey, Tunado Tonal | 301-Midnight Teal, Ikat Palms | 316-Cypress, Ikat Palms | 481-Crushed Blue, Tiki Plaid | 852-Faded Peach, Tunado Tonal |
|--------------------------|--|------------------------------|-----------|-------|--------------|-----------------------------|-------------------------------|-------------------------|------------------------------|-------------------------------|
| SAP Material Code | | | | | | 180432102 6 | 180432130 1 | 180432131 6 | 180432148 1 | 180432185 2 |
| | | | | | | 180432302 6 | 180432330 1 | 180432331 6 | 180432248 1 | 180432385 2 |
| | | | | | | 180432202 6 | 180432230 1 | 180432231 6 | 180432348 1 | 180432285 2 |
| Thread 1 | 008214 Coats ASTRA Spun Polyester EV Tex 27 40/2 | | 350 meter | 0.0 | 0 | Cool Grey | Midnight Teal | Cypress | Crushed Blue | Faded Peach |
| Alt Thread 1A | 079632 Coats Epic EV Tex 24 | For Alt Shell 1D 124040 only | 350 meter | 0.0 | 0 | None | None | None | None | None |
| Label 1 | 006564 33mm Care Content ECO Booklet Fold label with fully translated country of origin WHT/BLK for most, BLK/WHT for Titanium only, GRY/BLK is for Garment DYE ONLY- waiting on updated artwork | | 1 ea | 0.0 | 0 | White, Black | White, Black | White, Black | White, Black | White, Black |
| Hangtag Package Part | 111006 PFG Omni-Shade UPF 50, Omni-Wick Hangtag | | 1 ea | 0.0 | 0 | Artwork | Artwork | Artwork | Artwork | Artwork |
| Hangtag Package Part | 126967 Regular Fit Swing Tag | | 1 ea | 0.0 | 0 | Artwork | Artwork | Artwork | Artwork | Artwork |
| Hangtag Package Part | 123130 UPC/Pricing with RFID Sticker for Outlet | | 1 ea | 0.0 | 0 | Artwork | Artwork | Artwork | Artwork | Artwork |
| Packaging 1 | 980001 Polybag See Standard CCS 4200 for specifications | | 1 ea | 0.0 | 0 | Stock | Stock | Stock | Stock | Stock |
| Packaging 2 | 980010 UPC Bag Sticker Generic (MHW/Columbia) See CCS4400/ 4401 and MHW4402 for Mt Hardware for instructions | | 1 ea | 0.0 | 0 | Artwork | Artwork | Artwork | Artwork | Artwork |
| Packaging 3 | 064194 Outer Carton for costing purpose only | | 1 ea | 0.0 | 0 | Stock | Stock | Stock | Stock | Stock |

This is confidential and proprietary information of Columbia Sportswear Company. You agree that you will not disclose this information to any third party or use it for any purpose other than on behalf of Columbia. You have no right to use Columbia's name or any of its trademarks, trade names, copyrights, patents, designs or other intellectual property except as set forth in writing by

Color BOM

Line Slot: Super Bluefin Winds Camp Shirt

State: Production

Season: F25

Merchandise Division: Sportswear

Merchandise Collection: Exclusive

Product Class: Woven Tops S/S

Designer: blange

Developer: ccheng

LO Developer: keerthis

Sourcing Manager: james.burnett

Fit Engineer: ccheng

Design: S8MS180432

Sample LO:

Production LO: India

Style Material Style

Style Description

Pattern

Base Size

Size Scale

Fit

SMU Type

XM0693

1804321

Super Bluefin
Winds™ Camp
Shirt

M18M3035

M

XS - XXL

Regular

Carry Over



Columbia.

Colorless BOM

Line Slot: Super Bluefin Winds Camp Shirt State: Production Season: F25
 Merchandise Division: Sportswear Merchandise Collection: Exclusive Product Class: Woven Tops S/S
 Designer: blange Developer: ccheng LO Developer: keerthis Sourcing Manager: james.burnett
 Fit Engineer: ccheng
 Design: S8MS180432 Sample LO: Production LO: India
 Style Material Style Style Description Pattern Base Size Size Scale Fit SMU Type
 XM0693 1804321 Super Bluefin Winds™ Camp Shirt M18M3035 M XS - XXL Regular Carry Over



| Component | Details | Placement | Usage | Width | Marker Width |
|--------------------------|---|--------------|----------|-------|--------------|
| SAP Material Code | | | | | |
| Shell 1 | 123988 S24 M + Y PFG Print on Base 099294 AP0011597 Dobby 100% Polyester 158 X 120 50D/72F X 50D/72F Wicking, UV Cut MaterialCoatingNone MaterialLaminateNone 73.0 g/m2 Scouring only (for Undyed Colors) Print-Sublimation | Tunado Tonal | 1.48 yd | 54.0 | 54 |
| Alt Shell 1A | 126353 Ikat Palms F24 Print on Base 099294 AP 11796 Dobby 100% Polyester 158 X 120 50D/72F X 50D/48F Wicking MaterialCoatingNone MaterialLaminateNone 73.0 g/m2 Scouring only (for Undyed Colors) Print-Sublimation | Ikat Palms | 1.48 yd | 54.0 | 0 |
| Alt Shell 1B | 126354 F24 Print on Base 099294 AP 11797 Dobby 100% Polyester 158 X 120 50D/72F X 50D/48F Wicking, UV Cut MaterialCoatingNone MaterialLaminateNone 73.0 g/m2 Scouring only (for Undyed Colors) Print-Sublimation | Tiki Plaid | 1.48 yd | 54.0 | 0 |
| Lining 1 | 200001 Mesh-Warp Knit 2mm mesh hole size Mesh 100% Polyester 28 MaterialFinishNone MaterialCoatingNone MaterialLaminateNone 65.0 g/m2 Piece Dye/Jet | | 0.155 yd | 60.0 | 60 |
| Lining 2 | 055984 Polyester Microfiber Sueded face and back Interlock 100% Polyester 32 Sanded/Peached (technical back), Sanded/Peached (technical face) MaterialCoatingNone Polyethylene 147.0 g/m2 Piece Dye/Jet NA | | 0.007 yd | 63.0 | 63 |

Colorless BOM



Line Slot: Super Bluefin Winds Camp Shirt State: Production Season: F25
 Merchandise Division: Sportswear Merchandise Collection: Exclusive Product Class: Woven Tops S/S
 Designer: blange Developer: ccheng LO Developer: keerthis Sourcing Manager: james.burnett
 Fit Engineer: ccheng
 Design: S8MS180432 Sample LO: Production LO: India
 Style Material Style Style Description Pattern Base Size Size Scale Fit SMU Type
 XM0693 1804321 Super Bluefin Winds™ Camp Shirt M18M3035 M XS - XXL Regular Carry Over

| Component | Details | Placement | Usage | Width | Marker Width |
|--------------------------|--|------------------------------|-----------|-------|--------------|
| SAP Material Code | | | | | |
| Interfacing 1 | 011953 Interlining Non-Woven Fusible Medium Weight for Garment Wash Interlining 100% Polyester 40.0 g/m2 | | 0.163 yd | 60.0 | 60 |
| Button 1 | 098148 20L DEBOSSSED COLUMBIA DARK HORN/LIGHT HORN (NO DTM) LOW PROFILE BUTTON (LIKE 056644) CAN BE USED FOR YOUTH | | 7 ea | 0.0 | 0 |
| Drawcord-Cording-Laces 1 | 070437 2.5mm 4 color non stretch d/c | | 0.056 yd | 0.0 | 0 |
| Heat Transfer Glued 1 | 029832 51mm PFG triangle Heat Transfer Quality Label 4 clr was 007869 or 022412 | | 1 ea | 0.0 | 0 |
| Heat Transfer Glued 2 | 036635 47.4mm Gem Columbia heat Transfer brand size 2 3 clr CANNOT SHOW INSEAM | | 1 ea | 0.0 | 0 |
| Label Logo 1 | 080595 27mm Gem Columbia PFG Woven Clamshell Label with folded ends (Above) 2 clr | | 1 ea | 0.0 | 0 |
| Label Logo 2 | 057380 15mm Double-sided sun glasses woven swing label 2 clr | | 1 ea | 0.0 | 0 |
| Screen Print 1 | 028934 63.3mm (B) OMNI-SHADE Screenprint 1 clr | | 1 ea | 0.0 | 0 |
| Thread 1 | 008214 Coats ASTRA Spun Polyester EV Tex 27 40/2 | | 350 meter | 0.0 | 0 |
| Alt Thread 1A | 079632 Coats Epic EV Tex 24 | For Alt Shell 1D 124040 only | 350 meter | 0.0 | 0 |
| Label 1 | 006564 33mm Care Content ECO Booklet Fold label with fully translated country of origin WHT/BLK for most, BLK/WHT for Titanium only, GRY/BLK is for Garment DYE ONLY- waiting on updated artwork | | 1 ea | 0.0 | 0 |
| Hangtag Package Part | 111006 PFG Omni-Shade UPF 50, Omni-Wick Hangtag | | 1 ea | 0.0 | 0 |
| Hangtag Package Part | 126967 Regular Fit Swing Tag | | 1 ea | 0.0 | 0 |
| Hangtag Package Part | 123130 UPC/Pricing with RFID Sticker for Outlet | | 1 ea | 0.0 | 0 |
| Packaging 1 | 980001 Polybag See Standard CCS 4200 for specifications | | 1 ea | 0.0 | 0 |
| Packaging 2 | 980010 UPC Bag Sticker Generic (MHW/Columbia) See CCS4400/ 4401 and MHW4402 for Mt Hardware for instructions | | 1 ea | 0.0 | 0 |
| Packaging 3 | 064194 Outer Carton for costing purpose only | | 1 ea | 0.0 | 0 |

This is confidential and proprietary information of Columbia Sportswear Company. You agree that you will not disclose this information to any third party or use it for any purpose other than on behalf of Columbia. You have no right to use Columbia's name or any of its trademarks, trade names, copyrights, patents, designs or other intellectual property except as set forth in writing by Columbia.

Color Specification

Line Slot: Super Bluefin Winds Camp Shirt State: Production Season: F25
 Merchandise Division: Sportswear Merchandise Collection: Exclusive Product Class: Woven Tops S/S
 Designer: blange Developer: ccheng LO Developer: keerthis Sourcing Manager: james.burnett
 Fit Engineer: ccheng



Design: S8MS180432 Sample LO: Production LO: India
 Style Material Style Style Description Pattern Base Size Size Scale Fit SMU Type
 XM0693 1804321 Super Bluefin Winds™ Camp Shirt M XS - XXL Regular Carry Over

| | | | | | |
|-----------------------------------|---|---|---|---|---|
| Component - Material | 026-Cool Grey, Tunado Tonal | 301-Midnight Teal, Ikat Palms | 316-Cypress, Ikat Palms | 481-Crushed Blue, Tiki Plaid | 852-Faded Peach, Tunado Tonal |
| Shell 1 - 123988 | Cool Grey | None | None | None | Faded Peach |
| Alt Shell 1A - 126353 | None | Midnight Teal | Cypress | None | None |
| Alt Shell 1B - 126354 | None | None | None | Crushed Blue | None |
| Lining 1 - 200001 | Cool Grey | Midnight Teal | Cypress | Crushed Blue | Faded Peach |
| Thread 1 - 008214 | | | | | |
| Lining 2 - 055984 | Cool Grey | Cool Grey | Cool Grey | Cool Grey | Cool Grey |
| Interfacing 1 - 011953 | White | White | White | White | White |
| Button 1 - 098148 | Light Horn | Dark Horn | Dark Horn | Dark Horn | Light Horn |
| Drawcord-Cording-Laces 1 - 070437 | Columbia Grey, Grill, Columbia Grey, Grill | Grill, Columbia Grey, Grill, Columbia Grey | Grill, Columbia Grey, Grill, Columbia Grey | Grill, Columbia Grey, Grill, Columbia Grey | Columbia Grey, Grill, Columbia Grey, Grill |
| Heat Transfer Glued 1 - 029832 | PMS Cool Grey 3, PMS Cool Grey 7, Nightshade, White | PMS Cool Grey 3, PMS Cool Grey 7, Nightshade, White | PMS Cool Grey 3, PMS Cool Grey 7, Nightshade, White | PMS Cool Grey 3, PMS Cool Grey 7, Nightshade, White | PMS Cool Grey 3, PMS Cool Grey 7, Nightshade, White |
| Heat Transfer Glued 2 - 036635 | White, Columbia Grey, Compass Blue | White, Columbia Grey, Compass Blue | White, Columbia Grey, Compass Blue | White, Columbia Grey, Compass Blue | White, Columbia Grey, Compass Blue |
| Label Logo 1 - 080595 | Cool Grey, Nightshade | Cool Grey, Nightshade | Cool Grey, Nightshade | Cool Grey, Nightshade | Cool Grey, Nightshade |
| Label Logo 2 - 057380 | Cool Grey, Grill | Cool Grey, Grill | Cool Grey, Grill | Cool Grey, Grill | Cool Grey, Grill |
| Screen Print 1 - 028934 | Grill | Grill | Grill | Grill | Grill |
| Alt Thread 1A - 079632 | None | None | None | None | None |
| Label 1 - 006564 | White, Black | White, Black | White, Black | White, Black | White, Black |
| Hangtag Package Part - 111006 | Artwork | Artwork | Artwork | Artwork | Artwork |
| Hangtag Package Part - 126967 | | | | | |
| Hangtag Package Part - 123130 | | | | | |
| Packaging 2 - 980010 | Stock | Stock | Stock | Stock | Stock |
| Packaging 1 - 980001 | | | | | |
| Packaging 3 - 064194 | | | | | |

This is confidential and proprietary information of Columbia Sportswear Company. You agree that you will not disclose this information to any third party or use it for any purpose other than on behalf of Columbia. You have no right to use Columbia's name or any of its trademarks, trade names, copyrights, patents, designs or other intellectual property except as set forth in writing by Columbia.

Costing BOM

Line Slot: Super Bluefin Winds Camp Shirt

State: Production

Season: F25

Merchandise Division: Sportswear

Merchandise Collection: Exclusive

Product Class: Woven Tops S/S

Designer: blange

Developer: ccheng

LO Developer: keerthis

Sourcing Manager: james.burnett

Fit Engineer: ccheng



Design: S8MS180432

Sample LO:

Production LO: India

Style Material Style

Style Description

Pattern

Base Size

Size Scale

Fit

SMU Type

XM0693

1804321

Super Bluefin
Winds™ Camp
Shirt

M18M3035

M

XS - XXL

Regular

Carry Over

| Colorway Number | Color Way | FOB Material | CIF Material | FOB Trim | CIF Trim | Allowance % | Total FOB | Total CIF |
|-----------------|---------------------------|--------------|--------------|----------|----------|-------------|-----------|-----------|
| 026 | Cool Grey, Tunado Tonal | 4.110 | 0.000 | 0.633 | 0.101 | 0.0 | 4.743 | 0.101 |
| 301 | Midnight Teal, Ikat Palms | 4.110 | 0.000 | 0.633 | 0.101 | 0.0 | 4.743 | 0.101 |
| 316 | Cypress, Ikat Palms | 4.110 | 0.000 | 0.633 | 0.101 | 0.0 | 4.743 | 0.101 |
| 481 | Crushed Blue, Tiki Plaid | 4.110 | 0.000 | 0.633 | 0.101 | 0.0 | 4.743 | 0.101 |
| 852 | Faded Peach, Tunado Tonal | 4.110 | 0.000 | 0.633 | 0.101 | 0.0 | 4.743 | 0.101 |

Costing BOM

| | | | | | | | |
|---|----------------|-----------------------------------|----------|---------------------------------|------------|---------|------------|
| Line Slot: Super Bluefin Winds Camp Shirt | | State: Production | | Season: F25 | | | |
| Merchandise Division: Sportswear | | Merchandise Collection: Exclusive | | Product Class: Woven Tops S/S | | | |
| Designer: blange | | Developer: ccheng | | LO Developer: keerthis | | | |
| Fit Engineer: ccheng | | | | Sourcing Manager: james.burnett | | | |
| Design: | S8MS180432 | Sample LO: | | Production LO: | India | | |
| Style | Material Style | Style Description | Pattern | Base Size | Size Scale | Fit | SMU Type |
| XM0693 | 1804321 | Super Bluefin Winds™ Camp Shirt | M18M3035 | M | XS - XXL | Regular | Carry Over |



| Component | Material | Description | Fabric Width | Supplier | Locked | Country of Origin | Managin g Liaison Office | UoM | Target Cost | FOB Unit Cost | CIF Unit Cost | Usage | Wastage % | Total FOB | Total CIF |
|--------------|----------|---|--------------|-----------------------------------|--------|-------------------|--------------------------|-----|-------------|---------------|---------------|-------|-----------|-----------|--------------|
| Shell 1 | 123988 | S24 M + Y PFG Print on Base 099294 AP0011597 | 54.0 | Haren Textiles Pvt. Ltd. | N | India | India | yd | 0.0 | 2.59 | 0.0 | 1.480 | 3 | 3.948 | 0.000 |
| Alt Shell 1A | 126353 | Ikat Palms F24 Print on Base 099294 AP 11796 | 54.0 | Haren Textiles Pvt. Ltd. | N | India | India | yd | 0.0 | 2.59 | 0.0 | 1.480 | 3 | 3.948 | 0.000 |
| Alt Shell 1B | 126354 | F24 Print on Base 099294 AP 11797 | 54.0 | Haren Textiles Pvt. Ltd. | N | India | India | yd | 0.0 | 2.59 | 0.0 | 1.480 | 3 | 3.948 | 0.000 |
| Lining 1 | 200001 | Mesh-Warp Knit 2mm mesh hole size | 60.0 | Haren Textiles Pvt. Ltd. | Y | India | India | yd | 0.0 | 0.46 | 0.0 | 0.155 | 7 | 0.076 | 0.000 |
| Lining 2 | 055984 | Polyester Microfiber Sueded face and back | 63.0 | Far Eastern Textile Ltd. | N | Taiwan | Taiwan- Taipei | yd | 2.94 | 2.3 | 0.0 | 0.007 | 7 | 0.017 | 0.000 |

Costing BOM

| | | | | | | | |
|---|----------------|-----------------------------------|----------|---------------------------------|------------|---------|------------|
| Line Slot: Super Bluefin Winds Camp Shirt | | State: Production | | Season: F25 | | | |
| Merchandise Division: Sportswear | | Merchandise Collection: Exclusive | | Product Class: Woven Tops S/S | | | |
| Designer: blange | | Developer: ccheng | | LO Developer: keerthis | | | |
| Fit Engineer: ccheng | | | | Sourcing Manager: james.burnett | | | |
| Design: | S8MS180432 | Sample LO: | | Production LO: | India | | |
| Style | Material Style | Style Description | Pattern | Base Size | Size Scale | Fit | SMU Type |
| XM0693 | 1804321 | Super Bluefin Winds™ Camp Shirt | M18M3035 | M | XS - XXL | Regular | Carry Over |



| Component | Material | Description | Fabric Width | Supplier | Locked | Country of Origin | Managin g Liaison Office | UoM | Target Cost | FOB Unit Cost | CIF Unit Cost | Usage | Wastage % | Total FOB | Total CIF |
|--------------------------|----------|---|--------------|-------------------------------------|--------|-------------------|--------------------------|-----|-------------|---------------|---------------|-------|-----------|-----------|-----------|
| Interfacing 1 | 011953 | Interlining Non-Woven Fusible Medium Weight for Garment Wash | 60.0 | PCC asia LLC | Y | China | India | yd | 0.0 | 0.41 | 0.0 | 0.163 | 3 | 0.069 | 0.000 |
| Button 1 | 098148 | 20L DEBOSSSED COLUMBIA DARK HORN/LIGHT HORN (NO DTM) LOW PROFILE BUTTON (LIKE 056644) CAN BE USED FOR YOUTH | 0.0 | BANGAL ORE SALES CORPOR ATION | Y | India | India | ea | 0.0 | 0.0076 | 0.0 | 7.000 | 2.0 | 0.054 | 0.000 |
| Drawcord-Cording-Laces 1 | 070437 | 2.5mm 4 color non stretch d/c | 0.0 | FGV - Shahi Exports Pvt. (SEP) Ltd. | Y | India | India | yd | 0.0 | 0.042 | 0.0 | 0.056 | 7.0 | 0.003 | 0.000 |

Costing BOM

| | | | | | | | |
|---|----------------|-----------------------------------|----------|---------------------------------|------------|---------|------------|
| Line Slot: Super Bluefin Winds Camp Shirt | | State: Production | | Season: F25 | | | |
| Merchandise Division: Sportswear | | Merchandise Collection: Exclusive | | Product Class: Woven Tops S/S | | | |
| Designer: blange | | Developer: ccheng | | LO Developer: keerthis | | | |
| Fit Engineer: ccheng | | | | Sourcing Manager: james.burnett | | | |
| Design: | S8MS180432 | Sample LO: | | Production LO: | India | | |
| Style | Material Style | Style Description | Pattern | Base Size | Size Scale | Fit | SMU Type |
| XM0693 | 1804321 | Super Bluefin Winds™ Camp Shirt | M18M3035 | M | XS - XXL | Regular | Carry Over |



| Component | Material | Description | Fabric Width | Supplier | Locked | Country of Origin | Managing Liaison Office | UoM | Target Cost | FOB Unit Cost | CIF Unit Cost | Usage | Wastage % | Total FOB | Total CIF |
|-----------------------|----------|--|--------------|-----------------------|--------|-------------------|-------------------------|-----|-------------|---------------|---------------|-------|-----------|-----------|-----------|
| Heat Transfer Glued 1 | 029832 | 51mm PFG triangle Heat Transfer Quality Label 4 clr was 007869 or 022412 | 0.0 | Stapros | N | Taiwan | Taiwan-Taipei | ea | 0.0 | 0.18 | 0.0 | 1.000 | 2.0 | 0.184 | 0.000 |
| Heat Transfer Glued 2 | 036635 | 47.4mm Gem Columbia heat Transfer brand size 2 3 clr CANNOT SHOW INSEAM | 0.0 | Stapros | N | Taiwan | Taiwan-Taipei | ea | 0.0 | 0.09 | 0.099 | 1.000 | 2.0 | 0.092 | 0.101 |
| Label Logo 1 | 080595 | 27mm Gem Columbia PFG Woven Clamshell Label with folded ends (Above) 2 clr | 0.0 | Avery Dennison Global | N | unassigned | Portland | ea | 0.0 | 0.03038 | 0.0 | 1.000 | 3.0 | 0.031 | 0.000 |

Costing BOM

| | | | | | | | |
|---|----------------|-----------------------------------|----------|-------------------------------|------------|---------------------------------|------------|
| Line Slot: Super Bluefin Winds Camp Shirt | | | | State: Production | | Season: F25 | |
| Merchandise Division: Sportswear | | Merchandise Collection: Exclusive | | Product Class: Woven Tops S/S | | | |
| Designer: blange | | Developer: ccheng | | LO Developer: keerthis | | Sourcing Manager: james.burnett | |
| Fit Engineer: ccheng | | | | | | | |
| Design: | S8MS180432 | Sample LO: | | Production LO: | India | | |
| Style | Material Style | Style Description | Pattern | Base Size | Size Scale | Fit | SMU Type |
| XM0693 | 1804321 | Super Bluefin Winds™ Camp Shirt | M18M3035 | M | XS - XXL | Regular | Carry Over |



| Component | Material | Description | Fabric Width | Supplier | Locked | Country of Origin | Managin g Liaison Office | UoM | Target Cost | FOB Unit Cost | CIF Unit Cost | Usage | Wastage % | Total FOB | Total CIF |
|----------------|----------|---|--------------|----------------------------|--------|-------------------|--------------------------|-------|-------------|---------------|---------------|---------|-----------|-----------|-----------|
| Label Logo 2 | 057380 | 15mm Double-sided sun glasses woven swing label 2 clr | 0.0 | Jointak Industrial Co. Ltd | N | China | Taiwan-Taipei | ea | 0.0 | 0.0263 | 0.0 | 1.000 | 3.0 | 0.027 | 0.000 |
| Screen Print 1 | 028934 | 63.3mm (B) OMNI-SHADE Screenprint 1 clr | 0.0 | FGV Sourced | N | unassigne d | Portland | ea | 0.0 | 0.0 | 0.0 | 1.000 | 2.0 | 0.000 | 0.000 |
| Thread 1 | 008214 | Coats ASTRA Spun Polyester EV Tex 27 40/2 | 0.0 | Coats Global Thread | N | unassigne d | Portland | meter | 0.0 | 0.0003 | 0.0 | 350.000 | 5.0 | 0.110 | 0.000 |
| Alt Thread 1A | 079632 | Coats Epic EV Tex 24 | 0.0 | Coats Global Thread | N | unassigne d | Portland | meter | 0.0 | 0.00048 | 0.0 | 350.000 | 5.0 | 0.000 | 0.000 |

Costing BOM

Line Slot: Super Bluefin Winds Camp Shirt State: Production Season: F25
 Merchandise Division: Sportswear Merchandise Collection: Exclusive Product Class: Woven Tops S/S
 Designer: blange Developer: ccheng LO Developer: keerthis Sourcing Manager: james.burnett
 Fit Engineer: ccheng

Design: S8MS180432 Sample LO: Production LO: India
 Style Material Style Style Description Pattern Base Size Size Scale Fit SMU Type
 XM0693 1804321 Super Bluefin Winds™ Camp Shirt M XS - XXL Regular Carry Over



| Component | Material | Description | Fabric Width | Supplier | Locked | Country of Origin | Managing Liaison Office | UoM | Target Cost | FOB Unit Cost | CIF Unit Cost | Usage | Wastage % | Total FOB | Total CIF |
|----------------------|----------|---|--------------|-------------------------|--------|-------------------|-------------------------|-----|-------------|---------------|---------------|-------|-----------|-----------|-----------|
| Label 1 | 006564 | 33mm Care Content ECO Booklet Fold label with fully translated country of origin WHT/BLK for most, BLK/WHT for Titanium only, GRY/BLK is for Garment DYE ONLY- waiting on updated artwork | 0.0 | Avery Dennison Global | N | China | Portland | ea | 0.0 | 0.016 | 0.0 | 1.000 | 3.0 | 0.016 | 0.000 |
| Hangtag Package Part | 123130 | UPC/Pricing with RFID Sticker for Outlet | 0.0 | Avery Dennison Global | Y | unassigned | Portland | ea | 0.0 | 0.04875 | 0.0 | 1.000 | 5.0 | 0.051 | 0.000 |
| Hangtag Package Part | 126967 | Regular Fit Swing Tag | 0.0 | Hang Sang Press Co. Ltd | N | unassigned | Portland | ea | 0.0 | 0.023 | 0.0 | 1.000 | 3.0 | 0.024 | 0.000 |

Costing BOM

| | | | | | | | |
|---|----------------|-----------------------------------|----------|---------------------------------|------------|---------|------------|
| Line Slot: Super Bluefin Winds Camp Shirt | | State: Production | | Season: F25 | | | |
| Merchandise Division: Sportswear | | Merchandise Collection: Exclusive | | Product Class: Woven Tops S/S | | | |
| Designer: blange | | Developer: ccheng | | LO Developer: keerthis | | | |
| Fit Engineer: ccheng | | | | Sourcing Manager: james.burnett | | | |
| Design: | S8MS180432 | Sample LO: | | Production LO: | India | | |
| Style | Material Style | Style Description | Pattern | Base Size | Size Scale | Fit | SMU Type |
| XM0693 | 1804321 | Super Bluefin Winds™ Camp Shirt | M18M3035 | M | XS - XXL | Regular | Carry Over |



| Component | Material | Description | Fabric Width | Supplier | Locked | Country of Origin | Managing Liaison Office | UoM | Target Cost | FOB Unit Cost | CIF Unit Cost | Usage | Wastage % | Total FOB | Total CIF |
|----------------------|----------|--|--------------|-------------------------|--------|-------------------|-------------------------|-----|-------------|---------------|---------------|-------|-----------|-----------|-----------|
| Hangtag Package Part | 111006 | PFG Omni-Shade UPF 50, Omni-Wick Hangtag | 0.0 | Hang Sang Press Co. Ltd | N | unassigned | Portland | ea | 0.0 | 0.0287 | 0.0 | 1.000 | 3.0 | 0.030 | 0.000 |
| Packaging 1 | 980001 | Polybag See Standard CCS 4200 for specifications | 0.0 | Contractor | N | unassigned | Hong Kong | ea | 0.0 | 0.0 | 0.0 | 1.000 | 3.0 | 0.000 | 0.000 |
| Packaging 2 | 980010 | UPC Bag Sticker Generic (MHW/Columbia) See CCS4400/4401 and MHW4402 for Mt Hardware for instructions | 0.0 | Avery Dennison Global | Y | China | Portland | ea | 0.0 | 0.01089 | 0.0 | 1.000 | 5.0 | 0.011 | 0.000 |
| Packaging 3 | 064194 | Outer Carton for costing purpose only | 0.0 | Contractor | N | unassigned | Hong Kong | ea | 0.0 | 0.0 | 0.0 | 1.000 | 3.0 | 0.000 | 0.000 |

Costing BOM

| | | | | | | | |
|---|----------------|-----------------------------------|----------|---------------------------------|------------|---------|------------|
| Line Slot: Super Bluefin Winds Camp Shirt | | State: Production | | Season: F25 | | | |
| Merchandise Division: Sportswear | | Merchandise Collection: Exclusive | | Product Class: Woven Tops S/S | | | |
| Designer: blange | | Developer: ccheng | | LO Developer: keerthis | | | |
| Fit Engineer: ccheng | | | | Sourcing Manager: james.burnett | | | |
| Design: | S8MS180432 | Sample LO: | | Production LO: | India | | |
| Style | Material Style | Style Description | Pattern | Base Size | Size Scale | Fit | SMU Type |
| XM0693 | 1804321 | Super Bluefin Winds™ Camp Shirt | M18M3035 | M | XS - XXL | Regular | Carry Over |



This is confidential and proprietary information of Columbia Sportswear Company. You agree that you will not disclose this information to any third party or use it for any purpose other than on behalf of Columbia. You have no right to use Columbia's name or any of its trademarks, trade names, copyrights, patents, designs or other intellectual property except as set forth in writing by Columbia.

Instructions

Line Slot: Super Bluefin Winds Camp Shirt State: Production Season: F25
 Merchandise Division: Sportswear Merchandise Collection: Exclusive Product Class: Woven Tops S/S
 Designer: blange Developer: ccheng LO Developer: keerthis Sourcing Manager: james.burnett
 Fit Engineer: ccheng
 Design: S8MS180432 Sample LO: Production LO: India
 Style Material Style Style Description Pattern Base Size Size Scale Fit SMU Type
 XM0693 1804321 Super Bluefin Winds™ Camp Shirt M18M3035 M XS - XXL Regular Carry Over



| Category | Subcategory | Description | Comments |
|--------------------|------------------------|---|--|
| FABRIC DESCRIPTION | CUTTING / MARKING | TWO WAY CUT - CUT ONE UP AND ONE DOWN: All pieces in each garment must be cut in same direction. DO NOT MIX BUNDLES | 123988 Tunado Tonal 126353 Ikat Palms 126354 Tiki Plaid |
| | | DO NOT MATCH | 123988 Tunado Tonal 126353 Ikat Palms 126354 Tiki Plaid |
| BUTTONHOLES | BUTTONHOLES FUNCTIONAL | SIZED TO ACCOMMODATE BUTTON | 6 Front Placket |
| BARTACKS | BARTACK FUNCTIONAL | 3/8 INCH IN LENGTH | 1 Sunglass loop 2 Chest pocket opening 4/2 Back vent opening |
| | | 1/2 INCH IN LENGTH | 2/1 Side vent |
| EYELETS (SEWN) | EYELETS (SEWN) | SEE COMMENTS | 3 Chest Pocket |

This is confidential and proprietary information of Columbia Sportswear Company. You agree that you will not disclose this information to any third party or use it for any purpose other than on behalf of Columbia. You have no right to use Columbia's name or any of its trademarks, trade names, copyrights, patents, designs or other intellectual property except as set forth in writing by Columbia.

Care Report

Line Slot: Super Bluefin Winds Camp Shirt State: Production Season: F25
 Merchandise Division: Sportswear Merchandise Collection: Exclusive Product Class: Woven Tops S/S
 Designer: blange Developer: ccheng LO Developer: keerthis Sourcing Manager: james.burnett
 Fit Engineer: ccheng

Design: S8MS180432 Sample LO: Production LO: India
 Style Material Style Style Description Pattern Base Size Size Scale Fit SMU Type
 XM0693 1804321 Super Bluefin Winds™ Camp Shirt M XS - XXL Regular Carry Over



| Care Code: 1050 | | Color Way Number | Color Way Name |
|------------------------|---|------------------|---------------------------|
| English | Machine Wash Cold Gentle, Wash Separately, Do Not Bleach, Tumble Dry Low, Remove Promptly, Iron Low, Do Not Use Fabric Softener, Do Not Dryclean | 026 | Cool Grey, Tunado Tonal |
| French | Lavage machine à froid, Cycle délicat, Laver séparément, Ne pas utiliser d'eau de javel, Séchage machine, basse température, Sortir immédiatement de la machine, Repasser à basse température, Ne pas utiliser d'assouplissant, Nettoyage à sec interdit | 301 | Midnight Teal, Ikat Palms |
| German | Schonwaschgang mit kaltem Wasser, Separat waschen, Keine Bleichmittel verwenden, Trocknen im Wäschetrockner bei niedriger Temperatur, Sofort aus dem Trockner nehmen, Bügeln mit niedriger Temperatur, Keine Weichspüler verwenden, Nicht chemisch reinigen | 316 | Cypress, Ikat Palms |
| Portuguese | Lavar à maquina com água fria, ciclo para roupas delicadas, Lavar separadamente, Não alvejar, Secar à máquina em temperatura baixa, Remover prontamente, Passar a ferro em baixa temperatura, Não usar amaciante, Não utilizar limpeza a seco | 481 | Crushed Blue, Tiki Plaid |
| Spanish | Lavar a maquina con agua fría, en ciclo delicado, Lavar por separado, No usar lejía, Usar secadora a temperatura baja, Retirar inmediatamente, Planchar a temperatura baja, No usar suavizante de telas, No lavar en seco | 852 | Faded Peach, Tunado Tonal |
| Italian | Lavare in lavatrice in acqua fredda, ciclo delicato, Lavare separatamente, Non candeggiare, Asciugare a tamburo a bassa temperatura, Rimuovere tempestivamente, Stirare con ferro a temperatura bassa, Non utilizzare ammorbidente, Non lavare a secco | | |
| Russian | Щадящая машинная стирка в холодной воде, Стирать отдельно, Не отбеливать, Сушить при низкой температуре, Сразу убрать из сушилки, Гладить при низкой температуре, Не использовать кондиционер для тканей, Химчистка запрещена | | |
| Czech Republic | Praní v pračce při nízké teplotě, jemný cyklus, Prát samostatně, Nebělit, Sušení v sušičce, nízká teplota, Ihned odepnout, Žehlení při nízké teplotě, Nepoužívat aviváž, Nečistit chemicky | | |
| Hebrew | כביסה במכונה במים קרים, כביסה עדינה, לכבס בנפרד, לא להלבין, לייבש במייבש כביסה בחום נמוך, להסיר מיד, לגהץ בחום נמוך, לא להשתמש במרכך כביסה, לא לנקות בניקוי יבש | | |
| Hungarian | Géppel mossa, hideg vízzel, kímélő programmal, Különválasztva mossa, Ne használjon fehérítőt, Szárítógépben alacsony hőfokon szárítsa, Mosás után azonnal vegye ki a gépből, Alacsony hőfokon vasalja, Ne használjon öblítőszer, Ne vegytisztítsa | | |
| Polish | Prać w temperaturze nie przekraczającej 30°C, cykl delikatny, Prać oddzielnie, Nie chlorować, Można suszyć bębnowo, niska temperatura, Natychmiast usunąć, Prasować w temperaturze do 100°C, Nie używać zmiękczacza do tkanin, Nie czyścić chemicznie | | |
| Portuguese Brazil | Lavar à maquina com água fria, ciclo para roupas delicadas, Lavar separadamente, Não alvejar, Secar em tambor rotativo em temperatura baixa, Remover prontamente, Passar a ferro em baixa temperatura, Não usar amaciante, Não utilizar limpeza a seco | | |
| Slovakian | Perte v pračke v studenej vode, šetriaci program, Perte oddelene, Neodfarbujte, Sušte v bubnovej sušičke pri nízkych otáčkach, Okamžite odstráňte, Žehlite žehličkou s nízkou teplotou, Nepoužívajte avivážne prípravky, Nečistite chemicky | | |
| Slovenian | Nežno mrzlo strojno pranje, Prati posebej, Ne belite, Nizko strojno sušenje, Odstraniti takoj, Nizko likanje, Ne uporabljati mehčalca, Ne suho čistiti | | |
| Spanish Latin American | Lavar a maquina con agua fría, en ciclo delicado, Lavar por separado, No usar blanqueador, Usar secadora a temperatura baja, Retirar inmediatamente, Planchar a temperatura baja, No usar suavizante de telas, No lavar en seco | | |
| Turkish | Makinada Yikanır, Soğuk, Narin Program, Ayrı Yıkayın, Ağartıcı Kullanmayın, Tambur Kurutma, Düşük, Hemen Çıkarın, Düşük Isıda Ütöleyin, Çamaşır Yumuşatıcısı Kullanmayın, Kuru Temizleme Yapmayın | | |
| Chinese Simplified | 冷水慢循环机洗, 分开洗涤, 请勿漂白, 低温滚筒烘干, 及时拆除, 低温熨烫, 请勿使用织物柔软剂, 请勿干洗 | | |
| Chinese Traditional | 冷水慢迴圈機洗, 分開洗滌, 請勿漂白, 低溫滾筒烘乾, 及時拆除, 低溫熨燙, 請勿使用織物柔軟劑, 請勿乾洗 | | |
| Japanese | 洗濯機水洗い(デリケートコース), 個別に洗濯してください, 漂白剤使用不可, 乾燥機使用可(低温), すぐに外してください, アイロン可(低温), 柔軟剤の使用不可, ドライクリーニング不可 | | |
| Korean | , , 가, , , , 가, | | |

Care Report

Line Slot: Super Bluefin Winds Camp Shirt

State: Production

Season: F25

Merchandise Division: Sportswear

Merchandise Collection: Exclusive

Product Class: Woven Tops S/S

Designer: blange

Developer: ccheng

LO Developer: keerthis

Sourcing Manager: james.burnett

Fit Engineer: ccheng

Design: S8MS180432

Sample LO:

Production LO: India

Style Material Style

Style Description

Pattern

Base Size

Size Scale

Fit

SMU Type

XM0693

1804321

Super Bluefin
Winds™ Camp
Shirt

M18M3035

M

XS - XXL

Regular

Carry Over



| | |
|------------------------|---|
| Danish | Kold maskinvask, skåneprogram, Vask seperat, Må ikke afbleges, Tør i tørretumbler, lav, Fjern med det samme, Stryges ved lav temperatur, Brug ikke skyllemiddel, Må ikke renses kemisk |
| Norwegian | Maskinvask kald, forsiktig, Vaskes separat, Må ikke blekes, Tørketrommel, lav, Fjernes umiddelbart, Strykes lav temp., Ikke bruk tøymykner, Skal ikke renses |
| Swedish | Maskintvättas kallt mjuk cykel, Tvättas separat, Får inte blekas, Torktumlas på låg nivå, Ta bort omgående, Stryks på lägsta nivå, Sköljmedel får inte användas, Kemtvättas inte |
| Dutch | Koud wassen in wasmachine op zacht, Apart wassen, Niet bleken, In droger op laag, Meteen verwijderen, Op laag strijken, Geen wasverzachter gebruiken, Niet laten stomen |
| French Canadian | Laver à la machine à l'eau froide, cycle délicat, Laver séparément, Ne pas utiliser d'agent de blanchiment, Séchage par culbutage à basse température, Retirer aussitôt sec, Repasser à basse température, Ne pas utiliser d'assouplisseur, Ne pas nettoyer à sec |



Content Report

Line Slot: Super Bluefin Winds Camp Shirt State: Production Season: F25
 Merchandise Division: Sportswear Merchandise Collection: Exclusive Product Class: Woven Tops S/S
 Designer: blange Developer: ccheng LO Developer: keerthis Sourcing Manager: james.burnett
 Fit Engineer: ccheng



Design: S8MS180432 Sample LO: Production LO: India
 Style Material Style Style Description Pattern Base Size Size Scale Fit SMU Type
 XM0693 1804321 Super Bluefin Winds™ Camp Shirt M XS - XXL Regular Carry Over

| CONTENT CODE: BVO | | Color Way Number | Color Way Name |
|--|---|------------------|---------------------------|
| Shell: 100% Polyester | | | |
| Lining: 100% Polyester Exclusive of Trimming | | | |
| FRENCH | Extérieur: 100% Polyester Doublure: 100% Polyester Sauf les bordures | 301 | Midnight Teal, Ikat Palms |
| GERMAN | Außenhülle: 100% Polyester Futter: 100% Polyester Ohne Besatz | 481 | Crushed Blue, Tiki Plaid |
| PORTUGUESE | Exterior: 100% Poliéster Revestimento: 100% Poliéster Sem orlas | 026 | Cool Grey, Tunado Tonal |
| SPANISH | Cubierta: 100% Poliéster Revestimiento: 100% Poliéster Exclusivo de los ribetes | 852 | Faded Peach, Tunado Tonal |
| ITALIAN | Guscio esterno: 100% Poliestere Fodera: 100% Poliestere Ad eccezione dei bordini | 316 | Cypress, Ikat Palms |
| RUSSIAN | Оболочка: 100% Полиэфир Подклад: 100% Полиэфир Без дополнительных деталей | | |
| CZECH REPUBLICAN | Skořepina: 100% Polyester Podšívka: 100% Polyester Bez nášivek | | |
| HEBREW | מעטפת חיצונית: 100% פוליאסטר בטנה: 100% פוליאסטר ללא קישוט | | |
| HUNGARIAN | Külső: 100% Poliészter Bélés: 100% Poliészter Szegélydíszen kívül | | |
| POLISH | Powłoka: 100% Poliester Podszewka: 100% Poliester Wylączając naszywki | | |
| PORTUGUESE BRAZIL | Exterior: 100% Poliéster Forro: 100% Poliéster Sem adornos | | |
| SLOVAKIAN | Plášť: 100% Polyester Podšívka: 100% Polyester Okrem lemovania | | |
| SLOVENIAN | Lupina: 100% Poliester Podloga: 100% Poliester Brez obrezovanja | | |
| SPANISH LATIN AMERICAN | Cubierta: 100% Poliéster Revestimiento: 100% Poliéster Exclusivo de los ribetes | | |
| TURKISH | Kabuk: 100% Polyester Astar: 100% Polyester Süsler Hariç | | |

Content Report

| | | | | | | | |
|---|----------------|-----------------------------------|----------|---------------------------------|------------|---------|------------|
| Line Slot: Super Bluefin Winds Camp Shirt | | State: Production | | Season: F25 | | | |
| Merchandise Division: Sportswear | | Merchandise Collection: Exclusive | | Product Class: Woven Tops S/S | | | |
| Designer: blange | | Developer: ccheng | | LO Developer: keerthis | | | |
| Fit Engineer: ccheng | | | | Sourcing Manager: james.burnett | | | |
| Design: | S8MS180432 | Sample LO: | | Production LO: | India | | |
| Style | Material Style | Style Description | Pattern | Base Size | Size Scale | Fit | SMU Type |
| XM0693 | 1804321 | Super Bluefin Winds™ Camp Shirt | M18M3035 | M | XS - XXL | Regular | Carry Over |



| | | |
|----------------------------|---------------------------------------|---|
| CHINESE SIMPLIFIED | 外壳: 衬里: | 100% 聚酯 100% 聚酯 不包括装饰品 |
| CHINESE TRADITIONAL | 外殼: 襯裡: | 100% 聚酯 100% 聚酯 不包括裝飾品 |
| JAPANESE | シエル: 裏地: | 100% ポリエステル 100% ポリエステル 装飾品を除く |
| KOREAN | : : | 100% 100% |
| DANISH | Skal: Foring: | 100% Polyester 100% Polyester Inkluderer ikke kant |
| NORWEGIAN | Skall: Foring: | 100% Polyester 100% Polyester Eksklusiv trimming |
| SWEDISH | Ytterdel: Foder: | 100% Polyester 100% Polyester Utan trimming |
| DUTCH | Schelp: Bekleding: | 100% Polyester 100% Polyester Exclusief trimmen |
| FRENCH CANADIAN | Extérieur: Doublure: | 100% Polyester 100% Polyester Exclut les bordures |

Pattern Piece Detail

| | | | |
|---|-----------------------------------|---|---------------------------------|
| Line Slot: Super Bluefin Winds Camp Shirt | | State: Production | Season: F25 |
| Merchandise Division: Sportswear | Merchandise Collection: Exclusive | Product Class: Woven Tops S/S | |
| Designer: blange | Developer: ccheng | LO Developer: keerthis | Sourcing Manager: james.burnett |
| Fit Engineer: ccheng | | | |
| Design: S8MS180432 | Sample LO: | Production LO: | India |
| Style XM0693 | Material Style 1804321 | Style Description Super Bluefin Winds™ Camp Shirt | Pattern M18M3035 |
| | | Base Size M | Size Scale XS - XXL |
| | | Fit Regular | SMU Type Carry Over |



M18M3035 -

| Component | Quantity | Long Description | Abbreviation | Code |
|-----------|----------|------------------|--------------|------|
|-----------|----------|------------------|--------------|------|

This is confidential and proprietary information of Columbia Sportswear Company. You agree that you will not disclose this information to any third party or use it for any purpose other than on behalf of Columbia. You have no right to use Columbia's name or any of its trademarks, trade names, copyrights, patents, designs or other intellectual property except as set forth in writing by Columbia.

Measurements

| | | | | | | | |
|---|----------------|-----------------------------------|----------|---------------------------------|------------|---------|------------|
| Line Slot: Super Bluefin Winds Camp Shirt | | State: Production | | Season: F25 | | | |
| Merchandise Division: Sportswear | | Merchandise Collection: Exclusive | | Product Class: Woven Tops S/S | | | |
| Designer: blange | | Developer: ccheng | | LO Developer: keerthis | | | |
| Fit Engineer: ccheng | | | | Sourcing Manager: james.burnett | | | |
| Design: | S8MS180432 | Sample LO: | | Production LO: | India | | |
| Style | Material Style | Style Description | Pattern | Base Size | Size Scale | Fit | SMU Type |
| XM0693 | 1804321 | Super Bluefin Winds™ Camp Shirt | M18M3035 | M | XS - XXL | Regular | Carry Over |



| Sort Order | Use | Type | Placemen t | (+/-) | XS | S | M | L | XL | XXL | |
|--|---|------|------------|-------|-----|--------|--------|---------------|--------|--------|--------|
| Grade Rule: CSC Mens Woven Tops - XXS-XXL (M) - NT - Block: null | | | | | | | | | | | |
| 1101.0 | CHEST WIDTH - circumference - 1 inch down from armhole seam | QC | Graded | | 0.0 | 40.0 | 43.0 | 46.0 | 49.0 | 53.0 | 57.0 |
| 1600.0 | SWEEP WIDTH - circumference - at top of vent | QC | Graded | | 0.0 | 40.0 | 43.0 | 46.0 | 49.0 | 53.0 | 57.0 |
| 2002.0 | BACK BODY LENGTH - CB neck to edge of hem | QC | Graded | | 0.0 | 29.0 | 29.5 | 30.0 | 30.5 | 31.0 | 31.5 |
| 2203.0 | SHOULDER WIDTH - Natural Shoulder - seam to seam | QC | Graded | | 0.0 | 17.5 | 18.5 | 19.5 | 20.5 | 21.75 | 23.0 |
| 2402.0 | BACK YOKE HEIGHT - from CB neck seam | | Graded | | 0.0 | 3.625 | 3.75 | 3.875 | 4.0 | 4.125 | 4.25 |
| 2601.0 | SLEEVE LENGTH - Short Sleeve - CB neck to hem edge | QC | Graded | | 0.0 | 18.25 | 18.875 | 19.5 | 20.125 | 20.875 | 21.625 |
| 2722.0 | SLEEVE WIDTH - circumference - 1 inch down from armhole seam | QC | Graded | | 0.0 | 17.875 | 18.625 | 19.375 | 20.125 | 21.125 | 22.125 |
| 3100.0 | SLEEVE OPENING - short sleeve - circumference | QC | Graded | | 0.0 | 14.875 | 15.625 | 16.375 | 17.125 | 18.125 | 19.125 |
| 3460.0 | NECK CIRCUMFERENCE - at center of collar stand - center of button to center of buttonhole | QC | Graded | | 0.0 | 16.0 | 17.0 | 18.0 | 19.0 | 20.0 | 21.0 |
| 3591.0 | CENTER FRONT PLACKET WIDTH | | Graded | | 0.0 | 1.25 | 1.25 | 1.25 | 1.25 | 1.25 | 1.25 |
| 3600.0 | COLLAR LENGTH - at top | QC | Graded | | 0.0 | 16.5 | 17.5 | 18.5 | 19.5 | 20.5 | 21.5 |
| 3650.0 | COLLAR HEIGHT - at CB | QC | Graded | | 0.0 | 1.875 | 1.875 | 1.875 | 1.875 | 1.875 | 1.875 |
| 3653.0 | COLLAR STAND HEIGHT - at CB | | Graded | | 0.0 | 1.25 | 1.25 | 1.25 | 1.25 | 1.25 | 1.25 |
| 3680.0 | COLLAR POINT LENGTH | | Graded | | 0.0 | 2.25 | 2.25 | 2.25 | 2.25 | 2.25 | 2.25 |

Measurements

| | | | | | |
|---|-----------------------------------|---------------------------------|----------------------|---------------------------------|------------|
| Line Slot: Super Bluefin Winds Camp Shirt | | State: Production | | Season: F25 | |
| Merchandise Division: Sportswear | Merchandise Collection: Exclusive | Product Class: Woven Tops S/S | | | |
| Designer: blange | Developer: ccheng | LO Developer: keerthis | | Sourcing Manager: james.burnett | |
| Fit Engineer: ccheng | | | | | |
| Design: | S8MS180432 | Sample LO: | Production LO: India | | |
| Style | Material Style | Style Description | Pattern | Base Size | Size Scale |
| XM0693 | 1804321 | Super Bluefin Winds™ Camp Shirt | M18M3035 | M | XS - XXL |
| | | | | Fit | SMU Type |
| | | | | Regular | Carry Over |



| Sort Order | Use | Type | Placemen t | (+/-) | XS | S | M | L | XL | XXL |
|------------|--------------------------|------|-----------------|-------|------|------|-------------|------|------|------|
| 6501.0 | CHEST POCKET WIDTH | | Varies By Style | 0.125 | 4.25 | 4.5 | 4.75 | 4.75 | 5.0 | 5.0 |
| 6502.0 | CHEST POCKET HEIGHT | | Varies By Style | 0.125 | 5.0 | 5.25 | 5.5 | 5.5 | 5.75 | 5.75 |
| 6950.0 | SIDE SEAM VENT LENGTH | | Varies By Style | 0.125 | 2.0 | 2.0 | 2.0 | 2.0 | 2.0 | 2.0 |
| 930.0 | Drawcord-Cording-Laces 1 | | Compon ent | 0.0 | 1.5 | 1.5 | 1.5 | 1.5 | 1.5 | 1.5 |

This is confidential and proprietary information of Columbia Sportswear Company. You agree that you will not disclose this information to any third party or use it for any purpose other than on behalf of Columbia. You have no right to use Columbia's name or any of its trademarks, trade names, copyrights, patents, designs or other intellectual property except as set forth in writing by Columbia.

Thumbnail

Line Slot: Super Bluefin Winds Camp Shirt

State: Production

Season: F25

Merchandise Division: Sportswear

Merchandise Collection: Exclusive

Product Class: Woven Tops S/S

Designer: blange

Developer: ccheng

LO Developer: keerthis

Sourcing Manager: james.burnett

Fit Engineer: ccheng

Design: S8MS180432

Sample LO:

Production LO: India

Style Material Style

Style Description

Pattern

Base Size

Size Scale

Fit

SMU Type

XM0693

1804321

Super Bluefin
Winds™ Camp
Shirt

M18M3035

M

XS - XXL

Regular

Carry Over



This is confidential and proprietary information of Columbia Sportswear Company. You agree that you will not disclose this information to any third party or use it for any purpose other than on behalf of Columbia. You have no right to use Columbia's name or any of its trademarks, trade names, copyrights, patents, designs or other intellectual property except as set forth in writing by Columbia.

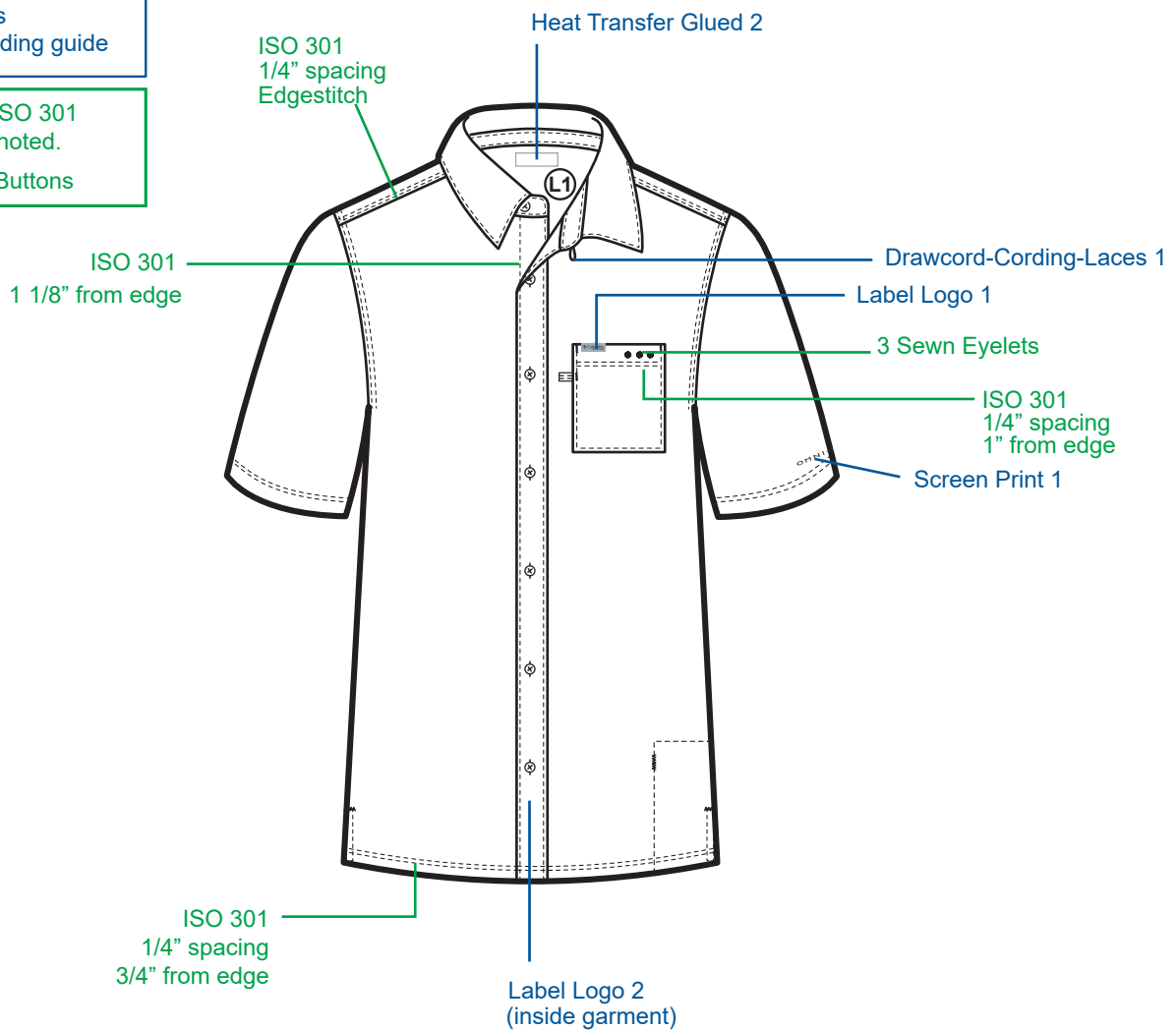
Technical

| | | | | | | | |
|---|-----------------------------------|---|------------------|---------------------------------|---------------------|-------------|---------------------|
| Line Slot: Super Bluefin Winds Camp Shirt | | State: Production | | Season: F25 | | | |
| Merchandise Division: Sportswear | Merchandise Collection: Exclusive | Product Class: Woven Tops S/S | | | | | |
| Designer: blange | Developer: ccheng | LO Developer: keerthis | | Sourcing Manager: james.burnett | | | |
| Fit Engineer: ccheng | | | | | | | |
| Design: S8MS180432 | Sample LO: | Production LO: | India | | | | |
| Style XM0693 | Material Style 1804321 | Style Description Super Bluefin Winds™ Camp Shirt | Pattern M18M3035 | Base Size M | Size Scale XS - XXL | Fit Regular | SMU Type Carry Over |



Last Updated: 07.19.24 BL
*All Shell ① unless Indicated

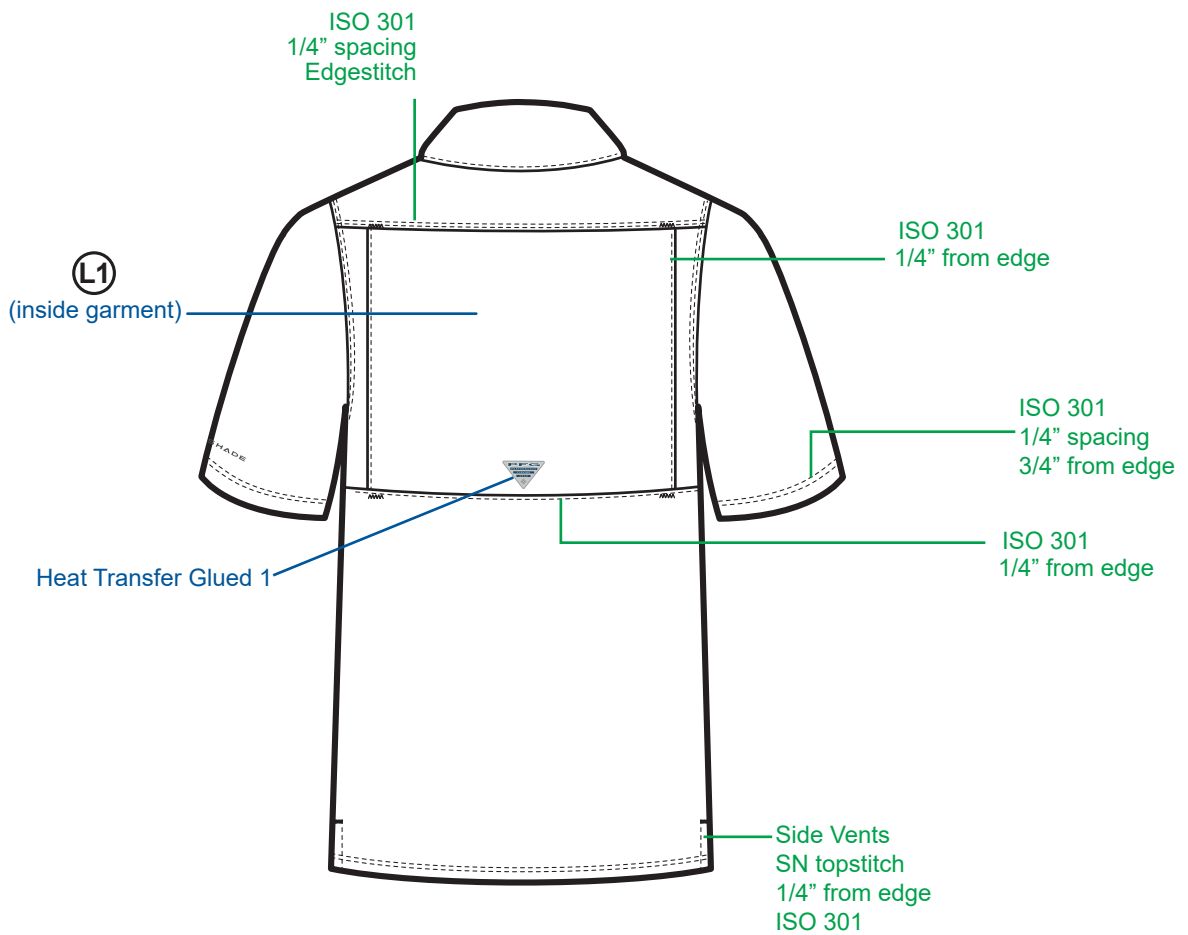
- Interfacing 1: As needed
Button 1: All buttons
Labels: Follow branding guide
- All Topstitching is ISO 301 Edgestitch unless noted.
Use X stitch on all Buttons



Technical

Line Slot: Super Bluefin Winds Camp Shirt State: Production Season: F25
 Merchandise Division: Sportswear Merchandise Collection: Exclusive Product Class: Woven Tops S/S
 Designer: blange Developer: ccheng LO Developer: keerthis Sourcing Manager: james.burnett
 Fit Engineer: ccheng

| | | | | | | | |
|---------|----------------|---------------------------------|----------------|-----------|------------|---------|------------|
| Design: | S8MS180432 | Sample LO: | Production LO: | India | | | |
| Style | Material Style | Style Description | Pattern | Base Size | Size Scale | Fit | SMU Type |
| XM0693 | 1804321 | Super Bluefin Winds™ Camp Shirt | M18M3035 | M | XS - XXL | Regular | Carry Over |



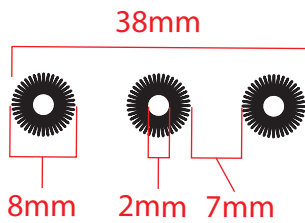
Technical

| | | | | | | | |
|---|-----------------------------------|---|---------------------------------|-------------|---------------------|-------------|---------------------|
| Line Slot: Super Bluefin Winds Camp Shirt | | State: Production | Season: F25 | | | | |
| Merchandise Division: Sportswear | Merchandise Collection: Exclusive | Product Class: Woven Tops S/S | | | | | |
| Designer: blange | Developer: ccheng | LO Developer: keerthis | Sourcing Manager: james.burnett | | | | |
| Fit Engineer: ccheng | | | | | | | |
| Design: S8MS180432 | Sample LO: | Production LO: | India | | | | |
| Style XM0693 | Material Style 1804321 | Style Description Super Bluefin Winds™ Camp Shirt | Pattern M18M3035 | Base Size M | Size Scale XS - XXL | Fit Regular | SMU Type Carry Over |

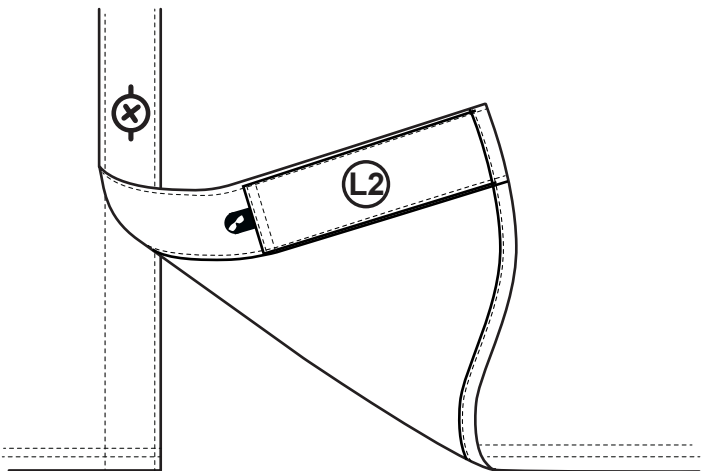


Last Updated: 07.19.24 BL

3 EYELET CONSTRUCTION



SUNGLASS CLEANER PATCH CONSTRUCTION



Technical

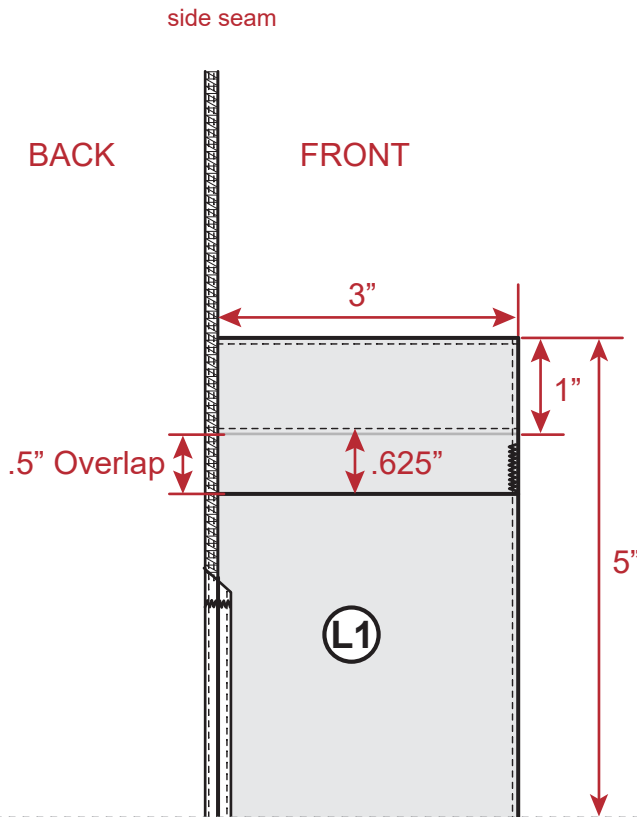
Line Slot: Super Bluefin Winds Camp Shirt State: Production Season: F25
 Merchandise Division: Sportswear Merchandise Collection: Exclusive Product Class: Woven Tops S/S
 Designer: blange Developer: ccheng LO Developer: keerthis Sourcing Manager: james.burnett
 Fit Engineer: ccheng

Design: S8MS180432 Sample LO: Production LO: India

| Style | Material Style | Style Description | Pattern | Base Size | Size Scale | Fit | SMU Type |
|--------|----------------|---------------------------------|----------|-----------|------------|---------|------------|
| XM0693 | 1804321 | Super Bluefin Winds™ Camp Shirt | M18M3035 | M | XS - XXL | Regular | Carry Over |



INTERIOR POCKET WITH VENT Stitched into left side seam and clean finished



*****FOLLOW FRONT AND BACK SKETCH
 FOR HEM SHAPE & FINISH WIDTH *****



This is confidential and proprietary information of Columbia Sportswear Company. You agree that you will not disclose this information to any third party or use it for any purpose other than on behalf of Columbia. You have no right to use Columbia's name or any of its trademarks, trade names, copyrights, patents, designs or other intellectual property except as set forth in writing by Columbia.

Hangtag Package Report

Apparel Style: XM0693

Season: F25

Brand: Columbia

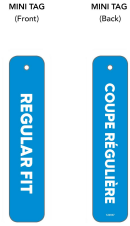
Merchandise Category: Sportswear

Merchandiser: dabaldwin

Line Slot: Super Bluefin Winds Camp Shirt

Sort Order: 0.0 Part: 126967 - Regular Fit Swing Tag
 Instruction: Swing tag to be placed on top of cover tag on same plastic stringer.

| SKU | Color | Name | Effective Date |
|-----------|--------|---------------------------------|----------------|
| OP1490984 | 126967 | OP1490984_126967_MT_Regular Fit | 10-18-23 |



| SKU | Color | Name | Effective Date |
|-----------------------------|--------|------------------------------------|----------------|
| Process Bar / Pieces Blue | 126967 | 126967 | |
| 25" x 13" / 1056mm x 88.9mm | | Apex/Cut Coding Str Cut Strv pouch | |



Sort Order: 1.0 Part: 111006 - PFG Omni-Shade UPF 50, Omni-Wick Hangtag
 Instruction: "(FOR TOPS W/CF BUTTONS)
 HANG TAG TO BE PLACED ON 5" CIRCULAR SWIFT TACK AT 2ND BUTTON HOLE FROM TOP(OMNI-TECH,OMNI-SHADE,OMNI-SHIELD)"

| SKU | Color | Name | Effective Date |
|----------|--------|---|----------------|
| OP732223 | 111006 | OP732223_111006_CT_PFG_OmniShade UPF50_OmniWick | 09-26-22 |



| SKU | Color | Name | Effective Date |
|-----------------------------------|--------|------------------------------------|----------------|
| Process Bar / K | 111006 | 111006 | |
| 2.88" x 6.67" / 72.88mm x 168.9mm | | Apex/Cut Coding Str Cut Strv Pouch | |



Sort Order: 3.0 Part: 123130 - UPC/Pricing with RFID Sticker for Outlet
 Instruction:

| SKU | Color | Name | Effective Date |
|-----|--------|--|----------------|
| 6/A | 123130 | PDM_123130_RFID UPC Sticker with MAP for Outlet_20230323 | 03-13-24 |



Do not remove backing from perforated section



Do not remove backing from perforated section



Do not remove backing from perforated section

| SKU | Color | Name | Effective Date |
|-------------------------------|-------|--|----------------|
| Black | | White Out Hole Sticker Stock | |
| 1.985" x 1.616" / 50mm x 41mm | | Diecut, Adhesive Perforated Strip from bottom trim | |

