

### Related Styles

Line Slot: Ascender II HDD  
 Merchandise Division: Outerwear  
 Designer: dmaguire  
 Fit Engineer: alicehan

State: Production  
 Product Class: Soft Shell Tops  
 LO Developer: keerthis

Season: F25  
 Sourcing Manager: melissa.gallagher



Design:	F4MO209045	Sample LO:		Production LO:	India		
Style	Material Style	Style Description	Pattern	Base Size	Size Scale	Fit	SMU Type
WS5779	2090452	Ascender™ II Hooded Softshell Jacket	L14S2016	2X	1X - 6X	Regular	N/A

Style	Material Style	Style Description	Design	Pattern	Base Size	Size Scale	Sample LO	Production LO
WX5779	2090454	Ascender™ II Hooded Softshell Jacket	F4MO209045	EL14M2016	M	S - XXL		India
WM5779	2090451	Ascender™ II Hooded Softshell Jacket	F4MO209045	L14M2016	M	S - XXL		India
WT5779	2090453	Ascender™ II Hooded Softshell Jacket	F4MO209045	L14T2016	2XT	LT - 4XT		India

This is confidential and proprietary information of Columbia Sportswear Company. You agree that you will not disclose this information to any third party or use it for any purpose other than on behalf of Columbia. You have no right to use Columbia's name or any of its trademarks, trade names, copyrights, patents, designs or other intellectual property except as set forth in writing by Columbia.









## Part Specifications with Approved Suppliers

Line Slot: Ascender II HDD State: Production Season: F25  
 Merchandise Division: Outerwear Merchandise Collection: Trail Product Class: Soft Shell Tops  
 Designer: dmaguire Developer: alicehan LO Developer: keerthis Sourcing Manager: melissa.gallagher  
 Fit Engineer: alicehan

Design: F4MO209045 Sample LO: Production LO: India Vendor Master INDIA Vendor Master INDIA  
 Production LO: Sourcing LO:  
 Style Material Style Style Pattern Base Size Size Scale Fit SMU Type  
 Description  
 WS5779 2090452 Ascender™ II L14S2016 2X 1X - 6X Regular N/A  
 Hooded Softshell Jacket



Number	Description	UM	Fiber Content	Fiber Content Back	Material Coating	Material Finish (Face)	Material Laminate	Trim Specific	Supplier Art No	Country of Origin	Standard Cost (FOB)	Purchase Cost (CIF)	Product on Lead Time with Greige	Product on Lead Time without Greige
Ideal Fastener Global									NUSFOL56 N56B IP16	unassigned	0.2497	0.2428	21	28
003272	CNFC-56 DA8BLH H3 T-B-0 REVERSE Clsd AutoLk LargeHole PI AntSil Sldr/PI NoStop RevCoil Metal content	ea	unassigned	unassigned	unassigned	unassigned	unassigned	Size UM: in Length: 4.0						
YKK Global									CNFC-56 DABLH H3 T-B-0	Taiwan	0.1963	0.0	35	50
Ideal Fastener Global									NSFC 56 N56B IP 16	unassigned	0.1554	0.0	21	28
059200	40mm CSC International Size Extended Woven ECO Loop Label for use with Hanger Loop	ea	100% Recycled Polyester	unassigned	unassigned	unassigned	unassigned	Size UM: mm						
Avery Dennison Global									059200	China	0.05714	0.0	30	30
Dong Young									DY-59200	South Korea	0.06	0.0	25	25
Manohar Filaments									23/11813/2	India	0.0461	0.0	30	30
006564	33mm Care Content ECO Booklet Fold label with fully translated country of origin WHT/BLK for most, BLK/WHT for Titanium only, GRY/BLK is for Garment DYE ONLY- waiting on updated artwork	ea	100% Recycled Polyester	unassigned	unassigned	unassigned	unassigned	Size UM: mm						
Dong Young									DY-006564	South Korea	0.04	0.0	15	15
Finotex El Salvador									006564	El Salvador	0.0	0.0	10	0
Avery Dennison Global									S2088861-8	China	0.016	0.0	30	30
Bao Shen (Apparel)									YL15110003 0 PS7530A5	unassigned	0.016	0.0	7	21
Nexgen Packaging Global									006564	unassigned	0.0221	0.0	21	28
121612	MSRP/UPC with RFID Specs for MSRP. Please refer to VAS specs for any exceptions. MSRP required on all product shipping to the US.	ea	unassigned	unassigned	unassigned	unassigned	unassigned	Size UM: mm						

### Part Specifications with Approved Suppliers

Line Slot: Ascender II HDD State: Production Season: F25  
 Merchandise Division: Outerwear Merchandise Collection: Trail Product Class: Soft Shell Tops  
 Designer: dmaquire Developer: alicehan LO Developer: keerthis Sourcing Manager: melissa.gallagher  
 Fit Engineer: alicehan

Design: F4MO209045 Sample LO: Production LO: India Vendor Master INDIA Vendor Master INDIA  
 Production LO: Sourcing LO:  
 Style Material Style Style Pattern Base Size Size Scale Fit SMU Type  
 Description  
 WS5779 2090452 Ascender™ II L14S2016 2X 1X - 6X Regular N/A  
 Hooded Softshell Jacket



Number	Description	UM	Fiber Content	Fiber Content Back	Material Coating	Material Finish (Face)	Material Laminate	Trim Specific	Supplier Art No	Country of Origin	Standard Cost (FOB)	Purchase Cost (CIF)	Product on Lead Time with Greige	Product on Lead Time without Greige
Bao Shen (Apparel)									n/a	unassigned	0.049	0.0	7	0
Avery Dennison Global									n/a	unassigned	0.04875	0.0	14	0
097038	Columbia Omni-Shield Hangtag	ea	unassigned	unassigned	unassigned	unassigned	unassigned	Size UM: cm						
Hang Sang Press Co. Ltd									n/a	unassigned	0.0273	0.0	0	0
126967	Regular Fit Swing Tag	ea	unassigned	unassigned	unassigned	unassigned	unassigned	Size UM: in						
Hang Sang Press Co. Ltd									n/a	unassigned	0.023	0.0	0	0
Finotex El Salvador									n/a	unassigned	0.016	0.0	21	28
064194	Outer Carton for costing purpose only	ea	unassigned	unassigned	unassigned	unassigned	unassigned	Size UM: mm						
Contractor									064194	unassigned	0.0	0.0	0	0
980001	Polybag See Standard CCS 4200 for specifications	ea	unassigned	unassigned	unassigned	unassigned	unassigned	Size UM: mm						
Contractor									980001	unassigned	0.0	0.0	0	0
980010	UPC Bag Sticker Generic (MHW/Columbia) See CCS4400/ 4401 and MHW4402 for Mt Hardware for instructions	ea	unassigned	unassigned	unassigned	unassigned	unassigned	Size UM: mm						
Hang Sang Press Co. Ltd									980010	Hong Kong	0.016	0.0	14	14
Avery Dennison Global									980010	China	0.01089	0.0	30	30
FGV Sourced									980010	unassigned	0.0	0.0	0	0
Bao Shen (Apparel)									980010	unassigned	0.011	0.0	7	21
Nexgen Packaging Global									980010	unassigned	0.011	0.0	21	28

This is confidential and proprietary information of Columbia Sportswear Company. You agree that you will not disclose this information to any third party or use it for any purpose other than on behalf of Columbia. You have no right to use Columbia's name or any of its trademarks, trade names, copyrights, patents, designs or other intellectual property except as set forth in writing by Columbia.

**Color BOM**

Line Slot: Ascender II HDD State: Production Season: F25  
 Merchandise Division: Outerwear Merchandise Collection: Trail Product Class: Soft Shell Tops  
 Designer: dmaguire Developer: alicehan LO Developer: keerthis Sourcing Manager: melissa.gallagher  
 Fit Engineer: alicehan  
 Design: F4MO209045 Sample LO: Production LO: India  
 Style Material Style Style Description Pattern Base Size Size Scale Fit SMU Type  
 WS5779 2090452 Ascender™ II L14S2016 2X 1X - 6X Regular N/A  
 Hooded Softshell Jacket



Component	Details	Placement	Usage	Width	Marker Width	010-Black	023-City Grey	256-Tobacco	397-Stone Green	464-Collegiate Navy
<b>SAP Material Code</b>						209045101 0	209045402 3	209045125 6	209045439 7	209045146 4
						209045201 0	209045102 3	209045325 6	209045339 7	209045346 4
						209045401 0	209045302 3	209045225 6	209045139 7	209045246 4
						209045301 0	209045202 3	209045425 6	209045239 7	209045446 4
<b>SMU Accounts</b>						N/A	N/A	N/A	N/A	N/A
Shell 1	121277 PFC FREE Version of 032888 - Nexgen Contour Softshell Composite 100% Polyester 100% Polyester 156X132 75 X75 Durable Water Repellent (80/10HL) C0 PFOA/PFOS Free MaterialCoatingNone Adhesive - Dot Matrix 310.0 g/m2 Piece Dye/Jet and Jig NA		1.58 yd	55.0	0	Black, Black	City Grey, City Grey	Tobacco, Tobacco	Stone Green, Stone Green	Collegiate Navy, Collegiate Navy
Shell 2	119358 PFC Free Version of 064235 Nexgen Precision and Contour Softshell Face Only Twill 100% Polyester 160 X 136 75D/72F X 75D/72F MaterialFinishNone, Durable Water Repellent (80/10HL) C0 PFOA/PFOS Free MaterialCoatingNone MaterialLaminateNone 119.0 g/m2 Piece Dye/Jet NA		0.2 yd	58.0	0	Black	City Grey	Tobacco	Stone Green	Collegiate Navy



**Color BOM**

Line Slot: Ascender II HDD      State: Production      Season: F25  
 Merchandise Division: Outerwear      Merchandise Collection: Trail      Product Class: Soft Shell Tops  
 Designer: dmaguire      Developer: alicehan      LO Developer: keerthis      Sourcing Manager: melissa.gallagher  
 Fit Engineer: alicehan

Design: F4MO209045      Sample LO:      Production LO: India  
 Style Material Style      Style Description      Pattern      Base Size      Size Scale      Fit      SMU Type  
 WS5779      2090452      Ascender™ II Hooded Softshell Jacket      L14S2016      2X      1X - 6X      Regular      N/A



Component	Details	Placement	Usage	Width	Marker Width	010-Black	023-City Grey	256-Tobacco	397-Stone Green	464-Collegiate Navy
<b>SAP Material Code</b>						2090451010	2090454023	2090451256	2090454397	2090451464
						2090452010	2090451023	2090453256	2090453397	2090453464
						2090454010	2090453023	2090452256	2090451397	2090452464
						2090453010	2090452023	2090454256	2090452397	2090454464
Lining 1	004476 FOR POCKETING AND YOUTH STYLES ONLY Chamois Touch Tricot Tricot 100% Polyester 28 Anti-pill (face), Brushed (Tech Face) 80.0 g/m2 Piece Dye/Jet NA		0.23 yd	60.0	0	Black	Shark	Tobacco	Black	Collegiate Navy
Interfacing 1	011958 Interlining Sew-In Non-Woven Lightweight Soft. Recycled version 110671 Interlining 80% Polyester, 20% Viscose 29.0 g/m2		0.11 yd	60.0	0	White	White	White	White	White
Bead 1	011001 3mm (fits single dc size 3mm) Small Hard TPU Cordlock Stopper 1 clr CANNOT BE DONE IN CLEAR COLOR White color may have a yellowing issue		1 ea	0.0	0	Black	Grill	Black	Black	Collegiate Navy
Direct Embroidery 1	003472 76mm (A) Bug Columbia Logo embroidery 1 clr. Est st ct 1795 Height: 14.0		1 ea	0.0	0	Columbia Grey	Columbia Grey	Columbia Grey	Black	Columbia Grey
Drawcord-Cording-Laces 1	005952 2mm Stretch Strong Drawcord 1 clr		1.306 yd	0.0	0	Black	City Grey	Tobacco	Stone Green	Collegiate Navy
Drawcord-Cording-Laces 2	008166 1.5mm non stretch drawcord w/ticks 2 clr (ECO version use 082935)		0.778 yd	0.0	0	Black, Grill	Grill, Columbia Grey	Black, Grill	Black, Grill	Collegiate Navy, Columbia Grey

**Color BOM**

Line Slot: Ascender II HDD State: Production Season: F25  
 Merchandise Division: Outerwear Merchandise Collection: Trail Product Class: Soft Shell Tops  
 Designer: dmaguire Developer: alicehan LO Developer: keerthis Sourcing Manager: melissa.gallagher  
 Fit Engineer: alicehan



Design: F4MO209045 Sample LO: Production LO: India  
 Style Material Style Style Description Pattern Base Size Size Scale Fit SMU Type  
 WS5779 2090452 Ascender™ II Hooded Softshell Jacket L14S2016 2X 1X - 6X Regular N/A

Component	Details	Placement	Usage	Width	Marker Width	010-Black	023-City Grey	256-Tobacco	397-Stone Green	464-Collegiate Navy
<b>SAP Material Code</b>						2090451010	2090454023	2090451256	2090454397	2090451464
						2090452010	2090451023	2090453256	2090453397	2090453464
						2090454010	2090453023	2090452256	2090451397	2090452464
						2090453010	2090452023	2090454256	2090452397	2090454464
Eyelets-Grommets 1	026906 SAME AS 420024 6mm ID Metal Finish Eyelet 1 clr finish. Use 059588 for enamel DTM color.		1 set	0.0	0	Black Nickel Finish	Black Nickel Finish	Black Nickel Finish	Black Nickel Finish	Black Nickel Finish
Hook 1	460003 3/4in (20mm) Linear Hook/ two side edge 1clr Width: 19.0		0.111 yd	0.0	0	Black	City Grey	Tobacco	Stone Green	Collegiate Navy
Hook 2	460003 3/4in (20mm) Linear Hook/ two side edge 1clr Width: 19.0		0.056 yd	0.0	0	Black	City Grey	Tobacco	Stone Green	Collegiate Navy
Label Logo 1	059197 USE ONLY FOR ALL ADULT sizes AND YOUTH S-XL 42mm x 8mm Lightweight Stripe woven ECO Hanger Loop DOWN 2 clr other colors w Director approval only		1 ea	0.0	0	Columbia Grey, Grill	Columbia Grey, Grill	Columbia Grey, Grill	Columbia Grey, Grill	Columbia Grey, Grill
Loop 1	460004 3/4in (20mm) Linear Loop/two side edge 1clr Width: 19.0		0.25 yd	0.0	0	Black	City Grey	Tobacco	Stone Green	Collegiate Navy
Loop 2	460004 3/4in (20mm) Linear Loop/two side edge 1clr Width: 19.0		0.097 yd	0.0	0	Black	City Grey	Tobacco	Stone Green	Collegiate Navy
Thread 1	110529 Coats Astra EV spun Polyester Tex 30	10/09/2020: updated per LOM (BM) from 060282 Coats Epic Tex 30 thread. Agreed due to this is not a seal sealed style.	75 meter	0.0	0	DTM	DTM	DTM	DTM	DTM
Thread 2	008214 Coats ASTRA Spun Polyester Tex 27 40/2		575 meter	0.0	0	DTM	DTM	DTM	DTM	DTM
Toggle 1	031940 4.5mm ID Toggle		1 ea	0.0	0	Black	Grill	Black	Black	Collegiate Navy

**Color BOM**

Line Slot: Ascender II HDD State: Production Season: F25  
 Merchandise Division: Outerwear Merchandise Collection: Trail Product Class: Soft Shell Tops  
 Designer: dmaguire Developer: alicehan LO Developer: keerthis Sourcing Manager: melissa.gallagher  
 Fit Engineer: alicehan  
 Design: F4MO209045 Sample LO: Production LO: India  
 Style Material Style Style Description Pattern Base Size Size Scale Fit SMU Type  
 WS5779 2090452 Ascender™ II L14S2016 2X 1X - 6X Regular N/A  
 Hooded Softshell Jacket



Component	Details	Placement	Usage	Width	Marker Width	010-Black	023-City Grey	256-Tobacco	397-Stone Green	464-Collegiate Navy
<b>SAP Material Code</b>						209045101 0	209045402 3	209045125 6	209045439 7	209045146 4
						209045201 0	209045102 3	209045325 6	209045339 7	209045346 4
						209045401 0	209045302 3	209045225 6	209045139 7	209045246 4
						209045301 0	209045202 3	209045425 6	209045239 7	209045446 4
Washer 1	002614 Plastic Washer (Polyurethane) (use on all Snap Stud and Post or Eyelets if needed) Clear CAN BE USED FOR YOUTH		1 ea	0.0	0	Clear	Clear	Clear	Clear	Clear
Webbing and Tape 1	360027 3/8 in Grosgrain Tape Poly 1 clr Width: 9.5		0.125 yd	0.0	0	Black	Grill	Black	Black	Collegiate Navy
Zipper 1	002673 CNFOL-56 DA8BLH H3 P-TOP REVERSE OpenEnd Left-in AutoLk LargeHole AntSilver Sldr/PI PlasticTopStop RevCoil CAN BE USED FOR CHILDREN Metal content Length: 8.0		1 ea	0.0	0	Black	City Grey	Tobacco	Stone Green	Collegiate Navy
Zipper 2	003272 CNFC-56 DA8BLH H3 T-B-0 REVERSE Clsd AutoLk LargeHole PI AntSil Sldr/PI NoStop RevCoil Metal content Length: 4.0		2 ea	0.0	0	Black	City Grey	Tobacco	Stone Green	Collegiate Navy
Zipper 3	003272 CNFC-56 DA8BLH H3 T-B-0 REVERSE Clsd AutoLk LargeHole PI AntSil Sldr/PI NoStop RevCoil Metal content Length: 4.0		1 ea	0.0	0	Black	City Grey	Tobacco	Stone Green	Collegiate Navy
Label 1	059200 40mm CSC International Size Extended Woven ECO Loop Label for use with Hanger Loop		1 ea	0.0	0	White, Columbia Grey, Compass Blue	White, Columbia Grey, Compass Blue	White, Columbia Grey, Compass Blue	White, Columbia Grey, Compass Blue	White, Columbia Grey, Compass Blue

### Color BOM

Line Slot: Ascender II HDD		State: Production		Season: F25			
Merchandise Division: Outerwear	Merchandise Collection: Trail	Product Class: Soft Shell Tops		Sourcing Manager: melissa.gallagher			
Designer: dmaguire	Developer: alicehan	LO Developer: keerthis					
Fit Engineer: alicehan							
Design: F4MO209045	Sample LO:	Production LO: India					
Style: WS5779	Material Style: 2090452	Style Description: Ascender™ II Hooded Softshell Jacket	Pattern: L14S2016	Base Size: 2X	Size Scale: 1X - 6X	Fit: Regular	SMU Type: N/A



Component	Details	Placement	Usage	Width	Marker Width	010-Black	023-City Grey	256-Tobacco	397-Stone Green	464-Collegiate Navy
<b>SAP Material Code</b>						2090451010	2090454023	2090451256	2090454397	2090451464
						2090452010	2090451023	2090453256	2090453397	2090453464
						2090454010	2090453023	2090452256	2090451397	2090452464
						2090453010	2090452023	2090454256	2090452397	2090454464
Label 2	006564 33mm Care Content ECO Booklet Fold label with fully translated country of origin WHT/BLK for most, BLK/WHT for Titanium only, GRY/BLK is for Garment DYE ONLY- waiting on updated artwork		1 ea	0.0	0	White, Black	White, Black	White, Black	White, Black	White, Black
Hangtag Package Part	121612 MSRP/UPC with RFID Specs for MSRP. Please refer to VAS specs for any exceptions. MSRP required on all product shipping to the US.		1 ea	0.0	0	Artwork	Artwork	Artwork	Artwork	Artwork
Hangtag Package Part	097038 Columbia Omni-Shield Hangtag		1 ea	0.0	0	Artwork	Artwork	Artwork	Artwork	Artwork
Hangtag Package Part	126967 Regular Fit Swing Tag		1 ea	0.0	0	Artwork	Artwork	Artwork	Artwork	Artwork
Packaging 1	064194 Outer Carton for costing purpose only		1 ea	0.0	0	Stock	Stock	Stock	Stock	Stock
Packaging 2	980001 Polybag See Standard CCS 4200 for specifications		1 ea	0.0	0	Stock	Stock	Stock	Stock	Stock
Packaging 3	980010 UPC Bag Sticker Generic (MHW/Columbia) See CCS4400/ 4401 and MHW4402 for Mt Hardware for instructions		1 ea	0.0	0	Artwork	Artwork	Artwork	Artwork	Artwork

This is confidential and proprietary information of Columbia Sportswear Company. You agree that you will not disclose this information to any third party or use it for any purpose other than on behalf of Columbia. You have no right to use Columbia's name or any of its trademarks, trade names, copyrights, patents, designs or other intellectual property except as set forth in writing by Columbia.

### Colorless BOM

Line Slot: Ascender II HDD      State: Production      Season: F25  
 Merchandise Division: Outerwear      Merchandise Collection: Trail      Product Class: Soft Shell Tops  
 Designer: dmaquire      Developer: alicehan      LO Developer: keerthis      Sourcing Manager: melissa.gallagher  
 Fit Engineer: alicehan  
 Design: F4MO20904      Sample LO: 5      Production LO: India  
 Style Material Style      Style Description      Pattern      Base Size      Size Scale      Fit      SMU Type  
 WS5779      2090452      Ascender™ II Hooded Softshell Jacket      L14S2016      2X      1X - 6X      Regular      N/A



Component	Details	Placement	Usage	Width	Marker Width
<b>SAP Material Code</b>					
Shell 1	121277 PFC FREE Version of 032888 - Nexgen Contour Softshell Composite 100% Polyester 100% Polyester 156X132 75 X75 Durable Water Repellent (80/10HL) C0 PFOA/PFOS Free MaterialCoatingNone Adhesive - Dot Matrix 310.0 g/m2 Piece Dye/Jet and Jig NA		1.58 yd	55.0	0
Shell 2	119358 PFC Free Version of 064235 Nexgen Precision and Contour Softshell Face Only Twill 100% Polyester 160 X 136 75D/72F X 75D/72F MaterialFinishNone, Durable Water Repellent (80/10HL) C0 PFOA/PFOS Free MaterialCoatingNone MaterialLaminateNone 119.0 g/m2 Piece Dye/Jet NA		0.2 yd	58.0	0
Lining 1	004476 FOR POCKETING AND YOUTH STYLES ONLY Chamois Touch Tricot Tricot 100% Polyester 28 Anti-pill (face), Brushed (Tech Face) 80.0 g/m2 Piece Dye/Jet NA		0.23 yd	60.0	0
Interfacing 1	011958 Interlining Sew-In Non-Woven Lightweight Soft. Recycled version 110671 Interlining 80% Polyester, 20% Viscose 29.0 g/m2		0.11 yd	60.0	0
Bead 1	011001 3mm (fits single dc size 3mm) Small Hard TPU Cordlock Stopper 1 clr. CANNOT BE DONE IN CLEAR COLOR White color may have a yellowing issue		1 ea	0.0	0
Direct Embroidery 1	003472 76mm (A) Bug Columbia Logo embroidery 1 clr. Est st ct 1795 Height: 14.0		1 ea	0.0	0
Drawcord-Cording-Laces 1	005952 2mm Stretch Strong Drawcord 1 clr		1.306 yd	0.0	0
Drawcord-Cording-Laces 2	008166 1.5mm non stretch drawcord w/ticks 2 clr (ECO version use 082935)		0.778 yd	0.0	0
Eyelets-Grommets 1	026906 SAME AS 420024 6mm ID Metal Finish Eyelet 1 clr finish. Use 059588 for enamel DTM color.		1 set	0.0	0

## Colorless BOM

Line Slot: Ascender II HDD		State: Production		Season: F25			
Merchandise Division: Outerwear	Merchandise Collection: Trail	Product Class: Soft Shell Tops					
Designer: dmaquire	Developer: alicehan	LO Developer: keerthis	Sourcing Manager: melissa.gallagher				
Fit Engineer: alicehan							
Design:	F4MO20904 5	Sample LO:	Production LO:	India			
Style	Material Style	Style Description	Pattern	Base Size	Size Scale	Fit	SMU Type
WS5779	2090452	Ascender™ II Hooded Softshell Jacket	L14S2016	2X	1X - 6X	Regular	N/A



Component	Details	Placement	Usage	Width	Marker Width
<b>SAP Material Code</b>					
Hook 1	460003 3/4in (20mm) Linear Hook/ two side edge 1clr Width: 19.0		0.111 yd	0.0	0
Hook 2	460003 3/4in (20mm) Linear Hook/ two side edge 1clr Width: 19.0		0.056 yd	0.0	0
Label Logo 1	059197 USE ONLY FOR ALL ADULT sizes AND YOUTH S-XL 42mm x 8mm Lightweight Stripe woven ECO Hanger Loop DOWN 2 clr other colors w Director approval only		1 ea	0.0	0
Loop 1	460004 3/4in (20mm) Linear Loop/two side edge 1clr Width: 19.0		0.25 yd	0.0	0
Loop 2	460004 3/4in (20mm) Linear Loop/two side edge 1clr Width: 19.0		0.097 yd	0.0	0
Thread 1	110529 Coats Astra EV spun Polyester Tex 30	10/09/2020: updated per LOM (BM) from 060282 Coats Epic Tex 30 thread. Agreed due to this is not a seal sealed style.	75 meter	0.0	0
Thread 2	008214 Coats ASTRA Spun Polyester Tex 27 40/2		575 meter	0.0	0
Toggle 1	031940 4.5mm ID Toggle		1 ea	0.0	0
Washer 1	002614 Plastic Washer (Polyurethane) (use on all Snap Stud and Post or Eyelets if needed) Clear CAN BE USED FOR YOUTH		1 ea	0.0	0
Webbing and Tape 1	360027 3/8 in Grosgrain Tape Poly 1 clr Width: 9.5		0.125 yd	0.0	0
Zipper 1	002673 CNFOL-56 DA8BLH H3 P-TOP REVERSE OpenEnd Left-in AutoLk LargeHole AntSilver Sldr/PI PlasticTopStop RevCoil CAN BE USED FOR CHILDREN Metal content Length: 8.0		1 ea	0.0	0
Zipper 2	003272 CNFC-56 DA8BLH H3 T-B-0 REVERSE Clsd AutoLk LargeHole PI AntSil Sldr/PI NoStop RevCoil Metal content Length: 4.0		2 ea	0.0	0
Zipper 3	003272 CNFC-56 DA8BLH H3 T-B-0 REVERSE Clsd AutoLk LargeHole PI AntSil Sldr/PI NoStop RevCoil Metal content Length: 4.0		1 ea	0.0	0
Label 1	059200 40mm CSC International Size Extended Woven ECO Loop Label for use with Hanger Loop		1 ea	0.0	0
Label 2	006564 33mm Care Content ECO Booklet Fold label with fully translated country of origin WHT/BLK for most, BLK/WHT for Titanium only, GRY/BLK is for Garment DYE ONLY- waiting on updated artwork		1 ea	0.0	0

### Colorless BOM

Line Slot: Ascender II HDD      State: Production      Season: F25  
 Merchandise Division: Outerwear      Merchandise Collection: Trail      Product Class: Soft Shell Tops  
 Designer: dmaquire      Developer: alicehan      LO Developer: keerthis      Sourcing Manager: melissa.gallagher  
 Fit Engineer: alicehan  
 Design: F4MO20904      Sample LO: 5      Production LO: India  
 Style Material Style      Style Description      Pattern      Base Size      Size Scale      Fit      SMU Type  
 WS5779      2090452      Ascender™ II Hooded Softshell Jacket      L14S2016      2X      1X - 6X      Regular      N/A



Component	Details	Placement	Usage	Width	Marker Width
<b>SAP Material Code</b>					
Hangtag Package Part	121612 MSRP/UPC with RFID Specs for MSRP. Please refer to VAS specs for any exceptions. MSRP required on all product shipping to the US.		1 ea	0.0	0
Hangtag Package Part	097038 Columbia Omni-Shield Hangtag		1 ea	0.0	0
Hangtag Package Part	126967 Regular Fit Swing Tag		1 ea	0.0	0
Packaging 1	064194 Outer Carton for costing purpose only		1 ea	0.0	0
Packaging 2	980001 Polybag See Standard CCS 4200 for specifications		1 ea	0.0	0
Packaging 3	980010 UPC Bag Sticker Generic (MHW/Columbia) See CCS4400/ 4401 and MHW4402 for Mt Hardwear for instructions		1 ea	0.0	0

This is confidential and proprietary information of Columbia Sportswear Company. You agree that you will not disclose this information to any third party or use it for any purpose other than on behalf of Columbia. You have no right to use Columbia's name or any of its trademarks, trade names, copyrights, patents, designs or other intellectual property except as set forth in writing by Columbia.

## Color Specification

Line Slot: Ascender II HDD	State: Production	Season: F25
Merchandise Division: Outerwear	Merchandise Collection: Trail	Product Class: Soft Shell Tops
Designer: dmaquire	Developer: alicehan	LO Developer: keerthis
Fit Engineer: alicehan		Sourcing Manager: melissa.gallagher



Design: F4MO209045	Sample LO:	Production LO: India	
Style Material Style	Style Description	Pattern	Base Size
WS5779	2090452	Ascender™ II Hooded Softshell Jacket	L14S2016
			2X
			1X - 6X
			Regular
			SMU Type
			N/A

Component - Material	010-Black	023-City Grey	256-Tobacco	397-Stone Green	464-Collegiate Navy
Shell 1 - 121277	Black, Black	City Grey, City Grey	Tobacco, Tobacco	Stone Green, Stone Green	Collegiate Navy, Collegiate Navy
Shell 2 - 119358	Black	City Grey	Tobacco	Stone Green	Collegiate Navy
Drawcord-Cording-Laces 1 - 005952					
Hook 1 - 460003					
Hook 2 - 460003					
Loop 1 - 460004					
Loop 2 - 460004					
Zipper 1 - 002673					
Zipper 2 - 003272					
Zipper 3 - 003272					
Lining 1 - 004476	Black	Shark	Tobacco	Black	Collegiate Navy
Interfacing 1 - 011958	White	White	White	White	White
Bead 1 - 011001	Black	Grill	Black	Black	Collegiate Navy
Toggle 1 - 031940					
Webbing and Tape 1 - 360027					
Direct Embroidery 1 - 003472	Columbia Grey	Columbia Grey	Columbia Grey	Black	Columbia Grey
Drawcord-Cording-Laces 2 - 008166	Black, Grill	Grill, Columbia Grey	Black, Grill	Black, Grill	Collegiate Navy, Columbia Grey
Eyelets-Grommets 1 - 026906	Black Nickel Finish	Black Nickel Finish	Black Nickel Finish	Black Nickel Finish	Black Nickel Finish
Label Logo 1 - 059197	Columbia Grey, Grill	Columbia Grey, Grill	Columbia Grey, Grill	Columbia Grey, Grill	Columbia Grey, Grill
Thread 1 - 110529	DTM	DTM	DTM	DTM	DTM
Thread 2 - 008214					
Washer 1 - 002614	Clear	Clear	Clear	Clear	Clear
Label 1 - 059200	White, Columbia Grey, Compass Blue	White, Columbia Grey, Compass Blue	White, Columbia Grey, Compass Blue	White, Columbia Grey, Compass Blue	White, Columbia Grey, Compass Blue
Label 2 - 006564	White, Black	White, Black	White, Black	White, Black	White, Black
Hangtag Package Part - 121612	Artwork	Artwork	Artwork	Artwork	Artwork
Hangtag Package Part - 097038					
Hangtag Package Part - 126967					
Packaging 3 - 980010					
Packaging 1 - 064194	Stock	Stock	Stock	Stock	Stock
Packaging 2 - 980001					

This is confidential and proprietary information of Columbia Sportswear Company. You agree that you will not disclose this information to any third party or use it for any purpose other than on behalf of Columbia. You have no right to use Columbia's name or any of its trademarks, trade names, copyrights, patents, designs or other intellectual property except as set forth in writing by Columbia.



### Costing BOM

Line Slot: Ascender II HDD      State: Production      Season: F25  
 Merchandise Division: Outerwear      Merchandise Collection: Trail      Product Class: Soft Shell Tops  
 Designer: dmaguire      Developer: alicehan      LO Developer: keerthis      Sourcing Manager: melissa.gallagher  
 Fit Engineer: alicehan

Design: F4MO209045      Sample LO:      Production LO: India  
 Style Material Style      Style Description      Pattern      Base Size      Size Scale      Fit      SMU Type  
 WS5779      2090452      Ascender™ II Hooded Softshell Jacket      L14S2016      2X      1X - 6X      Regular      N/A



Colorway Number	Color Way	FOB Material	CIF Material	FOB Trim	CIF Trim	Allowance %	Total FOB	Total CIF
010	Black	7.712	0.000	1.868	0.000	0.0	9.580	0.000
023	City Grey	7.712	0.000	1.868	0.000	0.0	9.580	0.000
256	Tobacco	7.712	0.000	1.868	0.000	0.0	9.580	0.000
397	Stone Green	7.712	0.000	1.868	0.000	0.0	9.580	0.000
464	Collegiate Navy	7.712	0.000	1.868	0.000	0.0	9.580	0.000

### Costing BOM

Line Slot: Ascender II HDD      State: Production      Season: F25  
 Merchandise Division: Outerwear      Merchandise Collection: Trail      Product Class: Soft Shell Tops  
 Designer: dmaguire      Developer: alicehan      LO Developer: keerthis      Sourcing Manager: melissa.gallagher  
 Fit Engineer: alicehan

Design: F4MO209045      Sample LO:      Production LO: India  
 Style Material Style Style Description Pattern Base Size Size Scale Fit SMU Type  
 WS5779 2090452 Ascender™ II L14S2016 2X 1X - 6X Regular N/A  
 Hooded Softshell Jacket



Component	Material	Description	Fabric Width	Supplier	Locked	Country of Origin	Managin g Liaison Office	UoM	Target Cost	FOB Unit Cost	CIF Unit Cost	Usage	Wastage %	Total FOB	Total CIF
Shell 1	121277	PFC FREE Version of 032888 - Nexgen Contour Softshell	55.0	Jiaxing Deyong Textiles Co Ltd (JDT)	N	China	Taiwan- Taipei	yd	4.5	4.37	0.0	1.580	3	7.112	0.000
Shell 2	119358	PFC Free Version of 064235 Nexgen Precision and Contour Softshell Face Only	58.0	Apex Textile Co. Ltd.	N	China	Taiwan- Taipei	yd	0.0	1.94	0.0	0.200	5	0.407	0.000
Lining 1	004476	FOR POCKETING AND YOUTH STYLES ONLY Chamois Touch Tricot	60.0	Haren Textiles Pvt. Ltd.	Y	India	India	yd	0.0	0.68	0.0	0.230	7	0.167	0.000

### Costing BOM

Line Slot: Ascender II HDD		State: Production		Season: F25			
Merchandise Division: Outerwear	Merchandise Collection: Trail	Product Class: Soft Shell Tops					
Designer: dmaguire	Developer: alicehan	LO Developer: keerthis		Sourcing Manager: melissa.gallagher			
Fit Engineer: alicehan							
Design: F4MO209045	Sample LO:	Production LO: India					
Style WS5779	Material Style 2090452	Style Description Ascender™ II Hooded Softshell Jacket	Pattern L14S2016	Base Size 2X	Size Scale 1X - 6X	Fit Regular	SMU Type N/A



Component	Material	Description	Fabric Width	Supplier	Locked	Country of Origin	Managin g Liaison Office	UoM	Target Cost	FOB Unit Cost	CIF Unit Cost	Usage	Wastage %	Total FOB	Total CIF
Interfacing 1	011958	Interlining Sew-In Non-Woven Lightweight Soft. Recycled version 110671	60.0	PCC asia LLC	N	China	India	yd	0.0	0.23	0.0	0.110	3	0.026	0.000
Bead 1	011001	3mm (fits single dc size 3mm) Small Hard TPU Cordlock Stopper 1 clr CANNOT BE DONE IN CLEAR COLOR White color may have a yellowing issue	0.0	FGV - Shahi Exports Pvt. (SEP) Ltd.	Y	India	India	ea	0.0	0.027	0.0	1.000	2.0	0.028	0.000
Direct Embroidery 1	003472	76mm (A) Bug Columbia Logo embroidery 1 clr. Est st ct 1795	0.0	Contractor	N	unassigned	Hong Kong	ea	0.0	0.0	0.0	1.000	2.0	0.000	0.000

### Costing BOM

Line Slot: Ascender II HDD		State: Production		Season: F25			
Merchandise Division: Outerwear	Merchandise Collection: Trail	Product Class: Soft Shell Tops		Sourcing Manager: melissa.gallagher			
Designer: dmaguire	Developer: alicehan	LO Developer: keerthis					
Fit Engineer: alicehan							
Design: F4MO209045	Sample LO:	Production LO: India					
Style WS5779	Material Style 2090452	Style Description Ascender™ II Hooded Softshell Jacket	Pattern L14S2016	Base Size 2X	Size Scale 1X - 6X	Fit Regular	SMU Type N/A



Component	Material	Description	Fabric Width	Supplier	Locked	Country of Origin	Managing Liaison Office	UoM	Target Cost	FOB Unit Cost	CIF Unit Cost	Usage	Wastage %	Total FOB	Total CIF
Drawcord-Cording-Laces 1	005952	2mm Stretch Strong Drawcord 1 clr	0.0	FGV - Shahi Exports Pvt. (SEP) Ltd.	Y	India	India	yd	0.0	0.061	0.0	1.306	7.0	0.085	0.000
Drawcord-Cording-Laces 2	008166	1.5mm non stretch drawcord w/ticks 2 clr (ECO version use 082935)	0.0	FGV - Shahi Exports Pvt. (SEP) Ltd.	Y	India	India	yd	0.0	0.045	0.0	0.778	7.0	0.037	0.000
Eyelets-Grommets 1	026906	SAME AS 420024 6mm ID Metal Finish Eyelet 1 clr finish. Use 059588 for enamel DTM color.	0.0	Unitex International Button Accessories Ltd	N	China	Portland	set	0.01	0.0129	0.0	1.000	3.0	0.013	0.000

### Costing BOM

Line Slot: Ascender II HDD      State: Production      Season: F25  
 Merchandise Division: Outerwear      Merchandise Collection: Trail      Product Class: Soft Shell Tops  
 Designer: dmaguire      Developer: alicehan      LO Developer: keerthis      Sourcing Manager: melissa.gallagher  
 Fit Engineer: alicehan

Design: F4MO209045      Sample LO:      Production LO: India  
 Style Material Style Style Description Pattern Base Size Size Scale Fit SMU Type  
 WS5779 2090452 Ascender™ II L14S2016 2X 1X - 6X Regular N/A  
 Hooded Softshell Jacket



Component	Material	Description	Fabric Width	Supplier	Locked	Country of Origin	Managing Liaison Office	UoM	Target Cost	FOB Unit Cost	CIF Unit Cost	Usage	Wastage %	Total FOB	Total CIF
Hook 1	460003	3/4in (20mm) Linear Hook/ two side edge 1clr	0.0	Paiho Global	N	Taiwan	Taiwan-Taipei	yd	0.0	0.153	0.0	0.111	5.0	0.018	0.000
Hook 2	460003	3/4in (20mm) Linear Hook/ two side edge 1clr	0.0	Paiho Global	N	Taiwan	Taiwan-Taipei	yd	0.0	0.153	0.0	0.056	5.0	0.009	0.000
Label Logo 1	059197	USE ONLY FOR ALL ADULTSIZES AND YOUTH S-XL 42mm x 8mm Lightweight Stripe woven ECO Hanger Loop DOWN 2 clr other colors w Director approval only	0.0	Avery Dennison Global	N	China	Portland	ea	0.0	0.024	0.0	1.000	5.0	0.025	0.000
Loop 1	460004	3/4in (20mm) Linear Loop/two side edge 1clr	0.0	Paiho Global	N	Taiwan	Taiwan-Taipei	yd	0.0	0.153	0.0	0.250	5.0	0.040	0.000

### Costing BOM

Line Slot: Ascender II HDD		State: Production		Season: F25			
Merchandise Division: Outerwear	Merchandise Collection: Trail	Product Class: Soft Shell Tops		Sourcing Manager: melissa.gallagher			
Designer: dmaguire	Developer: alicehan	LO Developer: keerthis					
Fit Engineer: alicehan							
Design: F4MO209045	Sample LO:	Production LO: India					
Style WS5779	Material Style 2090452	Style Description Ascender™ II Hooded Softshell Jacket	Pattern L14S2016	Base Size 2X	Size Scale 1X - 6X	Fit Regular	SMU Type N/A



Component	Material	Description	Fabric Width	Supplier	Locked	Country of Origin	Managing Liaison Office	UoM	Target Cost	FOB Unit Cost	CIF Unit Cost	Usage	Wastage %	Total FOB	Total CIF
Loop 2	460004	3/4in (20mm) Linear Loop/two side edge 1clr	0.0	Paiho Global	N	Taiwan	Taiwan-Taipei	yd	0.0	0.153	0.0	0.097	5.0	0.016	0.000
Thread 1	110529	Coats Astra EV spun Polyester Tex 30	0.0	Coats Global Thread	N	unassigned	Portland	meter	0.0	0.00048	0.0	75.000	5.0	0.038	0.000
Thread 2	008214	Coats ASTRA Spun Polyester Tex 27 40/2	0.0	Coats Global Thread	N	unassigned	Portland	meter	0.0	0.0003	0.0	575.000	5.0	0.181	0.000
Toggle 1	031940	4.5mm ID Toggle	0.0	FGV - Shahi Exports Pvt. (SEP) Ltd.	Y	unassigned	India	ea	0.0	0.066	0.0	1.000	2.0	0.067	0.000

### Costing BOM

Line Slot: Ascender II HDD      State: Production      Season: F25  
 Merchandise Division: Outerwear      Merchandise Collection: Trail      Product Class: Soft Shell Tops  
 Designer: dmaguire      Developer: alicehan      LO Developer: keerthis      Sourcing Manager: melissa.gallagher  
 Fit Engineer: alicehan

Design: F4MO209045      Sample LO:      Production LO: India  
 Style Material Style      Style Description      Pattern      Base Size      Size Scale      Fit      SMU Type  
 WS5779      2090452      Ascender™ II Hooded Softshell Jacket      L14S2016      2X      1X - 6X      Regular      N/A



Component	Material	Description	Fabric Width	Supplier	Locked	Country of Origin	Managin g Liaison Office	UoM	Target Cost	FOB Unit Cost	CIF Unit Cost	Usage	Wastage %	Total FOB	Total CIF
Washer 1	002614	Plastic Washer (Polyurethane) (use on all Snap Stud and Post or Eyelets if needed) Clear CAN BE USED FOR YOUTH	0.0	Unitex International Button Accessories Ltd	N	China	Portland	ea	0.0	0.00559	0.0	1.000	3.0	0.006	0.000
Webbing and Tape 1	360027	3/8 in Grosgrain Tape Poly 1 clr	0.0	FGV - Shahi Exports Pvt. (SEP) Ltd.	Y	India	India	yd	0.0	0.059	0.0	0.125	7.0	0.008	0.000

### Costing BOM

Line Slot: Ascender II HDD	State: Production	Season: F25	
Merchandise Division: Outerwear	Merchandise Collection: Trail	Product Class: Soft Shell Tops	
Designer: dmaguire	Developer: alicehan	LO Developer: keerthis	Sourcing Manager: melissa.gallagher
Fit Engineer: alicehan			
Design: F4MO209045	Sample LO:	Production LO: India	
Style: WS5779	Material Style: 2090452	Style Description: Ascender™ II Hooded Softshell Jacket	Pattern: L14S2016
		Base Size: 2X	Size Scale: 1X - 6X
		Fit: Regular	SMU Type: N/A



Component	Material	Description	Fabric Width	Supplier	Locked	Country of Origin	Managing Liaison Office	UoM	Target Cost	FOB Unit Cost	CIF Unit Cost	Usage	Wastage %	Total FOB	Total CIF
Zipper 1	002673	CNFOL-56 DA8BLH H3 P- TOP REVERSE OpenEnd Left-in AutoLk LargeHole AntSilver Sldr/PI PlasticTopStop RevCoil CAN BE USED FOR CHILDREN Metal content	0.0	YKK Global	N	Taiwan	Portland	ea	0.0	0.2745	0.0	1.000	1.0	0.427	0.000
Zipper 2	003272	CNFC-56 DA8BLH H3 T-B- 0 REVERSE Clsd AutoLk LargeHole PI AntSil Sldr/PI NoStop RevCoil Metal content	0.0	YKK Global	N	Taiwan	Portland	ea	0.0	0.1963	0.0	2.000	1.0	0.468	0.000



### Costing BOM

Line Slot: Ascender II HDD	State: Production	Season: F25	
Merchandise Division: Outerwear	Merchandise Collection: Trail	Product Class: Soft Shell Tops	
Designer: dmaguire	Developer: alicehan	LO Developer: keerthis	Sourcing Manager: melissa.gallagher
Fit Engineer: alicehan			
Design: F4MO209045	Sample LO:	Production LO: India	
Style: Material Style	Style Description	Pattern	Base Size
WS5779	2090452	Ascender™ II Hooded Softshell Jacket	L14S2016
			2X
			1X - 6X
			Regular
			SMU Type
			N/A



Component	Material	Description	Fabric Width	Supplier	Locked	Country of Origin	Managing Liaison Office	UoM	Target Cost	FOB Unit Cost	CIF Unit Cost	Usage	Wastage %	Total FOB	Total CIF
Zipper 3	003272	CNFC-56 DA8BLH H3 T-B-0 REVERSE Clsd AutoLk LargeHole PI AntSil Sldr/PI NoStop RevCoil Metal content	0.0	YKK Global	N	Taiwan	Portland	ea	0.0	0.1963	0.0	1.000	1.0	0.225	0.000
Label 1	059200	40mm CSC International Size Extended Woven ECO Loop Label for use with Hanger Loop	0.0	Manohar Filaments	Y	India	India	ea	0.0	0.0461	0.0	1.000	3.0	0.047	0.000

### Costing BOM

Line Slot: Ascender II HDD		State: Production		Season: F25			
Merchandise Division: Outerwear	Merchandise Collection: Trail	Product Class: Soft Shell Tops		Sourcing Manager: melissa.gallagher			
Designer: dmaguire	Developer: alicehan	LO Developer: keerthis					
Fit Engineer: alicehan							
Design: F4MO209045	Sample LO:	Production LO: India					
Style WS5779	Material Style 2090452	Style Description Ascender™ II Hooded Softshell Jacket	Pattern L14S2016	Base Size 2X	Size Scale 1X - 6X	Fit Regular	SMU Type N/A



Component	Material	Description	Fabric Width	Supplier	Locked	Country of Origin	Managing Liaison Office	UoM	Target Cost	FOB Unit Cost	CIF Unit Cost	Usage	Wastage %	Total FOB	Total CIF
Label 2	006564	33mm Care Content ECO Booklet Fold label with fully translated country of origin WHT/BLK for most, BLK/WHT for Titanium only, GRY/BLK is for Garment DYE ONLY- waiting on updated artwork	0.0	Avery Dennison Global	N	China	Portland	ea	0.0	0.016	0.0	1.000	3.0	0.016	0.000

### Costing BOM

Line Slot: Ascender II HDD      State: Production      Season: F25  
 Merchandise Division: Outerwear      Merchandise Collection: Trail      Product Class: Soft Shell Tops  
 Designer: dmaguire      Developer: alicehan      LO Developer: keerthis      Sourcing Manager: melissa.gallagher  
 Fit Engineer: alicehan

Design: F4MO209045      Sample LO:      Production LO: India  
 Style Material Style Style Description Pattern Base Size Size Scale Fit SMU Type  
 WS5779 2090452 Ascender™ II L14S2016 2X 1X - 6X Regular N/A  
 Hooded Softshell Jacket



Component	Material	Description	Fabric Width	Supplier	Locked	Country of Origin	Managing Liaison Office	UoM	Target Cost	FOB Unit Cost	CIF Unit Cost	Usage	Wastage %	Total FOB	Total CIF
Hangtag Package Part	121612	MSRP/UPC with RFID Specs for MSRP. Please refer to VAS specs for any exceptions. MSRP required on all product shipping to the US.	0.0	Avery Dennison Global	N	unassigned	Portland	ea	0.0	0.04875	0.0	1.000	5.0	0.051	0.000
Hangtag Package Part	097038	Columbia Omni-Shield Hangtag	0.0	Hang Sang Press Co. Ltd	N	unassigned	Portland	ea	0.0	0.0273	0.0	1.000	3.0	0.028	0.000
Hangtag Package Part	126967	Regular Fit Swing Tag	0.0	Hang Sang Press Co. Ltd	N	unassigned	Portland	ea	0.0	0.023	0.0	1.000	3.0	0.024	0.000
Packaging 1	064194	Outer Carton for costing purpose only	0.0	Contractor	N	unassigned	Hong Kong	ea	0.0	0.0	0.0	1.000	3.0	0.000	0.000

### Costing BOM

Line Slot: Ascender II HDD	State: Production	Season: F25	
Merchandise Division: Outerwear	Merchandise Collection: Trail	Product Class: Soft Shell Tops	
Designer: dmaguire	Developer: alicehan	LO Developer: keerthis	Sourcing Manager: melissa.gallagher
Fit Engineer: alicehan			
Design: F4MO209045	Sample LO:	Production LO: India	
Style: WS5779	Material Style: 2090452	Style Description: Ascender™ II Hooded Softshell Jacket	Pattern: L14S2016
		Base Size: 2X	Size Scale: 1X - 6X
		Fit: Regular	SMU Type: N/A



Component	Material	Description	Fabric Width	Supplier	Locked	Country of Origin	Managing Liaison Office	UoM	Target Cost	FOB Unit Cost	CIF Unit Cost	Usage	Wastage %	Total FOB	Total CIF
Packaging 2	980001	Polybag See Standard CCS 4200 for specifications	0.0	Contractor	N	unassigned	Hong Kong	ea	0.0	0.0	0.0	1.000	3.0	0.000	0.000
Packaging 3	980010	UPC Bag Sticker Generic (MHW/Columbia) See CCS4400/4401 and MHW4402 for Mt Hardware for instructions	0.0	Avery Dennison Global	Y	China	Portland	ea	0.0	0.01089	0.0	1.000	5.0	0.011	0.000

### Costing BOM

Line Slot: Ascender II HDD		State: Production		Season: F25			
Merchandise Division: Outerwear		Merchandise Collection: Trail		Product Class: Soft Shell Tops			
Designer: dmaguire		Developer: alicehan		LO Developer: keerthis		Sourcing Manager: melissa.gallagher	
Fit Engineer: alicehan							
Design:	F4MO209045	Sample LO:		Production LO:	India		
Style	Material Style	Style Description	Pattern	Base Size	Size Scale	Fit	SMU Type
WS5779	2090452	Ascender™ II Hooded Softshell Jacket	L14S2016	2X	1X - 6X	Regular	N/A



This is confidential and proprietary information of Columbia Sportswear Company. You agree that you will not disclose this information to any third party or use it for any purpose other than on behalf of Columbia. You have no right to use Columbia's name or any of its trademarks, trade names, copyrights, patents, designs or other intellectual property except as set forth in writing by Columbia.



## Care Report

Line Slot: Ascender II HDD	State: Production	Season: F25
Merchandise Division: Outerwear	Merchandise Collection: Trail	Product Class: Soft Shell Tops
Designer: dmaquire	Developer: alicehan	LO Developer: keerthis
Fit Engineer: alicehan	Sourcing Manager: melissa.gallagher	
Design: F4MO209045	Sample LO:	Production LO: India
Style Material Style	Style Description	Pattern
WS5779	2090452	Ascender™ II Hooded Softshell Jacket
Base Size	Size Scale	Fit
2X	1X - 6X	Regular
		SMU Type
		N/A



Care Code: 2012		Color Way Number	Color Way Name
<b>English</b>	Machine Wash Cold, Wash Separately, Do Not Bleach, Tumble Dry Low, Do Not Iron, Do Not Use Fabric Softener, Do Not Dryclean		
<b>French</b>	Lavage machine à froid, Laver séparément, Ne pas utiliser d'eau de javel, Séchage machine, basse température, Ne pas repasser, Ne pas utiliser d'assouplissant, Nettoyage à sec interdit	010	Black
		023	City Grey
<b>German</b>	Maschinenwäsche kalt, Separat waschen, Keine Bleichmittel verwenden, Trocknen im Wäschetrockner bei niedriger Temperatur, Nicht bügeln, Keine Weichspüler verwenden, Nicht chemisch reinigen	256	Tobacco
		397	Stone Green
<b>Portuguese</b>	Lavar à maquina com água fria, Lavar separadamente, Não alvejar, Secar à máquina em temperatura baixa, Não passar a ferro, Não usar amaciante, Não utilizar limpeza a seco	464	Collegiate Navy
<b>Spanish</b>	Lavar a máquina con agua fría, Lavar por separado, No usar lejía, Usar secadora a temperatura baja, No planchar, No usar suavizante de telas, No lavar en seco		
<b>Italian</b>	Lavare in lavatrice in acqua fredda, Lavare separatamente, Non candeggiare, Asciugare a tamburo a bassa temperatura, Non stirare, Non utilizzare ammorbidente, Non lavare a secco		
<b>Russian</b>	Машинная стирка в холодной воде, Стирать отдельно, Не отбеливать, Сушить при низкой температуре, Не гладить, Не использовать кондиционер для тканей, Химчистка запрещена		
<b>Czech Republican</b>	Praní v pračce při nízké teplotě, Prát samostatně, Nebělit, Sušení v sušičce, nízká teplota, Nežehlit, Nepoužívat aviváž, Nečistit chemicky		
<b>Hebrew</b>	כביסה במכונה במים קרים, לכבס בנפרד, לא להלבין, לייבש במיבש כביסה בחום נמוך, לא לגהץ, לא להשתמש במרכך כביסה, לא לנקות בניקוי יבש		
<b>Hungarian</b>	Géppel mossa, hideg vízzel, Különválasztva mossa, Ne használjon fehérítőt, Szárítógépben alacsony hőfokon szárítsa, Ne vasalja, Ne használjon öblítőszeret, Ne vegytisztítsa		
<b>Polish</b>	Prac w temperaturze nie przekraczającej 30°C, Prac oddzielnie, Nie chlorować, Można suszyć bębnowo, niska temperatura, Nie prasować, Nie używać zmiękczacza do tkanin, Nie czyścić chemicznie		
<b>Portuguese Brazil</b>	Lavar à maquina com água fria, Lavar separadamente, Não alvejar, Secar em tambor rotativo em temperatura baixa, Não passar a ferro, Não usar amaciante, Não utilizar limpeza a seco		
<b>Slovakian</b>	Perte v pračke v studenej vode, Perte oddelene, Neodfarbuje, Sušte v bubnovej sušičke pri nízkych otáčkach, Nežehlite, Nepoužívajte avivážne prípravky, Nečistite chemicky		
<b>Slovenian</b>	Mrzlo strojno pranje, Prati posebej, Ne belite, Nizko strojno sušenje, Ne likati, Ne uporabljati mehčalca, Ne suho čistiti		
<b>Spanish Latin American</b>	Lavar a máquina con agua fría, Lavar por separado, No usar blanqueador, Usar secadora a temperatura baja, No planchar, No usar suavizante de telas, No lavar en seco		
<b>Turkish</b>	Makinada Yıkanır, Soğuk, Ayrı Yıkayın, Ağartıcı Kullanmayın, Tambur Kurutma, Düşük, Ütülemeyin, Çamaşır Yumuşatıcısı Kullanmayın, Kuru Temizleme Yapmayın		
<b>Chinese Simplified</b>	冷水机洗, 分开洗涤, 请勿漂白, 低温滚筒烘干, 请勿熨烫, 请勿使用织物柔软剂, 请勿干洗		
<b>Chinese Traditional</b>	冷水機洗, 分開洗滌, 請勿漂白, 低溫滾筒烘乾, 請勿熨燙, 請勿使用織物柔軟劑, 請勿乾洗		
<b>Japanese</b>	洗濯機水洗い, 個別に洗濯してください, 漂白剤使用不可, 乾燥機使用可 (低温), アイロン使用不可, 柔軟剤の使用不可, ドライクリーニング不可		
<b>Korean</b>	, , 가, , 가, 가,		
<b>Danish</b>	Kold maskinvask, Vask separat, Må ikke afbleges, Tør i tørretumbler, lav, Brug ikke strygejern, Brug ikke skyllemiddel, Må ikke renses kemisk		
<b>Norwegian</b>	Maskinvask kald, Vaskes separat, Må ikke blekes, Tørketrommel, lav, Skal ikke strykes, Ikke bruk tøymykner, Skal ikke renses		
<b>Swedish</b>	Maskintvättas kallt, Tvättas separat, Får inte blekas, Torktumlas på låg nivå, Får inte strykas, Sköljmedel får inte användas, Kemtvättas inte		
<b>Dutch</b>	Koud wassen in wasmachine, Apart wassen, Niet bleken, In droger op laag, Niet strijken, Geen wasverzachter gebruiken, Niet laten stomen		

### Care Report

Line Slot: Ascender II HDD

State: Production

Season: F25

Merchandise Division: Outerwear

Merchandise Collection: Trail

Product Class: Soft Shell Tops

Designer: dmaguire

Developer: alicehan

LO Developer: keerthis

Sourcing Manager: melissa.gallagher

Fit Engineer: alicehan



Design: F4MO209045

Sample LO:

Production LO: India

Style Material Style

Style Description Pattern

Base Size Size Scale

Fit SMU Type

WS5779 2090452

Ascender™ II Hooded Softshell Jacket L14S2016

2X 1X - 6X

Regular N/A

**French Canadian**

Laver à la machine à l'eau froide, Laver séparément, Ne pas utiliser d'agent de blanchiment, Séchage par culbutage à basse température, Ne pas repasser, Ne pas utiliser d'assouplisseur, Ne pas nettoyer à sec





## Content Report

Line Slot: Ascender II HDD	State: Production	Season: F25					
Merchandise Division: Outerwear	Merchandise Collection: Trail	Product Class: Soft Shell Tops					
Designer: dmaguire	Developer: alicehan	LO Developer: keerthis					
Fit Engineer: alicehan		Sourcing Manager: melissa.gallagher					
Design: F4MO209045	Sample LO:	Production LO: India					
Style: Material Style	Style Description	Pattern	Base Size	Size Scale	Fit	SMU Type	
WS5779	2090452	Ascender™ II Hooded Softshell Jacket	L14S2016	2X	1X - 6X	Regular	N/A



CONTENT CODE: AIO		Color Way Number	Color Way Name
Shell Face: 100% Polyester			
Shell Back: 100% Polyester Exclusive of Trimming			
<b>FRENCH</b>	Tissu de la partie avant: 100% Polyester	023	City Grey
	Tissu de la partie arrière: 100% Polyester Sauf les bordures	010	Black
<b>GERMAN</b>	Außenhülle Vorderteil: 100% Polyester	397	Stone Green
	Rückenteil Außenhülle Rückenteil: 100% Polyester Ohne Besatz	464	Collegiate Navy
<b>PORTUGUESE</b>	Exterior anterior: 100% Poliéster	256	Tobacco
	Exterior posterior: 100% Poliéster Sem orlas		
<b>SPANISH</b>	Parte delantera de la cubierta: 100% Poliéster		
	Parte posterior de la cubierta: 100% Poliéster Exclusivo de los ribetes		
<b>ITALIAN</b>	Parte anteriore guscio: 100% Poliestere		
	Parte posteriore guscio: 100% Poliestere Ad eccezione dei bordini		
<b>RUSSIAN</b>	Оболочка, лицо: 100% Полиэфир		
	Оболочка, изнанка: 100% Полиэфир Без дополнительных деталей		
<b>CZECH REPUBLICAN</b>	Přední dík skořepiny: 100% Polyester		
	Zadní díl skořepiny: 100% Polyester Bez nášivek		
<b>HEBREW</b>	חזית המעטפת: 100% פוליאסטר		
	גב המעטפת: 100% פוליאסטר ללא קישוט		
<b>HUNGARIAN</b>	Külső elöl: 100% Poliészter		
	Külső hátul: 100% Poliészter Szegélydíszen kívül		
<b>POLISH</b>	Wierzch powłoki: 100% Poliester		
	Spód powłoki: 100% Poliester Wylęczając naszywki		
<b>PORTUGUESE BRAZIL</b>	Exterior anterior: 100% Poliéster		
	Exterior posterior: 100% Poliéster Sem adornos		
<b>SLOVAKIAN</b>	Plášť, predná časť: 100% Polyester		
	Plášť, zadná časť: 100% Polyester Okrem lemovania		
<b>SLOVENIAN</b>	Lice lupine: 100% Poliester		
	Hrbet lupine: 100% Poliester Brez obrezovanja		
<b>SPANISH LATIN AMERICAN</b>	Parte delantera de la cubierta: 100% Poliéster		
	Parte posterior de la cubierta: 100% Poliéster Exclusivo de los ribetes		
<b>TURKISH</b>	Kabuk Ön: 100% Polyester		
	Kabuk Arka: 100% Polyester Süsler Hariç		

## Content Report

Line Slot: Ascender II HDD		State: Production		Season: F25			
Merchandise Division: Outerwear	Merchandise Collection: Trail	Product Class: Soft Shell Tops					
Designer: dmaguire	Developer: alicehan	LO Developer: keerthis		Sourcing Manager: melissa.gallagher			
Fit Engineer: alicehan							
Design:	F4MO209045	Sample LO:	Production LO: India				
Style	Material Style	Style Description	Pattern	Base Size	Size Scale	Fit	SMU Type
WS5779	2090452	Ascender™ II Hooded Softshell Jacket	L14S2016	2X	1X - 6X	Regular	N/A



<b>CHINESE SIMPLIFIED</b>	外壳正面:	100% 聚酯
	外壳背面:	100% 聚酯 不包括装饰品
<b>CHINESE TRADITIONAL</b>	外殼正面:	100% 聚酯
	外殼背面:	100% 聚酯 不包括裝飾品
<b>JAPANESE</b>	シエル表:	100% ポリエステル
	シエル裏:	100% ポリエステル 装飾品を除く
<b>KOREAN</b>	:	100%
	:	100%
<b>DANISH</b>	Forside af skal:	100% Polyester
	Bagside af skal:	100% Polyester Inkluderer ikke kant
<b>NORWEGIAN</b>	Skall forside:	100% Polyester
	Skall rygg:	100% Polyester Eksklusiv trimming
<b>SWEDISH</b>	Ytterdel främre:	100% Polyester
	Ytterdel bakre:	100% Polyester Utan trimming
<b>DUTCH</b>	Schelp-voorkant:	100% Polyester
	Schelp-achterkant:	100% Polyester Exclusief trimmen
<b>FRENCH CANADIAN</b>	Tissu de la partie avant:	100% Polyester
	Tissu de la partie arrière:	100% Polyester Exclut les bordures

### Pattern Piece Detail



Line Slot: Ascender II HDD		State: Production		Season: F25			
Merchandise Division: Outerwear	Merchandise Collection: Trail	Product Class: Soft Shell Tops					
Designer: dmaguire	Developer: alicehan	LO Developer: keerthis		Sourcing Manager: melissa.gallagher			
Fit Engineer: alicehan							
Design:	F4MO20904 5	Sample LO:	Production LO:	India			
Style	Material Style	Style Description	Pattern	Base Size	Size Scale	Fit	SMU Type
WS5779	2090452	Ascender™ II Hooded Softshell Jacket	L14S2016	2X	1X - 6X	Regular	N/A

#### L14S2016 -

Component	Quantity	Long Description	Abbreviation	Code
-----------	----------	------------------	--------------	------

This is confidential and proprietary information of Columbia Sportswear Company. You agree that you will not disclose this information to any third party or use it for any purpose other than on behalf of Columbia. You have no right to use Columbia's name or any of its trademarks, trade names, copyrights, patents, designs or other intellectual property except as set forth in writing by Columbia.

### Measurements

Line Slot: Ascender II HDD	State: Production	Season: F25	
Merchandise Division: Outerwear	Merchandise Collection: Trail	Product Class: Soft Shell Tops	
Designer: dmaguire	Developer: alicehan	LO Developer: keerthis	Sourcing Manager: melissa.gallagher
Fit Engineer: alicehan			
Design: F4MO209045	Sample LO:	Production LO: India	
Style: Material Style	Style Description	Pattern	Base Size
WS5779	2090452	Ascender™ II Hooded Softshell Jacket	L14S2016
			2X
			1X - 6X
			Regular
			SMU Type N/A



Sort Order		Use	Type	Placemen t	(+/-)	1X	2X	3X	4X	5X	6X
Grade Rule: CSC Mens Outerwear Tops - Supersize - 1X-6X (2X) - NT - Block: null											
1101.0	CHEST WIDTH - circumference - 1 inch down from armhole seam	QC	Graded		0.0	54.0	<b>58.0</b>	62.0	66.0	70.0	74.0
1301.0	WAIST WIDTH POSITION - from CB neck seam		Graded		0.0	19.25	<b>19.5</b>	19.75	20.0	20.25	20.5
1401.0	WAIST WIDTH (Relaxed) - circumference	QC	Graded		0.0	52.0	<b>56.0</b>	60.0	64.0	68.0	72.0
1610.0	SWEEP WIDTH - circumference	QC	Graded		0.0	52.0	<b>56.0</b>	60.0	64.0	68.0	72.0
2003.0	BACK BODY LENGTH - CB neck to edge of hem - group grade	QC	Graded		0.0	30.0	<b>31.0</b>	31.0	31.0	32.0	32.0
2203.0	SHOULDER WIDTH - Natural Shoulder - seam to seam	QC	Graded		0.0	21.5	<b>22.5</b>	23.5	24.5	25.5	26.5
2602.0	SLEEVE LENGTH - Long Sleeve - CB neck to hem edge	QC	Graded		0.0	37.0	<b>38.0</b>	38.75	39.5	40.25	41.0
2722.0	SLEEVE WIDTH - circumference - 1 inch down from armhole seam	QC	Graded		0.0	21.0	<b>22.0</b>	23.0	24.0	25.0	26.0
2822.0	ELBOW WIDTH - circumference - at mid point of under sleeve seam	QC	Graded		0.0	15.875	<b>16.5</b>	17.125	17.75	18.375	19.0
3265.0	CUFF WIDTH (Extended) - long sleeve - circumference	QC	Graded		0.0	11.5	<b>11.75</b>	12.0	12.25	12.5	12.75
3450.0	NECK CIRCUMFERENCE - at seam	QC	Graded		0.0	22.5	<b>23.5</b>	24.5	25.5	26.5	27.5
3800.0	HOOD HEIGHT - from HPS to top of hood	QC	Graded		0.0	14.5	<b>14.5</b>	14.75	15.0	15.25	15.5
3920.0	HOOD WIDTH - on half	QC	Graded		0.0	10.125	<b>10.25</b>	10.5	10.75	11.0	11.25
3970.0	HOOD TIP HEIGHT - at CF		Graded		0.0	3.5	<b>3.5</b>	3.5	3.5	3.5	3.5

### Measurements

Line Slot: Ascender II HDD	State: Production	Season: F25	
Merchandise Division: Outerwear	Merchandise Collection: Trail	Product Class: Soft Shell Tops	
Designer: dmaguire	Developer: alicehan	LO Developer: keerthis	Sourcing Manager: melissa.gallagher
Fit Engineer: alicehan			
Design: F4MO209045	Sample LO:	Production LO: India	
Style Material Style	Style Description	Pattern	Base Size
WS5779	2090452	Ascender™ II Hooded Softshell Jacket	L14S2016
			2X
			1X - 6X
			Fit Regular
			SMU Type N/A



Sort Order	Use	Type	Placemen t	(+/-)	1X	2X	3X	4X	5X	6X
6802.0	FINISHED ZIPPER LENGTH - chest pocket opening		Varies By Style	0.0	7.0	<b>7.5</b>	7.5	7.5	8.0	8.0
6830.0	FINISHED ZIPPER LENGTH - lower front pocket opening		Varies By Style	0.0	8.5	<b>9.0</b>	9.0	9.0	9.5	9.5
930.0	Drawcord-Cording-Laces 1		Compone nt	0.0	56.0	<b>60.0</b>	64.0	68.0	72.0	76.0
960.0	Drawcord-Cording-Laces 2		Compone nt	0.0	7.0	<b>7.0</b>	7.0	7.0	7.0	7.0
1850.0	Hook 1		Compone nt	0.0	2.0	<b>2.0</b>	2.0	2.0	2.0	2.0
1860.0	Hook 2		Compone nt	0.0	2.0	<b>2.0</b>	2.0	2.0	2.0	2.0
2190.0	Loop 1		Compone nt	0.0	4.5	<b>4.5</b>	4.5	4.5	4.5	4.5
2200.0	Loop 2		Compone nt	0.0	3.5	<b>3.5</b>	3.5	3.5	3.5	3.5
3190.0	Webbing and Tape 1		Compone nt	0.0	2.25	<b>2.25</b>	2.25	2.25	2.25	2.25
3670.0	Zipper 1		Compone nt	0.0	30.5	<b>31.5</b>	31.5	31.5	32.5	32.5
3690.0	Zipper 2		Compone nt	0.0	9.5	<b>10.0</b>	10.0	10.0	10.5	10.5
3710.0	Zipper 3		Compone nt	0.0	8.0	<b>8.5</b>	8.5	8.5	9.0	9.0

This is confidential and proprietary information of Columbia Sportswear Company. You agree that you will not disclose this information to any third party or use it for any purpose other than on behalf of Columbia. You have no right to use Columbia's name or any of its trademarks, trade names, copyrights, patents, designs or other intellectual property except as set forth in writing by

### Measurements

Line Slot: Ascender II HDD	State: Production	Season: F25					
Merchandise Division: Outerwear	Merchandise Collection: Trail	Product Class: Soft Shell Tops					
Designer: dmaguire	Developer: alicehan	LO Developer: keerthis					
Fit Engineer: alicehan		Sourcing Manager: melissa.gallagher					
Design: F4MO209045	Sample LO:	Production LO: India					
Style Material Style	Style Description	Pattern	Base Size	Size Scale	Fit	SMU Type	
WS5779	2090452	Ascender™ II Hooded Softshell Jacket	L14S2016	2X	1X - 6X	Regular	N/A



Columbia.

### Thumbnail

Line Slot: Ascender II HDD

Merchandise Division: Outerwear

Designer: dmaguire

Fit Engineer: alicehan

Merchandise Collection: Trail

Developer: alicehan

State: Production

Product Class: Soft Shell Tops

LO Developer: keerthis

Season: F25

Sourcing Manager: melissa.gallagher

Design: F4MO209045

Style Material Style

WS5779 2090452

Sample LO:

Style Description

Ascender™ II Hooded Softshell Jacket

Pattern

L14S2016

Production LO: India

Base Size

2X

Size Scale

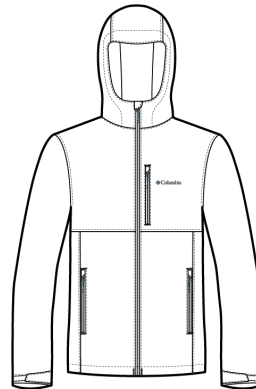
1X - 6X

Fit

Regular

SMU Type

N/A



This is confidential and proprietary information of Columbia Sportswear Company. You agree that you will not disclose this information to any third party or use it for any purpose other than on behalf of Columbia. You have no right to use Columbia's name or any of its trademarks, trade names, copyrights, patents, designs or other intellectual property except as set forth in writing by Columbia.

# 209045 ASCENDER II HDD

## Technical

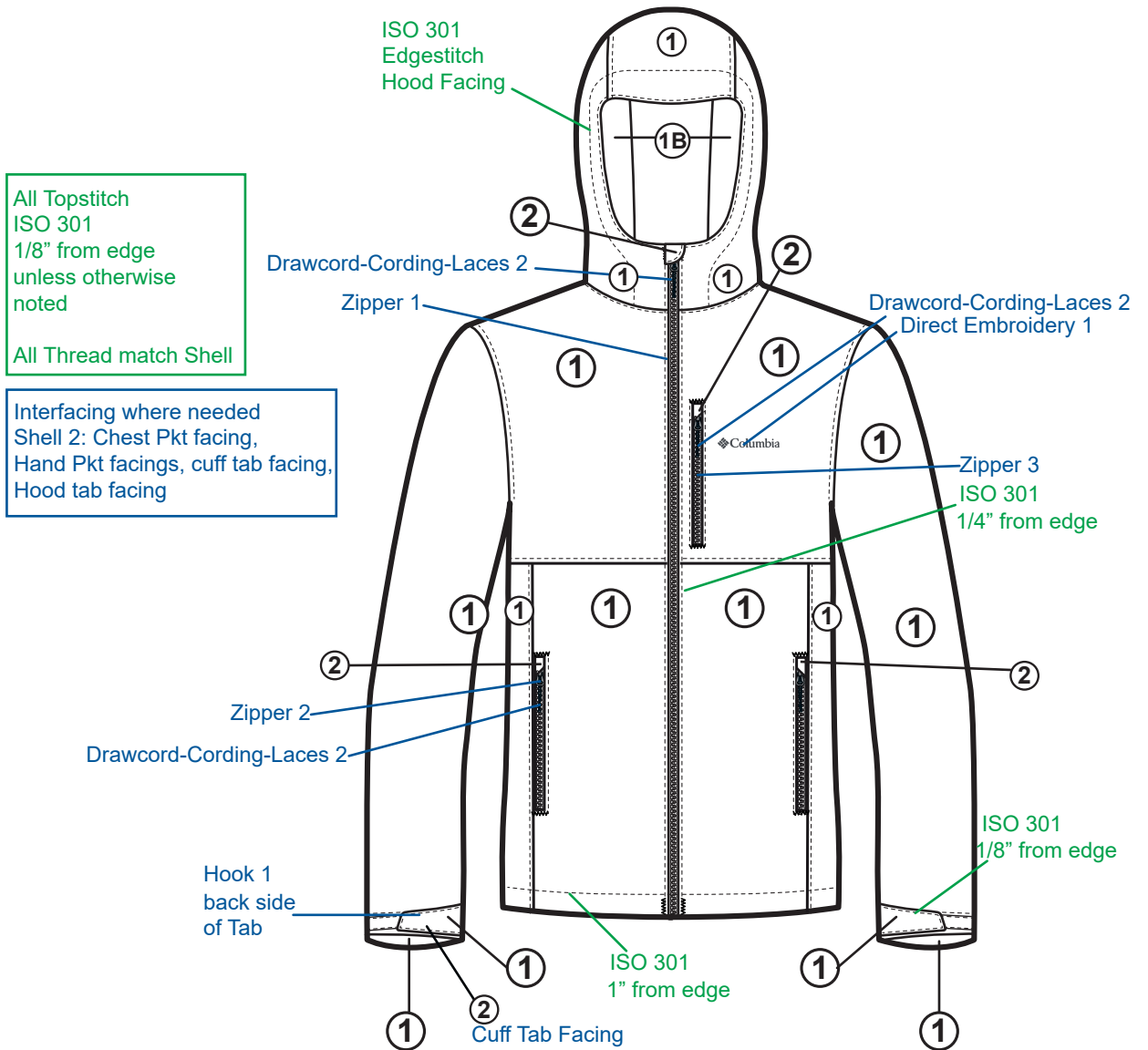
Line Slot: Ascender II HDD  
 Merchandise Division: Outerwear  
 Designer: dmaguire  
 Merchandise Collection: Trail  
 Developer: alicehan  
 State: Production  
 Product Class: Soft Shell Tops  
 LO Developer: keerthis  
 Season: F25  
 Sourcing Manager: melissa.gallagher

Fit Engineer: alicehan

Design:	F4MO20904	Sample LO:	5	Production LO:	India		
Style	Material Style	Style Description	Pattern	Base Size	Size Scale	Fit	SMU Type
WS5779	2090452	Ascender™ II Hooded Softshell Jacket	L14S2016	2X	1X - 6X	Regular	N/A



Last Updated: 05.15.23 EW



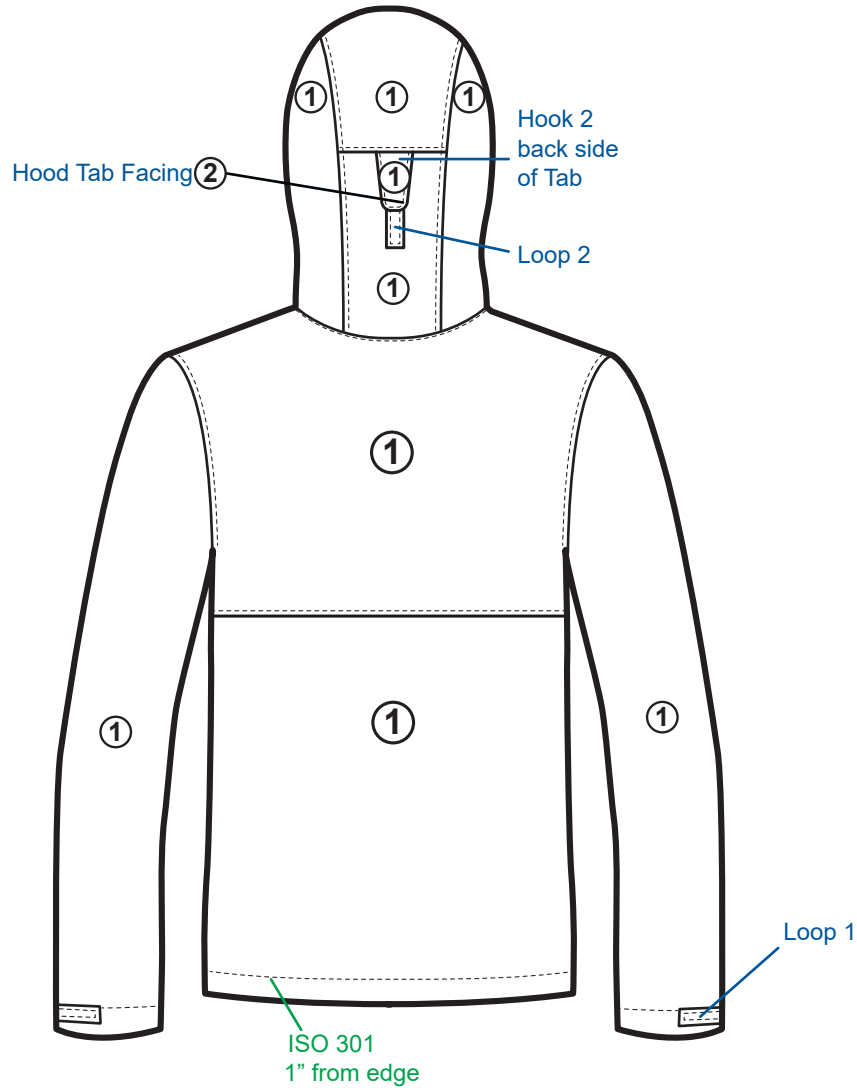


Technical

Line Slot: Ascender II HDD  
Merchandise Division: Outerwear  
Designer: dmaguire  
Fit Engineer: alicehan  
State: Production  
Merchandise Collection: Trail  
Developer: alicehan  
Product Class: Soft Shell  
Tops  
LO Developer: keerthis  
Season: F25  
Sourcing Manager: melissa.gallagher



Design:	F4MO20904	Sample LO:	Production LO:	India			
Style	Material Style	Style Description	Pattern	Base Size	Size Scale	Fit	SMU Type
WS5779	2090452	Ascender™ II Hooded Softshell Jacket	L14S2016	2X	1X - 6X	Regular	N/A



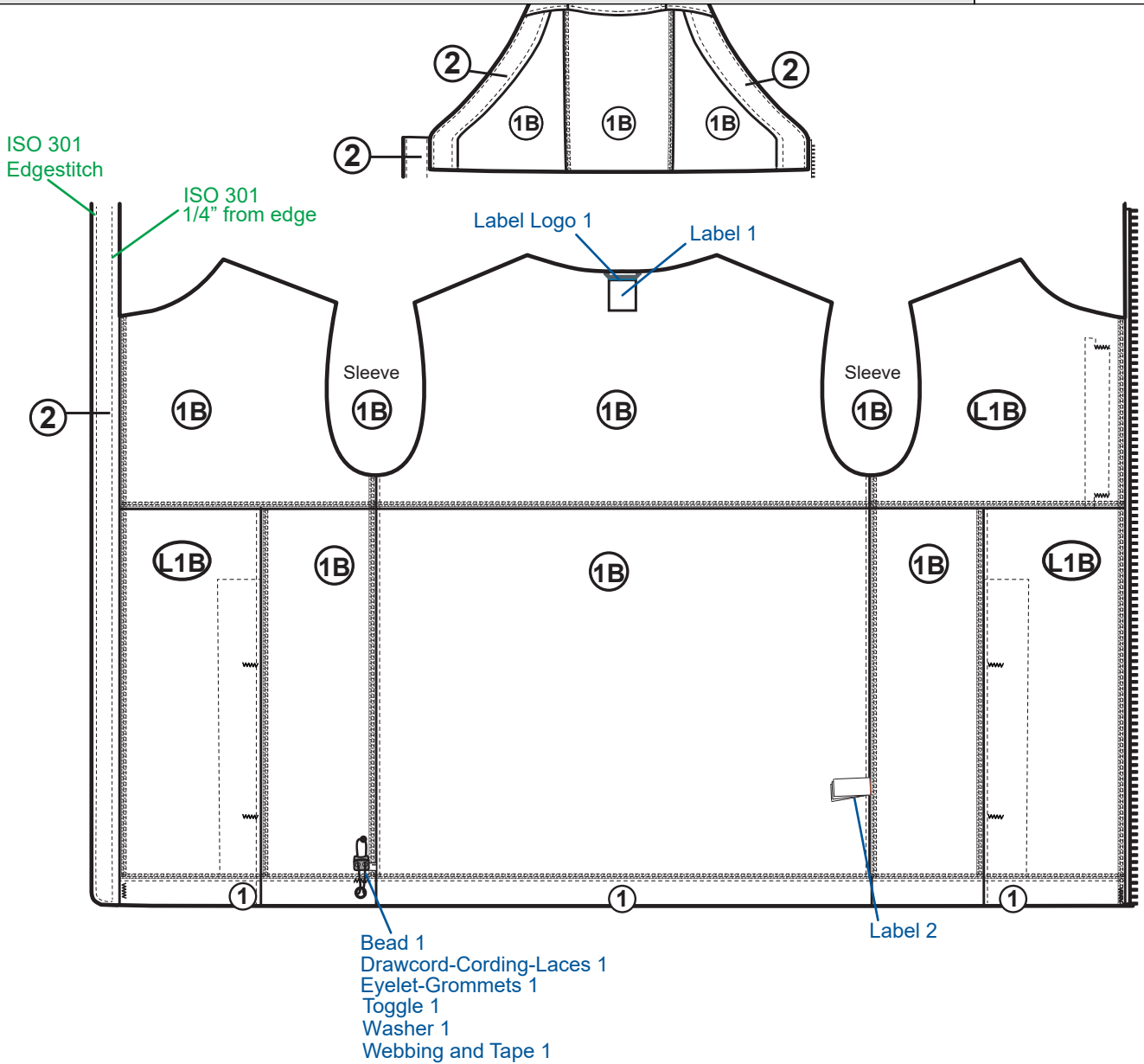
**LINING SKETCH**

**Technical**

Line Slot: Ascender II HDD		State: Production	Season: F25
Merchandise Division: Outerwear	Merchandise Collection: Trail	Product Class: Soft Shell Tops	
Designer: dmauire	Developer: alicehan	LO Developer: keerthis	Sourcing Manager: melissa.gallagher
Fit Engineer: alicehan			



Design:	F4MO20904 5	Sample LO:		Production LO:	India		
Style	Material Style	Style Description	Pattern	Base Size	Size Scale	Fit	SMU Type
WS5779	2090452	Ascender™ II Hooded Softshell Jacket	L14S2016	2X	1X - 6X	Regular	N/A

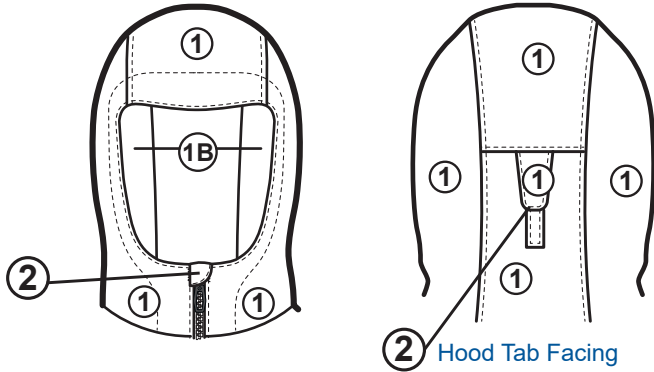


**Technical**

Line Slot: Ascender II HDD		State: Production		Season: F25			
Merchandise Division: Outerwear	Merchandise Collection: Trail	Product Class: Soft Shell Tops					
Designer: dmaguire	Developer: alicehan	LO Developer: keerthis		Sourcing Manager: melissa.gallagher			
Fit Engineer: alicehan							
Design: F4MO20904 5	Sample LO:	Production LO:	India				
Style	Material Style	Style Description	Pattern	Base Size	Size Scale	Fit	SMU Type
WS5779	2090452	Ascender™ II Hooded Softshell Jacket	L14S2016	2X	1X - 6X	Regular	N/A



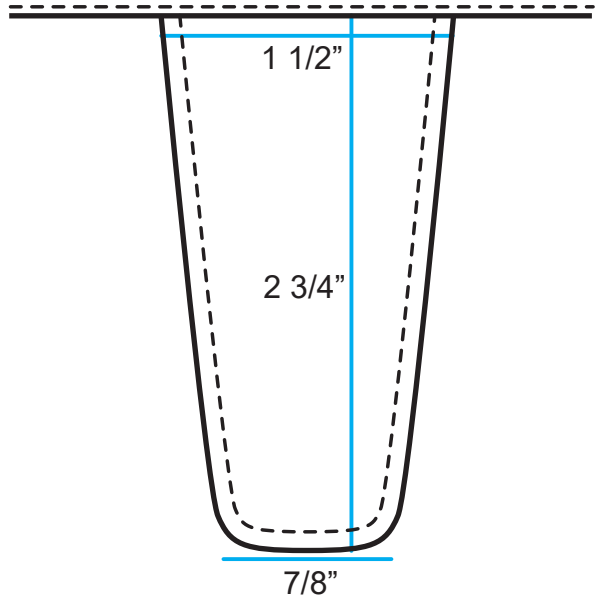
Last



DETAIL:  
Hood dimensions

TO-SCALE DETAIL SKETCHES  
(PLEASE COPY DIRECTLY FOR PATTERN)

BACK VOLUME TAB

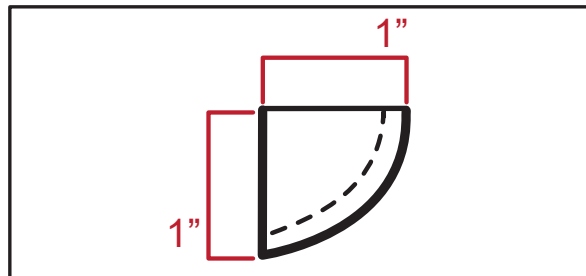
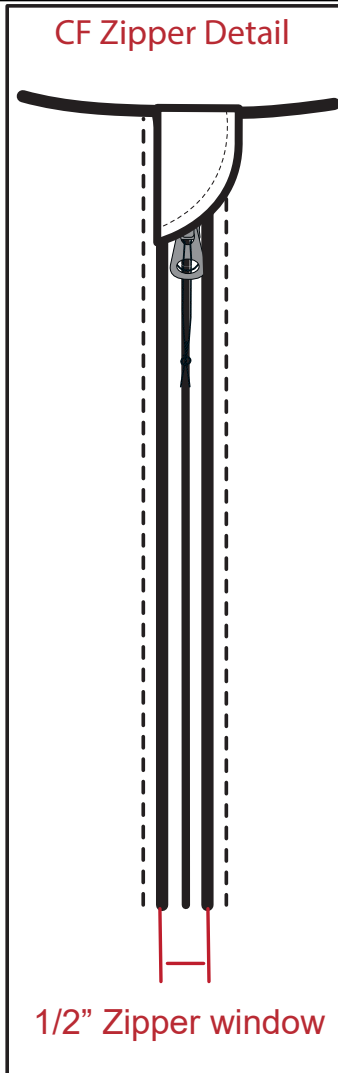


### Technical

Line Slot: Ascender II HDD  
 Merchandise Division: Outerwear  
 Designer: dmaguire  
 Merchandise Collection: Trail  
 Developer: alicehan  
 State: Production  
 Product Class: Soft Shell  
 LO Developer: keerthis  
 Season: F25  
 Sourcing Manager: melissa.gallagher

Fit Engineer: alicehan

Design:	F4MO20904	Sample LO:	5	Production LO:	India		
Style	Material Style	Style Description	Pattern	Base Size	Size Scale	Fit	SMU Type
WS5779	2090452	Ascender™ II Hooded Softshell Jacket	L14S2016	2X	1X - 6X	Regular	N/A



### Technical

Line Slot: Ascender II HDD  
 Merchandise Division: Outerwear  
 Designer: dmaguire  
 Fit Engineer: alicehan

Merchandise Collection: Trail  
 Developer: alicehan

State: Production  
 Product Class: Soft Shell Tops  
 LO Developer: keerthis

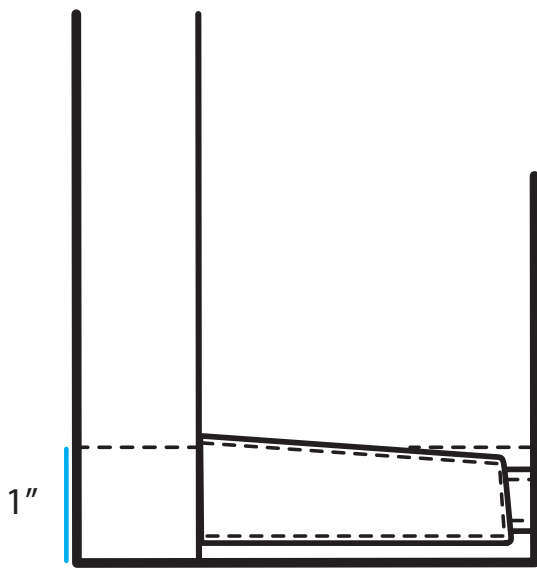
Season: F25  
 Sourcing Manager: melissa.gallagher



Design: F4MO20904 5  
 Sample LO:  
 Style: Material Style  
 WS5779 2090452

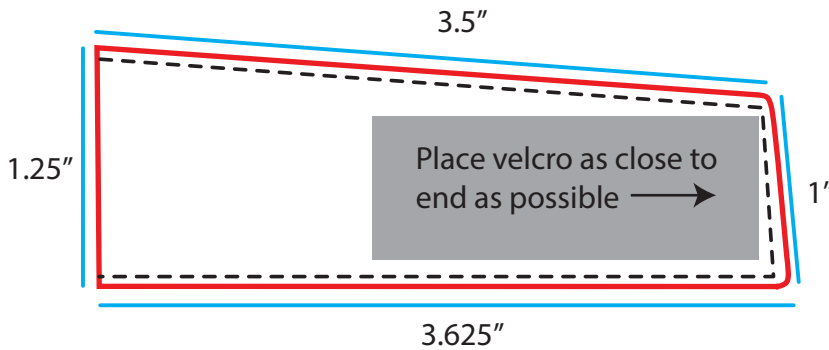
Style Description: Ascender™ II Hooded Softshell Jacket  
 Pattern: L14S2016  
 Production LO: India  
 Base Size: 2X  
 Size Scale: 1X - 6X  
 Fit: Regular  
 SMU Type: N/A

## for SOFT SHELL CUFF TAB



### STITCHED

- \* Stitched cuff & cuff tab
- \* Strip-cut hook & loop



This is confidential and proprietary information of Columbia Sportswear Company. You agree that you will not disclose this information to any third party or use it for any purpose other than on behalf of Columbia. You have no right to use Columbia's name or any of its trademarks, trade names, copyrights, patents, designs or other intellectual property except as set forth in writing by Columbia.

# Hangtag Package Report

Apparel Style: WS5779

Season: F25

Brand: Columbia

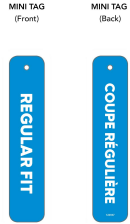
Merchandise Category: Outerwear

Merchandiser: kevin.wonnacott

Line Slot: Ascender II HDD

Sort Order: 0.5 Part: 126967 - Regular Fit Swing Tag  
 Instruction: Swing tag to be placed on top of cover tag on same plastic stringer.

SKU/Version #	Size	Name	Expiry Date
OP1490984	126967	OP1490984_126967_MT_Regular Fit	10-18-23



SKU/Version #	Size	Name	Expiry Date
Process Bar / Process Blue	126967	Process Bar / Process Blue	
275 x 137 / 1085mm x 543mm		ApexCoat Coating, Die Cut, 3mm punch	



Sort Order: 1.0 Part: 097038 - Columbia Omni-Shield Hangtag  
 Instruction: (Tag should be hung with 3" plastic loop stringer through lower left front pocket zipper pull)

SKU/Version #	Size	Name	Expiry Date
OP984986	097038	OP984986_097038_TC_Columbia_OmniShield	01-17-23



SKU/Version #	Size	Name	Expiry Date
4 - Process Blue / Process Blue	126967	4 - Process Blue / Process Blue	
235 x 248 / 938mm x 983mm		ApexCoat Coating, Die Cut, 3mm Punch	



Sort Order: 9.0 Part: 121612 - MSRP/UPC with RFID Specs for MSRP.  
 Please refer to VAS specs for any exceptions. MSRP required on all product shipping to the US.  
 Instruction:

