

Related Styles

Line Slot: Kruser Ridge III Softshell Jacket

State: Production

Season: F25

Merchandise Division: Outerwear

Merchandise Collection: Trail

Product Class: Soft Shell Tops

Designer: nzan

Developer: jenchen

LO Developer: mbal

Sourcing Manager: melissa.gallagher

Fit Engineer: jenchen



Design: F4WO208502

Sample LO:

Production LO: India

Style Material Style

Style Description Pattern

Base Size Size Scale

Fit SMU Type

WW1684

2085022

Kruser Ridge™ III
Softshell Jacket L18W8001

1X

1X - 3X

Regular

N/A

Style	Material Style	Style Description	Design	Pattern	Base Size	Size Scale	Sample LO	Production LO
WL1684	2085021	Kruser Ridge™ III Softshell Jacket	F4WO208502	L18L8001	M	XS - XXL		India
WR1684	2085023	Kruser Ridge™ III Softshell Jacket	F4WO208502	L20Z7335	M	XS - XXL		India

This is confidential and proprietary information of Columbia Sportswear Company. You agree that you will not disclose this information to any third party or use it for any purpose other than on behalf of Columbia. You have no right to use Columbia's name or any of its trademarks, trade names, copyrights, patents, designs or other intellectual property except as set forth in writing by Columbia.

Color BOM

Line Slot: Kruser Ridge III Softshell Jacket

State: Production

Season: F25

Merchandise Division: Outerwear

Merchandise Collection: Trail

Product Class: Soft Shell Tops

Designer: nzan

Developer: jenchen

LO Developer: mbal

Sourcing Manager: melissa.gallagher

Fit Engineer: jenchen



Design: F4WO208502

Sample LO:

Production LO: India

Style Material Style

Style Description Pattern

Base Size Size Scale

Fit SMU Type

WW1684 2085022

Kruser Ridge™ III
Softshell Jacket L18W8001

1X 1X - 3X

Regular N/A

Component	Details	Placement	Usage	Width	Marker Width	010-Black	031-Cirrus Grey	607-Moonvista
SAP Material Code						2085021010 2085022010 2085023010	2085021031 2085022031 2085023031	2085022607 2085023607 2085021607
SMU Accounts						N/A	N/A	N/A
Shell 1	121277 PFC FREE Version of 032888 - Nexgen Contour Softshell Composite 100% Polyester 100% Polyester 156X132 75 X75 Durable Water Repellent (80/10HL) C0 PFOA/PFOS Free MaterialCoatingNone Adhesive - Dot Matrix 310.0 g/m2 Piece Dye/Jet and Jig NA		1.45 yd	55.0	0	Black, Black	Cirrus Grey, Cirrus Grey	Moonvista, Moonvista
Lining 1	119358 PFC Free Version of 064235 Nexgen Precision and Contour Softshell Face Only Twill 100% Polyester 160 X 136 75D/72F X 75D/72F MaterialFinishNone, Durable Water Repellent (80/10HL) C0 PFOA/PFOS Free MaterialCoatingNone MaterialLaminateNone 119.0 g/m2 Piece Dye/Jet NA		0.1 yd	58.0	0	Black	Cirrus Grey	Moonvista
Lining 2	074040 Improved Tricot Fleece - CJV Tricot 100% Polyester 28 Brushed (Tech Face) MaterialCoatingNone MaterialLaminateNone 145.0 g/m2 Piece Dye/Jet NA		0.04 yd	60.0	0	Black	Cirrus Grey	Moonvista

Color BOM

Line Slot: Kruser Ridge III Softshell Jacket

State: Production

Season: F25

Merchandise Division: Outerwear

Merchandise Collection: Trail

Product Class: Soft Shell Tops

Designer: nzan

Developer: jenchen

LO Developer: mbal

Sourcing Manager: melissa.gallagher

Fit Engineer: jenchen



Design: F4WO208502

Sample LO:

Production LO: India

Style Material Style

Style Description Pattern

Base Size Size Scale

Fit SMU Type

WW1684

2085022

Kruser Ridge™ III
Softshell Jacket L18W8001

1X

1X - 3X

Regular

N/A

Component	Details	Placement	Usage	Width	Marker Width	010-Black	031-Cirrus Grey	607-Moonvista
SAP Material Code						2085021010 2085022010 2085023010	2085021031 2085022031 2085023031	2085022607 2085023607 2085021607
Lining 3	004476 FOR POCKETING AND YOUTH STYLES ONLY Chamois Touch Tricot Tricot 100% Polyester 28 Anti-pill (face), Brushed (Tech Face) 80.0 g/m2 Piece Dye/Jet NA		0.11 yd	60.0	0	Black	Cirrus Grey	Moonvista
Interfacing 1	110671 Recycled Interlining Sew-In Non-Woven Lightweight Soft SAME AS VIRGIN VERSION 011958 Interlining 80% Recycled Polyester, 20% Viscose 30.0 g/m2		0.08 yd	39.0	0	White	White	White
Direct Embroidery 1	003374 64mm (B) Bug Columbia Logo Embroidery 1 clr Est st ct 1570. Width: 64.0 Height: 11.6		1 ea	0.0	0	Columbia Grey	White	Columbia Grey
Drawcord-Cording-Laces 1	380083 2.5mm OD Stretch Drawcord Polyester/ 1 color Outside Diameter: 2.5		1.75 yd	0.0	0	Black	Cirrus Grey	Moonvista
Drawcord-Cording-Laces 2	008166 1.5mm non stretch drawcord w/ticks 2 clr (ECO version use 082935)		0.7 yd	0.0	0	Black, Grill	Columbia Grey, Grill	Moonvista, Fig
Eyelets-Grommets 1	420001 5 mm ID Metal Eyelet.. 1 clr finish. Use 059589 for enamel DTM color. Inside Diameter: 5.0 Outside Diameter: 10.0		2 set	0.0	0	Matte Black Copper Finish	Antique Silver Finish	Black Nickel Finish
Label Logo 1	059197 USE ONLY FOR ALL ADULTSIZES AND YOUTH S-XL 42mm x 8mm Lightweight Stripe woven ECO Hanger Loop DOWN 2 clr other colors w Director approval only		1 ea	0.0	0	Columbia Grey, Grill	Columbia Grey, Grill	Columbia Grey, Grill
Thread 1	110529 Coats Astra EV spun Polyester Tex 30		34.5 meter	0.0	0	DTM	DTM	DTM
Thread 2	008214 Coats ASTRA Spun Polyester Tex 27 40/2		507.15 meter	0.0	0	DTM	DTM	DTM

Color BOM

Line Slot: Kruser Ridge III Softshell Jacket		State: Production		Season: F25			
Merchandise Division: Outerwear	Merchandise Collection: Trail	Product Class: Soft Shell Tops					
Designer: nzan	Developer: jenchen	LO Developer: mbal		Sourcing Manager: melissa.gallagher			
Fit Engineer: jenchen							
Design:	F4WO208502	Sample LO:	Production LO:		India		
Style	Material Style	Style Description	Pattern	Base Size	Size Scale	Fit	SMU Type
WW1684	2085022	Kruser Ridge™ III Softshell Jacket	L18W8001	1X	1X - 3X	Regular	N/A



Component	Details	Placement	Usage	Width	Marker Width	010-Black	031-Cirrus Grey	607-Moonvista
SAP Material Code						2085021010 2085022010 2085023010	2085021031 2085022031 2085023031	2085022607 2085023607 2085021607
Toggle 1	500058 3.5mm ID Round Barrel Two Hole Toggle Nylon 1clr metal content Length: 18.0 Width: 8.0 Inside Diameter: 3.5		2 ea	0.0	0	Black	White	Moonvista
Washer 1	002614 Plastic Washer (Polyurethane) (use on all Snap Stud and Post or Eyelets if needed) Clear CAN BE USED FOR YOUTH		2 ea	0.0	0	Clear	Clear	Clear
Webbing and Tape 1	360183 3/4 in W Foldover (3/8 to show) Woven Stretch Binding 1 clr FOR CAN STYLES PRODUCED IN VN use 110808 Width: 0.75		0.62 yd	0.0	0	Black	Cirrus Grey	Moonvista
Webbing and Tape 2	013891 1/4 inch Grosgrain Tape 1 clr (ECO version is 083473)		0.15 yd	0.0	0	Black	White	Moonvista
Zipper 1	002673 CNFOL-56 DA8BLH H3 P-TOP REVERSE OpenEnd Left-in AutoLk LargeHole AntSilver Sldr/PI PlasticTopStop RevCoil CAN BE USED FOR CHILDREN Metal content Length: 8.0		1 ea	0.0	0	Black	Cirrus Grey	Moonvista
Zipper 2	080717 CFC-36 DALH H3 T-B-0 Clsd AutoLk Lg Hole PI AntSilver Sldr/PI No Stps Metal content YKK PRICE POINT ONLY Length: 4.0		2 ea	0.0	0	Black	Cirrus Grey	Moonvista
Label 1	059200 40mm CSC International Size Extended Woven ECO Loop Label for use with Hanger Loop		1 ea	0.0	0	White, Columbia Grey, Compass Blue	White, Columbia Grey, Compass Blue	White, Columbia Grey, Compass Blue
Label 2	006564 33mm Care Content ECO Booklet Fold label with fully translated country of origin WHT/BLK for most, BLK/WHT for Titanium only, GRY/BLK is for Garment DYE ONLY- waiting on updated artwork		1 ea	0.0	0	White, Black	White, Black	White, Black
Hangtag Package Part	097038 Columbia Omni-Shield Hangtag		1 ea	0.0	0	Artwork	Artwork	Artwork

Color BOM

Line Slot: Kruser Ridge III Softshell Jacket		State: Production		Season: F25			
Merchandise Division: Outerwear	Merchandise Collection: Trail	Product Class: Soft Shell Tops					
Designer: nzan	Developer: jenchen	LO Developer: mbal		Sourcing Manager: melissa.gallagher			
Fit Engineer: jenchen							
Design:	F4WO208502	Sample LO:	Production LO: India				
Style	Material Style	Style Description	Pattern	Base Size	Size Scale	Fit	SMU Type
WW1684	2085022	Kruser Ridge™ III Softshell Jacket	L18W8001	1X	1X - 3X	Regular	N/A



Component	Details	Placement	Usage	Width	Marker Width	010-Black	031-Cirrus Grey	607-Moonvista
SAP Material Code						2085021010	2085021031	2085022607
						2085022010	2085022031	2085023607
						2085023010	2085023031	2085021607
Hangtag Package Part	126967 Regular Fit Swing Tag		1 ea	0.0	0	Artwork	Artwork	Artwork
Hangtag Package Part	121612 MSRP/UPC with RFID Specs for MSRP. Please refer to VAS specs for any exceptions. MSRP required on all product shipping to the US.		1 ea	0.0	0	Artwork	Artwork	Artwork
Packaging 1	980001 Polybag See Standard CCS 4200 for specifications		1 ea	0.0	0	Stock	Stock	Stock
Packaging 2	980010 UPC Bag Sticker Generic (MHW/Columbia) See CCS4400/ 4401 and MHW4402 for Mt Hardware for instructions		1 ea	0.0	0	Artwork	Artwork	Artwork
Packaging 3	064194 Outer Carton for costing purpose only		1 ea	0.0	0	Stock	Stock	Stock

This is confidential and proprietary information of Columbia Sportswear Company. You agree that you will not disclose this information to any third party or use it for any purpose other than on behalf of Columbia. You have no right to use Columbia's name or any of its trademarks, trade names, copyrights, patents, designs or other intellectual property except as set forth in writing by Columbia.

Colorless BOM

Line Slot: Kruser Ridge III Softshell Jacket State: Production Season: F25
 Merchandise Division: Outerwear Merchandise Collection: Trail Product Class: Soft Shell Tops
 Designer: nzan Developer: jenchen LO Developer: mbal Sourcing Manager: melissa.gallagher
 Fit Engineer: jenchen



Design: F4WO20850 Sample LO: 2 Production LO: India
 Style Material Style Style Description Pattern Base Size Size Scale Fit SMU Type
 WW1684 2085022 Kruser Ridge™ III Softshell Jacket L18W8001 1X 1X - 3X Regular N/A

Component	Details	Placement	Usage	Width	Marker Width
SAP Material Code					
Shell 1	121277 PFC FREE Version of 032888 - Nexgen Contour Softshell Composite 100% Polyester 100% Polyester 156X132 75 X75 Durable Water Repellent (80/10HL) C0 PFOA/PFOS Free MaterialCoatingNone Adhesive - Dot Matrix 310.0 g/m2 Piece Dye/Jet and Jig NA		1.45 yd	55.0	0
Lining 1	119358 PFC Free Version of 064235 Nexgen Precision and Contour Softshell Face Only Twill 100% Polyester 160 X 136 75D/72F X 75D/72F MaterialFinishNone, Durable Water Repellent (80/10HL) C0 PFOA/PFOS Free MaterialCoatingNone MaterialLaminateNone 119.0 g/m2 Piece Dye/Jet NA		0.1 yd	58.0	0
Lining 2	074040 Improved Tricot Fleece - CJV Tricot 100% Polyester 28 Brushed (Tech Face) MaterialCoatingNone MaterialLaminateNone 145.0 g/m2 Piece Dye/Jet NA		0.04 yd	60.0	0
Lining 3	004476 FOR POCKETING AND YOUTH STYLES ONLY Chamois Touch Tricot Tricot 100% Polyester 28 Anti-pill (face), Brushed (Tech Face) 80.0 g/m2 Piece Dye/Jet NA		0.11 yd	60.0	0
Interfacing 1	110671 Recycled Interlining Sew-In Non-Woven Lightweight Soft SAME AS VIRGIN VERSION 011958 Interlining 80% Recycled Polyester, 20% Viscose 30.0 g/m2		0.08 yd	39.0	0
Direct Embroidery 1	003374 64mm (B) Bug Columbia Logo Embroidery 1 clr Est st ct 1570. Width: 64.0 Height: 11.6		1 ea	0.0	0

Colorless BOM

Line Slot: Kruser Ridge III Softshell Jacket State: Production Season: F25
 Merchandise Division: Outerwear Merchandise Collection: Trail Product Class: Soft Shell Tops
 Designer: nzan Developer: jenchen LO Developer: mbal Sourcing Manager: melissa.gallagher
 Fit Engineer: jenchen



Design: F4WO20850 Sample LO: 2 Production LO: India
 Style Material Style Style Description Pattern Base Size Size Scale Fit SMU Type
 WW1684 2085022 Kruser Ridge™ III Softshell Jacket L18W8001 1X 1X - 3X Regular N/A

Component	Details	Placement	Usage	Width	Marker Width
SAP Material Code					
Drawcord-Cording-Laces 1	380083 2.5mm OD Stretch Drawcord Polyester/ 1 color Outside Diameter: 2.5		1.75 yd	0.0	0
Drawcord-Cording-Laces 2	008166 1.5mm non stretch drawcord w/ticks 2 clr (ECO version use 082935)		0.7 yd	0.0	0
Eyelets-Grommets 1	420001 5 mm ID Metal Eyelet.. 1 clr finish. Use 059589 for enamel DTM color. Inside Diameter: 5.0 Outside Diameter: 10.0		2 set	0.0	0
Label Logo 1	059197 USE ONLY FOR ALL ADULT sizes AND YOUTH S-XL 42mm x 8mm Lightweight Stripe woven ECO Hanger Loop DOWN 2 clr other colors w Director approval only		1 ea	0.0	0
Thread 1	110529 Coats Astra EV spun Polyester Tex 30		34.5 meter	0.0	0
Thread 2	008214 Coats ASTRA Spun Polyester Tex 27 40/2		507.15 meter	0.0	0
Toggle 1	500058 3.5mm ID Round Barrel Two Hole Toggle Nylon 1clr metal content Length: 18.0 Width: 8.0 Inside Diameter: 3.5		2 ea	0.0	0
Washer 1	002614 Plastic Washer (Polyurethane) (use on all Snap Stud and Post or Eyelets if needed) Clear CAN BE USED FOR YOUTH		2 ea	0.0	0
Webbing and Tape 1	360183 3/4 in W Foldover (3/8 to show) Woven Stretch Binding 1 clr FOR CAN STYLES PRODUCED IN VN use 110808 Width: 0.75		0.62 yd	0.0	0
Webbing and Tape 2	013891 1/4 inch Grosgrain Tape 1 clr (ECO version is 083473)		0.15 yd	0.0	0
Zipper 1	002673 CNFOL-56 DA8BLH H3 P-TOP REVERSE OpenEnd Left-in AutoLk LargeHole AntSilver Sldr/PI PlasticTopStop RevCoil CAN BE USED FOR CHILDREN Metal content Length: 8.0		1 ea	0.0	0
Zipper 2	080717 CFC-36 DALH H3 T-B-0 Clsd AutoLk Lg Hole PI AntSilver Sldr/PI No Stps Metal content YKK PRICE POINT ONLY Length: 4.0		2 ea	0.0	0
Label 1	059200 40mm CSC International Size Extended Woven ECO Loop Label for use with Hanger Loop		1 ea	0.0	0
Label 2	006564 33mm Care Content ECO Booklet Fold label with fully translated country of origin WHT/BLK for most, BLK/WHT for Titanium only, GRY/BLK is for Garment DYE ONLY- waiting on updated artwork		1 ea	0.0	0
Hangtag Package Part	097038 Columbia Omni-Shield Hangtag		1 ea	0.0	0

Colorless BOM

Line Slot: Kruser Ridge III Softshell Jacket State: Production Season: F25
 Merchandise Division: Outerwear Merchandise Collection: Trail Product Class: Soft Shell Tops
 Designer: nzan Developer: jenchen LO Developer: mbal Sourcing Manager: melissa.gallagher
 Fit Engineer: jenchen
 Design: F4WO20850 Sample LO: 2 Production LO: India
 Style Material Style Style Description Pattern Base Size Size Scale Fit SMU Type
 WW1684 2085022 Kruser Ridge™ III Softshell Jacket L18W8001 1X 1X - 3X Regular N/A



Component	Details	Placement	Usage	Width	Marker Width
SAP Material Code					
Hangtag Package Part	126967 Regular Fit Swing Tag		1 ea	0.0	0
Hangtag Package Part	121612 MSRP/UPC with RFID Specs for MSRP. Please refer to VAS specs for any exceptions. MSRP required on all product shipping to the US.		1 ea	0.0	0
Packaging 1	980001 Polybag See Standard CCS 4200 for specifications		1 ea	0.0	0
Packaging 2	980010 UPC Bag Sticker Generic (MHW/Columbia) See CCS4400/ 4401 and MHW4402 for Mt Hardwear for instructions		1 ea	0.0	0
Packaging 3	064194 Outer Carton for costing purpose only		1 ea	0.0	0

This is confidential and proprietary information of Columbia Sportswear Company. You agree that you will not disclose this information to any third party or use it for any purpose other than on behalf of Columbia. You have no right to use Columbia's name or any of its trademarks, trade names, copyrights, patents, designs or other intellectual property except as set forth in writing by Columbia.

Color Specification

Line Slot: Kruser Ridge III Softshell Jacket

State: Production

Season: F25

Merchandise Division: Outerwear

Merchandise Collection: Trail

Product Class: Soft Shell Tops

Designer: nzan

Developer: jenchen

LO Developer: mbal

Sourcing Manager: melissa.gallagher

Fit Engineer: jenchen



Design: F4WO208502

Sample LO:

Production LO: India

Style Material Style

Style Description Pattern

Base Size Size Scale

Fit

SMU Type

WW1684

2085022

Kruser Ridge™ III
Softshell Jacket L18W8001

1X

1X - 3X

Regular

N/A

Component - Material	010-Black	031-Cirrus Grey	607-Moonvista
Shell 1 - 121277	Black, Black	Cirrus Grey, Cirrus Grey	Moonvista, Moonvista
Lining 1 - 119358	Black	Cirrus Grey	Moonvista
Lining 2 - 074040			
Lining 3 - 004476			
Drawcord-Cording-Laces 1 - 380083			
Webbing and Tape 1 - 360183			
Zipper 1 - 002673			
Zipper 2 - 080717			
Interfacing 1 - 110671	White	White	White
Direct Embroidery 1 - 003374	Columbia Grey	White	Columbia Grey
Drawcord-Cording-Laces 2 - 008166	Black, Grill	Columbia Grey, Grill	Moonvista, Fig
Eyelets-Grommets 1 - 420001	Matte Black Copper Finish	Antique Silver Finish	Black Nickel Finish
Label Logo 1 - 059197	Columbia Grey, Grill	Columbia Grey, Grill	Columbia Grey, Grill
Thread 1 - 110529	DTM	DTM	DTM
Thread 2 - 008214			
Toggle 1 - 500058	Black	White	Moonvista
Webbing and Tape 2 - 013891			
Washer 1 - 002614	Clear	Clear	Clear
Label 1 - 059200	White, Columbia Grey, Compass Blue	White, Columbia Grey, Compass Blue	White, Columbia Grey, Compass Blue
Label 2 - 006564	White, Black	White, Black	White, Black
Hangtag Package Part - 097038	Artwork	Artwork	Artwork
Hangtag Package Part - 126967			
Hangtag Package Part - 121612			
Packaging 2 - 980010			
Packaging 1 - 980001	Stock	Stock	Stock
Packaging 3 - 064194			

This is confidential and proprietary information of Columbia Sportswear Company. You agree that you will not disclose this information to any third party or use it for any purpose other than on behalf of Columbia. You have no right to use Columbia's name or any of its trademarks, trade names, copyrights, patents, designs or other intellectual property except as set forth in writing by Columbia.

Costing BOM

Line Slot: Kruser Ridge III Softshell Jacket

State: Production

Season: F25

Merchandise Division: Outerwear

Merchandise Collection: Trail

Product Class: Soft Shell Tops

Designer: nzan

Developer: jenzen

LO Developer: mbal

Sourcing Manager: melissa.gallagher

Fit Engineer: jenzen



Design: F4WO208502

Sample LO:

Production LO: India

Style Material Style

Style Description Pattern

Base Size Size Scale

Fit SMU Type

WW1684 2085022

Kruser Ridge™ III L18W8001
Softshell Jacket

1X 1X - 3X

Regular N/A

Colorway Number	Color Way	FOB Material	CIF Material	FOB Trim	CIF Trim	Allowance %	Total FOB	Total CIF
010	Black	6.872	0.000	1.283	0.000	0.0	8.155	0.000
031	Cirrus Grey	6.872	0.000	1.283	0.000	0.0	8.155	0.000
607	Moonvista	6.872	0.000	1.283	0.000	0.0	8.155	0.000

Costing BOM

Line Slot: Kruser Ridge III Softshell Jacket

State: Production

Season: F25

Merchandise Division: Outerwear

Merchandise Collection: Trail

Product Class: Soft Shell Tops

Designer: nzan

Developer: jenchon

LO Developer: mbal

Sourcing Manager: melissa.gallagher

Fit Engineer: jenchon



Design: F4WO208502

Sample LO:

Production LO: India

Style Material Style

Style Description Pattern

Base Size Size Scale

Fit SMU Type

WW1684

2085022

Kruser Ridge™ III L18W8001
Softshell Jacket

1X

1X - 3X

Regular

N/A

Component	Material	Description	Fabric Width	Supplier	Locked	Country of Origin	Managin g Liaison Office	UoM	Target Cost	FOB Unit Cost	CIF Unit Cost	Usage	Wastage %	Total FOB	Total CIF
Shell 1	121277	PFC FREE Version of 032888 - Nexgen Contour Softshell	55.0	Jiaxing Deyong Textiles Co Ltd (JDT)	N	China	Taiwan- Taipei	yd	4.5	4.37	0.0	1.450	3	6.527	0.000
Lining 1	119358	PFC Free Version of 064235 Nexgen Precision and Contour Softshell Face Only	58.0	Apex Textile Co. Ltd.	N	China	Taiwan- Taipei	yd	0.0	1.94	0.0	0.100	5	0.204	0.000
Lining 2	074040	Improved Tricot Fleece - CJV	60.0	HTT Insprite (Xiamen) Imp & Exp Co. Ltd.	N	China	Taiwan- Taipei	yd	0.0	0.9	0.0	0.040	7	0.039	0.000

Costing BOM

Line Slot: Kruser Ridge III Softshell Jacket

State: Production

Season: F25

Merchandise Division: Outerwear

Merchandise Collection: Trail

Product Class: Soft Shell Tops

Designer: nzan

Developer: jenchen

LO Developer: mbal

Sourcing Manager: melissa.gallagher

Fit Engineer: jenchen



Design: F4WO208502

Sample LO:

Production LO: India

Style Material Style

Style Description Pattern

Base Size Size Scale

Fit SMU Type

WW1684

2085022

Kruser Ridge™ III L18W8001
Softshell Jacket

1X

1X - 3X

Regular

N/A

Component	Material	Description	Fabric Width	Supplier	Locked	Country of Origin	Managing Liaison Office	UoM	Target Cost	FOB Unit Cost	CIF Unit Cost	Usage	Wastage %	Total FOB	Total CIF
Lining 3	004476	FOR POCKETING AND YOUTH STYLES ONLY Chamois Touch Tricot	60.0	Haren Textiles Pvt. Ltd.	Y	India	India	yd	0.0	0.68	0.0	0.110	7	0.080	0.000
Interfacing 1	110671	Recycled Interlining Sew-In Non-Woven Lightweight Soft SAME AS VIRGIN VERSION 011958	39.0	Freudenberg-Hong Kong	N	Taiwan	Taiwan-Taipei	yd	0.0	0.27	0.0	0.080	3	0.022	0.000
Direct Embroidery 1	003374	64mm (B) Bug Columbia Logo Embroidery 1 clr Est st ct 1570.	0.0	Contractor	N	unassigned	Hong Kong	ea	0.0	0.0	0.0	1.000	2.0	0.000	0.000
Drawcord-Cording-Laces 1	380083	2.5mm OD Stretch Drawcord Polyester/ 1 color	0.0	Paiho Global	N	Taiwan	Taiwan-Taipei	yd	0.0	0.058	0.0	1.750	7.0	0.109	0.000

Costing BOM

Line Slot: Kruser Ridge III Softshell Jacket

State: Production

Season: F25

Merchandise Division: Outerwear

Merchandise Collection: Trail

Product Class: Soft Shell Tops

Designer: nzan

Developer: jenchen

LO Developer: mbal

Sourcing Manager: melissa.gallagher

Fit Engineer: jenchen



Design: F4WO208502

Sample LO:

Production LO: India

Style Material Style

Style Description Pattern

Base Size Size Scale

Fit SMU Type

WW1684

2085022

Kruser Ridge™ III L18W8001
Softshell Jacket

1X

1X - 3X

Regular

N/A

Component	Material	Description	Fabric Width	Supplier	Locked	Country of Origin	Managing Liaison Office	UoM	Target Cost	FOB Unit Cost	CIF Unit Cost	Usage	Wastage %	Total FOB	Total CIF
Drawcord-Cording-Laces 2	008166	1.5mm non stretch drawcord w/ticks 2 clr (ECO version use 082935)	0.0	FGV - Shahi Exports Pvt. (SEP) Ltd.	Y	India	India	yd	0.0	0.045	0.0	0.700	7.0	0.034	0.000
Eyelets-Grommets 1	420001	5 mm ID Metal Eyelet.. 1 clr finish. Use 059589 for enamel DTM color.	0.0	Unitex International Button Accessories Ltd	N	China	Portland	set	0.0	0.0096	0.0	2.000	3.0	0.020	0.000
Label Logo 1	059197	USE ONLY FOR ALL ADULTSIZES AND YOUTH S-XL 42mm x 8mm Lightweight Stripe woven ECO Hanger Loop DOWN 2 clr other colors w Director approval only	0.0	Avery Dennison Global	N	China	Portland	ea	0.0	0.024	0.0	1.000	5.0	0.025	0.000

Costing BOM

Line Slot: Kruser Ridge III Softshell Jacket

State: Production

Season: F25

Merchandise Division: Outerwear

Merchandise Collection: Trail

Product Class: Soft Shell Tops

Designer: nzan

Developer: jenchen

LO Developer: mbal

Sourcing Manager: melissa.gallagher

Fit Engineer: jenchen



Design: F4WO208502

Sample LO:

Production LO: India

Style Material Style

Style Description Pattern

Base Size Size Scale

Fit SMU Type

WW1684 2085022

Kruser Ridge™ III L18W8001
Softshell Jacket

1X 1X - 3X

Regular N/A

Component	Material	Description	Fabric Width	Supplier	Locked	Country of Origin	Managing Liaison Office	UoM	Target Cost	FOB Unit Cost	CIF Unit Cost	Usage	Wastage %	Total FOB	Total CIF
Thread 1	110529	Coats Astra EV spun Polyester Tex 30	0.0	Coats Global Thread	N	unassigned	Portland	meter	0.0	0.00048	0.0	34.500	5.0	0.017	0.000
Thread 2	008214	Coats ASTRA Spun Polyester Tex 27 40/2	0.0	Coats Global Thread	N	unassigned	Portland	meter	0.0	0.0003	0.0	507.150	5.0	0.160	0.000
Toggle 1	500058	3.5mm ID Round Barrel Two Hole Toggle Nylon 1clr metal content	0.0	Unitex International Button Accessories Ltd	N	Vietnam	Portland	ea	0.0	0.0351	0.0	2.000	2.0	0.000	0.000
Washer 1	002614	Plastic Washer (Polyurethane) (use on all Snap Stud and Post or Eyelets if needed) Clear CAN BE USED FOR YOUTH	0.0	Unitex International Button Accessories Ltd	N	China	Portland	ea	0.0	0.00559	0.0	2.000	3.0	0.012	0.000

Costing BOM

Line Slot: Kruser Ridge III Softshell Jacket

State: Production

Season: F25

Merchandise Division: Outerwear

Merchandise Collection: Trail

Product Class: Soft Shell Tops

Designer: nzan

Developer: jenchen

LO Developer: mbal

Sourcing Manager: melissa.gallagher

Fit Engineer: jenchen



Design: F4WO208502

Sample LO:

Production LO: India

Style Material Style

Style Description Pattern

Base Size Size Scale

Fit SMU Type

WW1684 2085022

Kruser Ridge™ III L18W8001
Softshell Jacket

1X 1X - 3X

Regular N/A

Component	Material	Description	Fabric Width	Supplier	Locked	Country of Origin	Managing Liaison Office	UoM	Target Cost	FOB Unit Cost	CIF Unit Cost	Usage	Wastage %	Total FOB	Total CIF
Webbing and Tape 1	360183	3/4 in W Foldover (3/8 to show) Woven Stretch Binding 1 clr FOR CAN STYLES PRODUCED IN VN use 110808	0.0	Paiho Global	N	Taiwan	Taiwan-Taipei	yd	0.0	0.16	0.0	0.620	7.0	0.106	0.000
Webbing and Tape 2	013891	1/4 inch Grosgrain Tape 1 clr (ECO version is 083473)	0.0	Paiho Global	N	Taiwan	Taiwan-Taipei	yd	0.2	0.044	0.0	0.150	7.0	0.007	0.000

Costing BOM

Line Slot: Kruser Ridge III Softshell Jacket

State: Production

Season: F25

Merchandise Division: Outerwear

Merchandise Collection: Trail

Product Class: Soft Shell Tops

Designer: nzan

Developer: jenchen

LO Developer: mbal

Sourcing Manager: melissa.gallagher

Fit Engineer: jenchen



Design: F4WO208502

Sample LO:

Production LO: India

Style Material Style

Style Description Pattern

Base Size Size Scale

Fit SMU Type

WW1684

2085022

Kruser Ridge™ III L18W8001
Softshell Jacket

1X

1X - 3X

Regular

N/A

Component	Material	Description	Fabric Width	Supplier	Locked	Country of Origin	Managing Liaison Office	UoM	Target Cost	FOB Unit Cost	CIF Unit Cost	Usage	Wastage %	Total FOB	Total CIF
Zipper 1	002673	CNFOL-56 DA8BLH H3 P- TOP REVERSE OpenEnd Left-in AutoLk LargeHole AntSilver Sldr/PI PlasticTopStop RevCoil CAN BE USED FOR CHILDREN Metal content	0.0	YKK Global	N	Taiwan	Portland	ea	0.0	0.2745	0.0	1.000	1.0	0.405	0.000
Zipper 2	080717	CFC-36 DALH H3 T-B-0 Clsd AutoLk Lg Hole PI AntSilver Sldr/PI No Stps Metal content YKK PRICE POINT ONLY	0.0	YKK Global	N	unassigned	Portland	ea	0.0	0.0889	0.0	2.000	1.0	0.211	0.000

Costing BOM

Line Slot: Kruser Ridge III Softshell Jacket

State: Production

Season: F25

Merchandise Division: Outerwear

Merchandise Collection: Trail

Product Class: Soft Shell Tops

Designer: nzan

Developer: jenchen

LO Developer: mbal

Sourcing Manager: melissa.gallagher

Fit Engineer: jenchen



Design: F4WO208502

Sample LO:

Production LO: India

Style Material Style

Style Description Pattern

Base Size Size Scale

Fit SMU Type

WW1684 2085022

Kruser Ridge™ III L18W8001
Softshell Jacket

1X 1X - 3X

Regular N/A

Component	Material	Description	Fabric Width	Supplier	Locked	Country of Origin	Managing Liaison Office	UoM	Target Cost	FOB Unit Cost	CIF Unit Cost	Usage	Wastage %	Total FOB	Total CIF
Label 1	059200	40mm CSC International Size Extended Woven ECO Loop Label for use with Hanger Loop	0.0	Manohar Filaments	Y	India	India	ea	0.0	0.0461	0.0	1.000	3.0	0.047	0.000
Label 2	006564	33mm Care Content ECO Booklet Fold label with fully translated country of origin WHT/BLK for most, BLK/WHT for Titanium only, GRY/BLK is for Garment DYE ONLY- waiting on updated artwork	0.0	Avery Dennison Global	N	China	Portland	ea	0.0	0.016	0.0	1.000	3.0	0.016	0.000

Costing BOM

Line Slot: Kruser Ridge III Softshell Jacket

State: Production

Season: F25

Merchandise Division: Outerwear

Merchandise Collection: Trail

Product Class: Soft Shell Tops

Designer: nzan

Developer: jenchen

LO Developer: mbal

Sourcing Manager: melissa.gallagher

Fit Engineer: jenchen



Design: F4WO208502

Sample LO:

Production LO: India

Style Material Style

Style Description Pattern

Base Size Size Scale

Fit SMU Type

WW1684 2085022

Kruser Ridge™ III L18W8001
Softshell Jacket

1X 1X - 3X

Regular N/A

Component	Material	Description	Fabric Width	Supplier	Locked	Country of Origin	Managing Liaison Office	UoM	Target Cost	FOB Unit Cost	CIF Unit Cost	Usage	Wastage %	Total FOB	Total CIF
Hangtag Package Part	121612	MSRP/UPC with RFID Specs for MSRP. Please refer to VAS specs for any exceptions. MSRP required on all product shipping to the US.	0.0	Avery Dennison Global	N	unassigned	Portland	ea	0.0	0.04875	0.0	1.000	5.0	0.051	0.000
Hangtag Package Part	126967	Regular Fit Swing Tag	0.0	Hang Sang Press Co. Ltd	N	unassigned	Portland	ea	0.0	0.023	0.0	1.000	3.0	0.024	0.000
Hangtag Package Part	097038	Columbia Omni-Shield Hangtag	0.0	Hang Sang Press Co. Ltd	N	unassigned	Portland	ea	0.0	0.0273	0.0	1.000	3.0	0.028	0.000

Costing BOM

Line Slot: Kruser Ridge III Softshell Jacket

State: Production

Season: F25

Merchandise Division: Outerwear

Merchandise Collection: Trail

Product Class: Soft Shell Tops

Designer: nzan

Developer: jenchen

LO Developer: mbal

Sourcing Manager: melissa.gallagher

Fit Engineer: jenchen



Design: F4WO208502

Sample LO:

Production LO: India

Style Material Style

Style Description Pattern

Base Size Size Scale

Fit SMU Type

WW1684 2085022

Kruser Ridge™ III L18W8001
Softshell Jacket

1X 1X - 3X

Regular N/A

Component	Material	Description	Fabric Width	Supplier	Locked	Country of Origin	Managing Liaison Office	UoM	Target Cost	FOB Unit Cost	CIF Unit Cost	Usage	Wastage %	Total FOB	Total CIF
Packaging 1	980001	Polybag See Standard CCS 4200 for specifications	0.0	Contractor	N	unassigned	Hong Kong	ea	0.0	0.0	0.0	1.000	3.0	0.000	0.000
Packaging 2	980010	UPC Bag Sticker Generic (MHW/Columbia) See CCS4400/4401 and MHW4402 for Mt Hardware for instructions	0.0	Avery Dennison Global	Y	China	Portland	ea	0.0	0.01089	0.0	1.000	5.0	0.011	0.000
Packaging 3	064194	Outer Carton for costing purpose only	0.0	Contractor	N	unassigned	Hong Kong	ea	0.0	0.0	0.0	1.000	3.0	0.000	0.000

Costing BOM

Line Slot: Kruser Ridge III Softshell Jacket

State: Production

Season: F25

Merchandise Division: Outerwear

Merchandise Collection: Trail

Product Class: Soft Shell Tops

Designer: nzan

Developer: jenchen

LO Developer: mbal

Sourcing Manager: melissa.gallagher

Fit Engineer: jenchen



Design: F4WO208502

Sample LO:

Production LO: India

Style Material Style

Style Description Pattern

Base Size Size Scale

Fit SMU Type

WW1684

2085022

Kruser Ridge™ III L18W8001
Softshell Jacket

1X

1X - 3X

Regular

N/A

This is confidential and proprietary information of Columbia Sportswear Company. You agree that you will not disclose this information to any third party or use it for any purpose other than on behalf of Columbia. You have no right to use Columbia's name or any of its trademarks, trade names, copyrights, patents, designs or other intellectual property except as set forth in writing by Columbia.

Instructions

Line Slot: Kruser Ridge III Softshell Jacket State: Production Season: F25
 Merchandise Division: Outerwear Merchandise Collection: Trail Product Class: Soft Shell Tops
 Designer: nzan Developer: jenchen LO Developer: mbal Sourcing Manager: melissa.gallagher
 Fit Engineer: jenchen



Design: F4WO20850 Sample LO: 2 Production LO: India
 Style: WW1684 Material Style: 2085022 Style Description: Kruser Ridge™ III Softshell Jacket Pattern: L18W8001 Base Size: 1X Size Scale: 1X - 3X Fit: Regular SMU Type: N/A

Category	Subcategory	Description	Comments
CONSTRUCTION	SAFETY STITCH	5-SPOOL, 3/8 IN SEAM ALLOWANCE (NO TRIM). 10/12 STITCHES PER INCH FOR OUTERWEAR, HUNTING AND FISHING. APPLY TO ALL SEAMS THAT MAY RAVEL.(ISO#516)	
MISCELLANEOUS	EMBROIDERY	USE LIGHT WEIGHT TEAR AWAY INTERFACING FOR EMBROIDERY BACKING – UP TO 2 LAYERS AS NEEDED FOR REINFORCEMENT PREFERRED VENDOR IS FREUDENBERG ITEM #AO151 BASIC TEAR AWAY BACKING 36g/m2 LIGHT 0.28/m @ 100cm WIDE	
BARTACKS	BARTACK FUNCTIONAL	LENGTH - SIZED TO FIT	(4) CF Zipper (4/2) Lower Front Pocket Zippers (4/2) Lower Front Pocket Opening (2/1) Hem Toggle Tethers (2/1) Join Cuff Binding

This is confidential and proprietary information of Columbia Sportswear Company. You agree that you will not disclose this information to any third party or use it for any purpose other than on behalf of Columbia. You have no right to use Columbia's name or any of its trademarks, trade names, copyrights, patents, designs or other intellectual property except as set forth in writing by Columbia.

Care Report

Line Slot: Kruser Ridge III Softshell Jacket		State: Production		Season: F25			
Merchandise Division: Outerwear		Merchandise Collection: Trail		Product Class: Soft Shell Tops			
Designer: nzan		Developer: jenchen		LO Developer: mbal			
Fit Engineer: jenchen				Sourcing Manager: melissa.gallagher			
Design:	F4WO208502	Sample LO:		Production LO:	India		
Style	Material Style	Style Description	Pattern	Base Size	Size Scale	Fit	SMU Type
WW1684	2085022	Kruser Ridge™ III Softshell Jacket	L18W8001	1X	1X - 3X	Regular	N/A



Care Code: 2012		Color Way Number	Color Way Name
English	Machine Wash Cold, Wash Separately, Do Not Bleach, Tumble Dry Low, Do Not Iron, Do Not Use Fabric Softener, Do Not Dryclean		
French	Lavage machine à froid, Laver séparément, Ne pas utiliser d'eau de javel, Séchage machine, basse température, Ne pas repasser, Ne pas utiliser d'assouplissant, Nettoyage à sec interdit	010	Black
German	Maschinenwäsche kalt, Separat waschen, Keine Bleichmittel verwenden, Trocknen im Wäschetrockner bei niedriger Temperatur, Nicht bügeln, Keine Weichspüler verwenden, Nicht chemisch reinigen	031	Cirrus Grey
Portuguese	Lavar à maquina com água fria, Lavar separadamente, Não alvejar, Secar à máquina em temperatura baixa, Não passar a ferro, Não usar amaciante, Não utilizar limpeza a seco	607	Moonvista
Spanish	Lavar a máquina con agua fría, Lavar por separado, No usar lejía, Usar secadora a temperatura baja, No planchar, No usar suavizante de telas, No lavar en seco		
Italian	Lavare in lavatrice in acqua fredda, Lavare separatamente, Non candeggiare, Asciugare a tamburo a bassa temperatura, Non stirare, Non utilizzare ammorbidente, Non lavare a secco		
Russian	Машинная стирка в холодной воде, Стирать отдельно, Не отбеливать, Сушить при низкой температуре, Не гладить, Не использовать кондиционер для тканей, Химчистка запрещена		
Czech Republic	Praní v pračce při nízké teplotě, Prát samostatně, Nebělit, Sušení v sušičce, nízká teplota, Nežehlit, Nepoužívat aviváž, Nečistit chemicky		
Hebrew	כביסה במכונה במים קרים, לכבס בנפרד, לא להלבין, לייבש במייבש כביסה בחום נמוך, לא לגהץ, לא להשתמש במרכז כביסה, לא לנקות בניקוי יבש		
Hungarian	Géppel mossa, hideg vízzel, Különválasztva mossa, Ne használjon fehérítőt, Szárítógépben alacsony hőfokon szárítsa, Ne vasalja, Ne használjon öblítőszeret, Ne vegytisztítsa		
Polish	Prac w temperaturze nie przekraczającej 30°C, Prac oddzielnie, Nie chlorować, Można suszyć bębnowo, niska temperatura, Nie prasować, Nie używać zmiękczacza do tkanin, Nie czyścić chemicznie		
Portuguese Brazil	Lavar à maquina com água fria, Lavar separadamente, Não alvejar, Secar em tambor rotativo em temperatura baixa, Não passar a ferro, Não usar amaciante, Não utilizar limpeza a seco		
Slovakian	Perte v pračce v studenej vode, Perte oddelene, Neodfarbujte, Sušte v bubnovej sušičke pri nízkych otáčkach, Nežehlite, Nepoužívajte avivážne prípravky, Nečistite chemicky		
Slovenian	Mrzlo strojno pranje, Prati posebej, Ne belite, Nizko strojno sušenje, Ne likati, Ne uporabljati mehčalca, Ne suho čistiti		
Spanish Latin American	Lavar a máquina con agua fría, Lavar por separado, No usar blanqueador, Usar secadora a temperatura baja, No planchar, No usar suavizante de telas, No lavar en seco		
Turkish	Makinada Yıkandır, Soğuk, Ayrı Yıkayın, Ağartıcı Kullanmayın, Tambur Kurutma, Düşük, Ütülemeyin, Çamaşır Yumuşatıcısı Kullanmayın, Kuru Temizleme Yapmayın		
Chinese Simplified	冷水机洗, 分开洗涤, 请勿漂白, 低温滚筒烘干, 请勿熨烫, 请勿使用织物柔软剂, 请勿干洗		
Chinese Traditional	冷水機洗, 分開洗滌, 請勿漂白, 低溫滾筒烘乾, 請勿熨燙, 請勿使用織物柔軟劑, 請勿乾洗		
Japanese	洗濯機水洗い, 個別に洗濯してください, 漂白剤使用不可, 乾燥機使用可 (低温), アイロン使用不可, 柔軟剤の使用不可, ドライクリーニング不可		
Korean	가, 가, 가,		
Danish	Kold maskinvask, Vask separat, Må ikke afbleges, Tør i tørretumbler, lav, Brug ikke strygejern, Brug ikke skyllemiddel, Må ikke renses kemisk		
Norwegian	Maskinvask kald, Vaskes separat, Må ikke blekes, Tørketrommel, lav, Skal ikke strykes, Ikke bruk tøyrykner, Skal ikke renses		
Swedish	Maskintvättas kallt, Tvättas separat, Får inte blekas, Torktumlas på låg nivå, Får inte strykas, Sköljmedel får inte användas, Kemtvättas inte		
Dutch	Koud wassen in wasmachine, Apart wassen, Niet bleken, In droger op laag, Niet strijken, Geen wasverzachter gebruiken, Niet laten stomen		

Care Report

Line Slot: Kruser Ridge III Softshell Jacket

State: Production

Season: F25

Merchandise Division: Outerwear

Merchandise Collection: Trail

Product Class: Soft Shell Tops

Designer: nzan

Developer: jenchen

LO Developer: mbal

Sourcing Manager: melissa.gallagher

Fit Engineer: jenchen



Design: F4WO208502

Sample LO:

Production LO: India

Style Material Style

Style Description Pattern

Base Size Size Scale

Fit SMU Type

WW1684 2085022

Kruser Ridge™ III L18W8001
Softshell Jacket

1X 1X - 3X

Regular N/A

French Canadian

Laver à la machine à l'eau froide, Laver séparément, Ne pas utiliser d'agent de blanchiment, Séchage par culbutage à basse température, Ne pas repasser, Ne pas utiliser d'assouplisseur, Ne pas nettoyer à sec



Content Report

Line Slot: Kruser Ridge III Softshell Jacket		State: Production		Season: F25			
Merchandise Division: Outerwear	Merchandise Collection: Trail	Product Class: Soft Shell Tops					
Designer: nzan	Developer: jenchen	LO Developer: mbal		Sourcing Manager: melissa.gallagher			
Fit Engineer: jenchen							
Design:	F4WO208502	Sample LO:	Production LO:	India			
Style	Material Style	Style Description	Pattern	Base Size	Size Scale	Fit	SMU Type
WW1684	2085022	Kruser Ridge™ III Softshell Jacket	L18W8001	1X	1X - 3X	Regular	N/A



CONTENT CODE: AMP		Color Way Number	Color Way Name
Shell Face: 100% Polyester		607	Moonvista
Shell Back: 100% Polyester		010	Black
Lining: 100% Polyester Exclusive of Trimming		031	Cirrus Grey
FRENCH	Tissu de la partie avant: 100% Polyester Tissu de la partie arrière: 100% Polyester Doublure: 100% Polyester Sauf les bordures		
GERMAN	Außenhülle Vorderteil: 100% Polyester Rückenteil Außenhülle Rückenteil: 100% Polyester Futter: 100% Polyester Ohne Besatz		
PORTUGUESE	Exterior anterior: 100% Poliéster Exterior posterior: 100% Poliéster Revestimento: 100% Poliéster Sem orlas		
SPANISH	Parte delantera de la cubierta: 100% Poliéster Parte posterior de la cubierta: 100% Poliéster Revestimiento: 100% Poliéster Exclusivo de los ribetes		
ITALIAN	Parte anteriore guscio: 100% Poliestere Parte posteriore guscio: 100% Poliestere Fodera: 100% Poliestere Ad eccezione dei bordini		
RUSSIAN	Оболочка, лицо: 100% Полиэфир Оболочка, изнанка: 100% Полиэфир Подклад: 100% Полиэфир Без дополнительных деталей		
CZECH REPUBLICAN	Přední dík skořepiny: 100% Polyester Zadní díl skořepiny: 100% Polyester Podšívka: 100% Polyester Bez nášivek		
HEBREW	חזית המעטפת: 100% פוליאסטר גב המעטפת: 100% פוליאסטר בטנה: 100% פוליאסטר ללא קישוט		
HUNGARIAN	Külső elől: 100% Poliészter Külső hátul: 100% Poliészter Bélés: 100% Poliészter Szegélydíszen kívül		
POLISH	Wierzch powłoki: 100% Poliester Spód powłoki: 100% Poliester Podszewka: 100% Poliester Wyłączając naszywki		

Content Report

Line Slot: Kruser Ridge III Softshell Jacket

State: Production

Season: F25

Merchandise Division: Outerwear

Merchandise Collection: Trail

Product Class: Soft Shell Tops

Designer: nzan

Developer: jenchen

LO Developer: mbal

Sourcing Manager: melissa.gallagher

Fit Engineer: jenchen



Design: F4WO208502

Sample LO:

Production LO: India

Style Material Style

Style Description Pattern

Base Size Size Scale

Fit SMU Type

WW1684

2085022

Kruser Ridge™ III L18W8001
Softshell Jacket

1X

1X - 3X

Regular

N/A

PORTUGUESE BRAZIL	Exterior anterior:	100% Poliéster
	Exterior posterior:	100% Poliéster
	Forro:	100% Poliéster Sem adornos
SLOVAKIAN	Plášť, predná časť:	100% Polyester
	Plášť, zadná časť:	100% Polyester
	Podšívka:	100% Polyester Okrem lemovania
SLOVENIAN	Lice lupine:	100% Poliester
	Hrbet lupine:	100% Poliester
	Podloga:	100% Poliester Brez obrezovanja
SPANISH LATIN AMERICAN	Parte delantera de la cubierta:	100% Poliéster
	Parte posterior de la cubierta:	100% Poliéster
	Revestimiento:	100% Poliéster Exclusivo de los ribetes
TURKISH	Kabuk Ön:	100% Polyester
	Kabuk Arka:	100% Polyester
	Astar:	100% Polyester Süsler Hariç
CHINESE SIMPLIFIED	外壳正面:	100% 聚酯
	外壳背面:	100% 聚酯
	衬里:	100% 聚酯 不包括装饰品
CHINESE TRADITIONAL	外殼正面:	100% 聚酯
	外殼背面:	100% 聚酯
	襯裡:	100% 聚酯 不包括裝飾品
JAPANESE	シェル表:	100% ポリエステル
	シェル裏:	100% ポリエステル
	裏地:	100% ポリエステル 装飾品を除く
KOREAN	:	100%
	:	100%
	:	100%
DANISH	Forside af skal:	100% Polyester
	Bagside af skal:	100% Polyester
	Foring:	100% Polyester Inkluderer ikke kant

Content Report

Line Slot: Kruser Ridge III Softshell Jacket		State: Production		Season: F25			
Merchandise Division: Outerwear	Merchandise Collection: Trail	Product Class: Soft Shell Tops					
Designer: nzan	Developer: jenchen	LO Developer: mbal		Sourcing Manager: melissa.gallagher			
Fit Engineer: jenchen							
Design:	F4WO208502	Sample LO:		Production LO:	India		
Style	Material Style	Style Description	Pattern	Base Size	Size Scale	Fit	SMU Type
WW1684	2085022	Kruser Ridge™ III Softshell Jacket	L18W8001	1X	1X - 3X	Regular	N/A



NORWEGIAN	Skall forside:	100% Polyester
	Skall rygg:	100% Polyester
	Foring:	100% Polyester Eksklusiv trimming
SWEDISH	Ytterdel främre:	100% Polyester
	Ytterdel bakre:	100% Polyester
	Foder:	100% Polyester Utan trimming
DUTCH	Schelp-voorkant:	100% Polyester
	Schelp-achterkant:	100% Polyester
	Bekleding:	100% Polyester Exclusief trimmen
FRENCH CANADIAN	Tissu de la partie avant:	100% Polyester
	Tissu de la partie arrière:	100% Polyester
	Doublure:	100% Polyester Exclut les bordures

Pattern Piece Detail

Line Slot: Kruser Ridge III Softshell Jacket State: Production Season: F25
 Merchandise Division: Outerwear Merchandise Collection: Trail Product Class: Soft Shell Tops
 Designer: nzan Developer: jenchen LO Developer: mbal Sourcing Manager: melissa.gallagher
 Fit Engineer: jenchen

Design: F4WO20850 Sample LO: 2 Production LO: India
 Style Material Style Style Description Pattern Base Size Size Scale Fit SMU Type
 WW1684 2085022 Kruser Ridge™ III Softshell Jacket L18W8001 1X 1X - 3X Regular N/A



L18W8001 - PLUS

Component	Quantity	Long Description	Abbreviation	Code
Shell 1	1	BACK	BK	20001
Shell 1	2	FRONT YOKE	FTYK	10005
Shell 1	1	LEFT FRONT	LTFT	14001
Shell 1	1	RIGHT FRONT	RTFT	16001
Shell 1	2	SIDE BACK	SDBK	20002
Shell 1	2	SIDE FRONT	SDFT	10002
Shell 1	2	SLEEVE	SLV	30001
Shell 1	1	UNDER COLLAR	UNCLR	40003
Shell 1	1	UPPER BACK	UPBK	21001
Lining 1	1	BACK HEM FACING	BKHMFC	20008
Lining 1	2	FRONT HEM FACING	FTHMFC	10007
Lining 1	2	LOWER POCKET FACING	LWPKTFC	73003
Lining 1	2	POCKET STITCH	PKTSTCH	70031
Lining 2	1	TOP COLLAR	TPCLR	40002
Lining 3	2	LOWER POCKET	LWPKT	73001
Lining 3	4	ZIPPER END	ZIPEND	03038
Interfacing 1	2	POCKET STITCH	PKTSTCH	70031
Interfacing 1	1	TOP COLLAR	TPCLR	40002

This is confidential and proprietary information of Columbia Sportswear Company. You agree that you will not disclose this information to any third party or use it for any purpose other than on behalf of Columbia. You have no right to use Columbia's name or any of its trademarks, trade names, copyrights, patents, designs or other intellectual property except as set forth in writing by Columbia.

Measurements

Line Slot: Kruser Ridge III Softshell Jacket

State: Production

Season: F25

Merchandise Division: Outerwear

Merchandise Collection: Trail

Product Class: Soft Shell Tops

Designer: nzan

Developer: jenchen

LO Developer: mbal

Sourcing Manager: melissa.gallagher

Fit Engineer: jenchen



Design: F4WO208502

Sample LO:

Production LO: India

Style Material Style

Style Description Pattern

Base Size Size Scale

Fit SMU Type

WW1684

2085022

Kruser Ridge™ III L18W8001
Softshell Jacket

1X

1X - 3X

Regular

N/A

Sort Order		Use	Type	Placement	(+/-)	1X	2X	3X
Grade Rule: CSC Womens Extended Outerwear Tops - 1X-3X (1X) - NT - Block: null								
1101.0	CHEST WIDTH - circumference - 1 inch down from armhole seam	QC	Graded		0.0	51.0	55.0	59.0
1301.0	WAIST WIDTH POSITION - from CB neck seam		Graded		0.0	17.0	17.25	17.5
1400.0	WAIST WIDTH - circumference	QC	Graded		0.0	47.0	51.5	56.0
1610.0	SWEEP WIDTH - circumference	QC	Graded		0.0	52.5	56.5	60.5
2003.0	BACK BODY LENGTH - CB neck to edge of hem - group grade	QC	Graded		0.0	28.0	28.0	29.0
2203.0	SHOULDER WIDTH - Natural Shoulder - seam to seam	QC	Graded		0.0	18.5	19.5	20.5
2602.0	SLEEVE LENGTH - Long Sleeve - CB neck to hem edge	QC	Graded		0.0	35.0	35.75	36.5
2722.0	SLEEVE WIDTH - circumference - 1 inch down from armhole seam	QC	Graded		0.0	19.5	20.5	21.5
2822.0	ELBOW WIDTH - circumference - at mid point of under sleeve seam	QC	Graded		0.0	14.75	15.5	16.25
3002.0	SLEEVE OPENING - long sleeve (Relaxed) - circumference	QC	Graded		0.0	9.25	9.75	10.25
3004.0	SLEEVE OPENING - long sleeve (Extended) - circumference	QC	Graded		0.0	10.75	11.25	11.75
3450.0	NECK CIRCUMFERENCE - at seam	QC	Graded		0.0	20.5	21.5	22.5
3600.0	COLLAR LENGTH - at top	QC	Graded		0.0	20.5	21.5	22.5
3650.0	COLLAR HEIGHT - at CB	QC	Graded		0.0	2.5	2.5	2.5
3651.0	COLLAR HEIGHT - at CF	QC	Graded		0.0	2.5	2.5	2.5

Measurements

Line Slot: Kruser Ridge III Softshell Jacket

State: Production

Season: F25

Merchandise Division: Outerwear

Merchandise Collection: Trail

Product Class: Soft Shell Tops

Designer: nzan

Developer: jenchen

LO Developer: mbal

Sourcing Manager: melissa.gallagher

Fit Engineer: jenchen



Design: F4WO208502

Sample LO:

Production LO: India

Style Material Style

Style Description Pattern

Base Size Size Scale

Fit

SMU Type

WW1684

2085022

Kruser Ridge™ III L18W8001
Softshell Jacket

1X

1X - 3X

Regular

N/A

Sort Order		Use	Type	Placement	(+/-)	1X	2X	3X
6830.0	FINISHED ZIPPER LENGTH - lower front pocket opening		Varies By Style		0.125	7.0	7.0	7.0
930.0	Drawcord-Cording-Laces 1		Component		0.0	60.5	64.5	68.5
960.0	Drawcord-Cording-Laces 2		Component		0.0	7.0	7.0	7.0
3190.0	Webbing and Tape 1		Component		0.0	10.0	10.5	11.0
3210.0	Webbing and Tape 2		Component		0.0	2.25	2.25	2.25
3670.0	Zipper 1		Component		0.0	28.0	28.0	29.0
3690.0	Zipper 2		Component		0.0	8.0	8.0	8.0

This is confidential and proprietary information of Columbia Sportswear Company. You agree that you will not disclose this information to any third party or use it for any purpose other than on behalf of Columbia. You have no right to use Columbia's name or any of its trademarks, trade names, copyrights, patents, designs or other intellectual property except as set forth in writing by Columbia.

Technical

Line Slot: Kruser Ridge III Softshell Jacket		State: Production	Season: F25
Merchandise Division: Outerwear	Merchandise Collection: Trail	Product Class: Soft Shell Tops	
Designer: nzan	Developer: jenchen	LO Developer: mbal	Sourcing Manager: melissa.gallagher
Fit Engineer: jenchen			



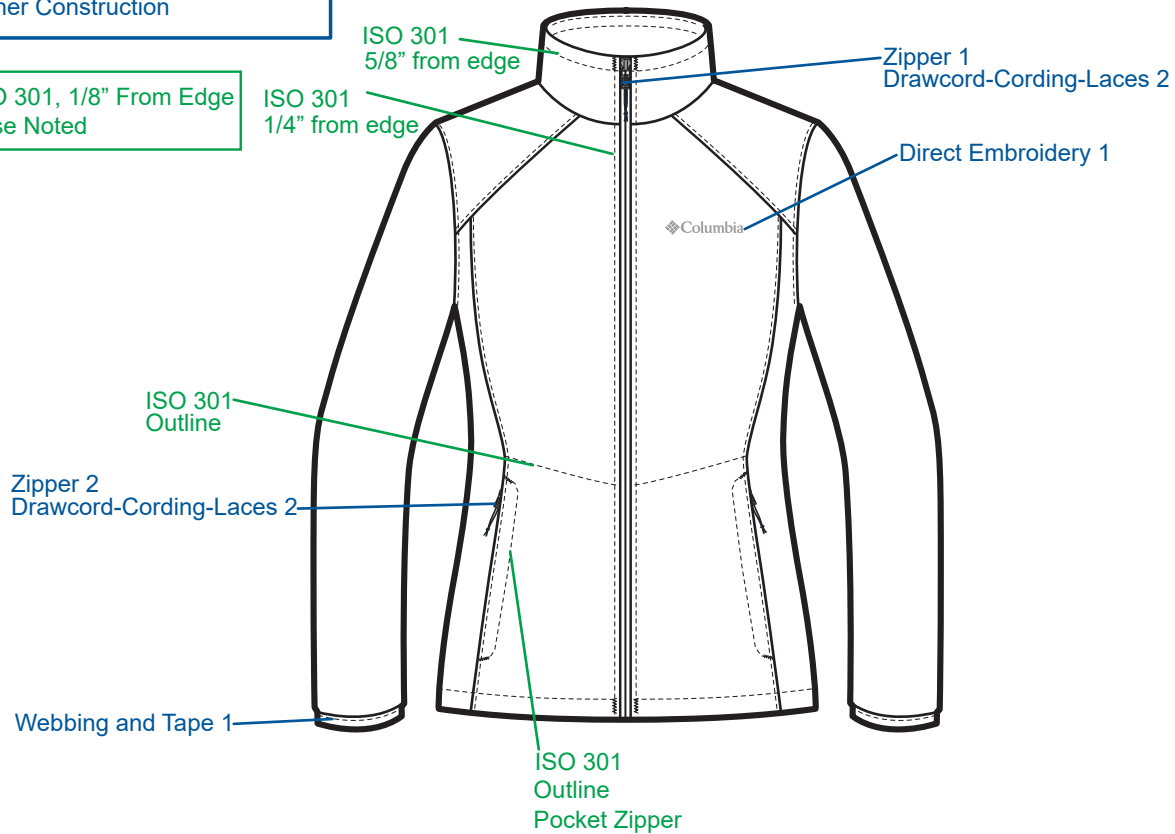
Design:	F4WO20850 2	Sample LO:		Production LO:	India		
Style	Material Style	Style Description	Pattern	Base Size	Size Scale	Fit	SMU Type
WW1684	2085022	Kruser Ridge™ III Softshell Jacket	L18W8001	1X	1X - 3X	Regular	N/A

Last Updated: 01.01.21 XX

*All Shell ① unless Indicated

Lining 1 Hand Pocket and Interior Hem facings
 Lining 2 Inside Collar
 Lining 3 Hand Pocket Bags
 Interfacing 1 Top Collar and Hand Pocket Flap
 Thread 1 - Topstitching
 Thread 2 - All other Construction

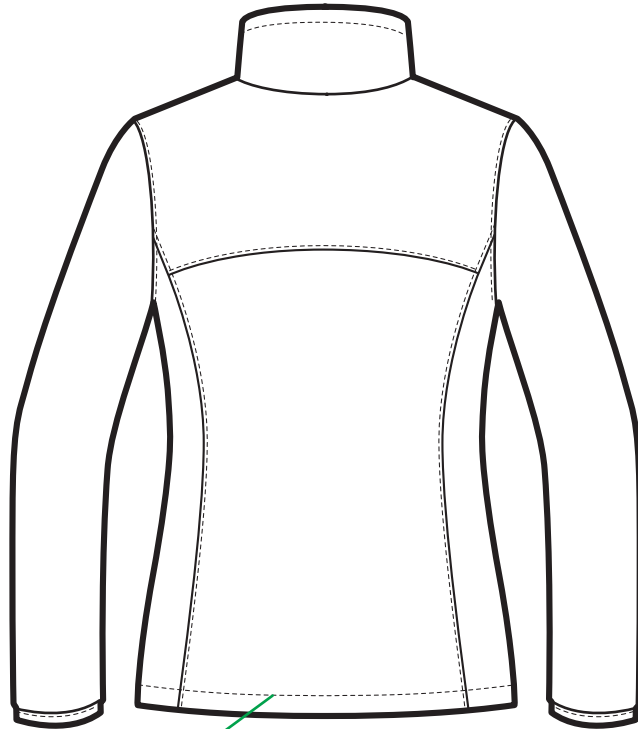
All Topstitch ISO 301, 1/8" From Edge Unless Otherwise Noted



Technical

Line Slot: Kruser Ridge III Softshell Jacket State: Production Season: F25
 Merchandise Division: Outerwear Merchandise Collection: Trail Product Class: Soft Shell Tops
 Designer: nzan Developer: jenchen LO Developer: mbal Sourcing Manager: melissa.gallagher
 Fit Engineer: jenchen

Design:	F4WO20850 2	Sample LO:		Production LO:	India		
Style	Material Style	Style Description	Pattern	Base Size	Size Scale	Fit	SMU Type
WW1684	2085022	Kruser Ridge™ III Softshell Jacket	L18W8001	1X	1X - 3X	Regular	N/A



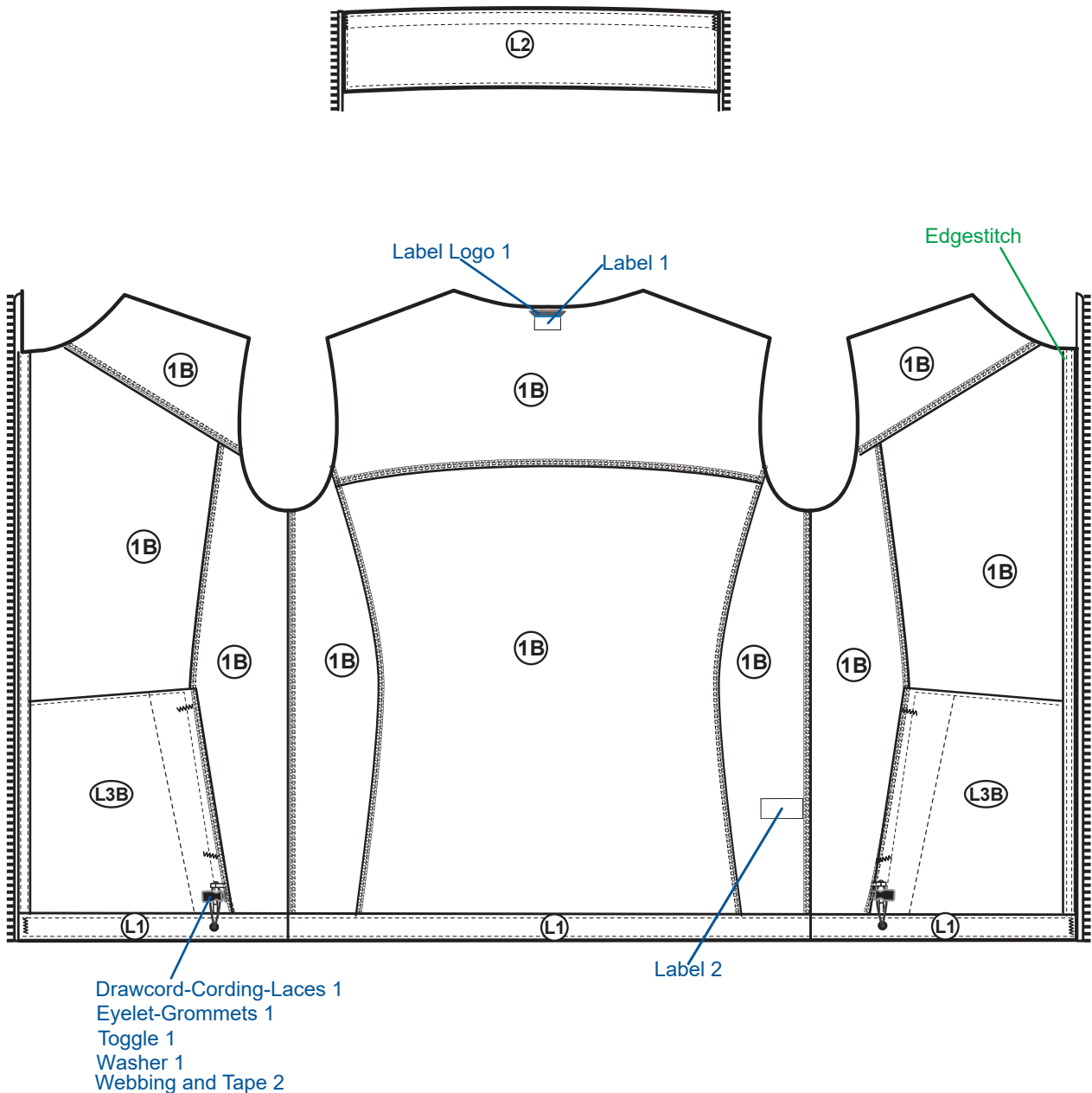
ISO 301
1" from edge

Technical

Line Slot: Kruser Ridge III Softshell Jacket		State: Production		Season: F25			
Merchandise Division: Outerwear		Merchandise Collection: Trail		Product Class: Soft Shell Tops			
Designer: nzan		Developer: jenchen		LO Developer: mbal			
Fit Engineer: jenchen				Sourcing Manager: melissa.gallagher			
Design:	F4WO20850 2	Sample LO:		Production LO:	India		
Style	Material Style	Style Description	Pattern	Base Size	Size Scale	Fit	SMU Type
WW1684	2085022	Kruser Ridge™ III Softshell Jacket	L18W8001	1X	1X - 3X	Regular	N/A



Last Updated: 01.01.21 XX



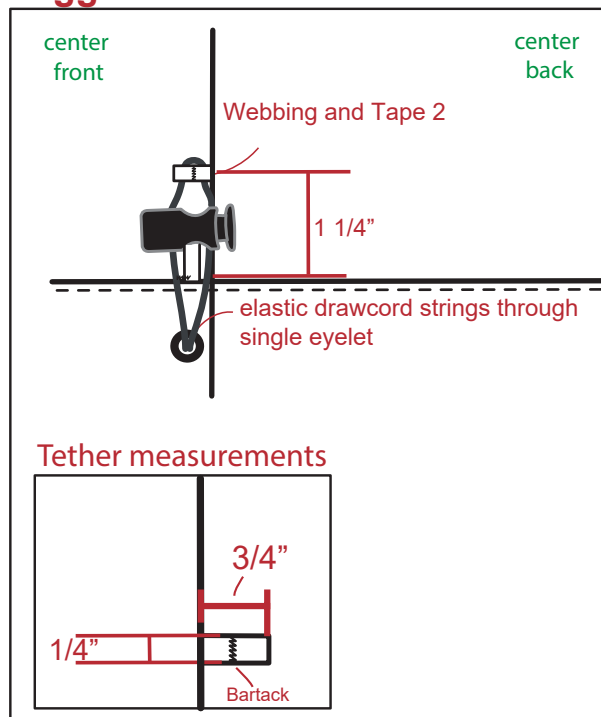
Technical

Line Slot: Kruser Ridge III Softshell Jacket State: Production Season: F25
 Merchandise Division: Outerwear Merchandise Collection: Trail Product Class: Soft Shell Tops
 Designer: nzan Developer: jenchen LO Developer: mbal Sourcing Manager: melissa.gallagher
 Fit Engineer: jenchen

Design:	F4WO20850	Sample LO:	2	Production LO:	India		
Style	Material Style	Style Description	Pattern	Base Size	Size Scale	Fit	SMU Type
WW1684	2085022	Kruser Ridge™ III Softshell Jacket	L18W8001	1X	1X - 3X	Regular	N/A



Toggle Detail



This is confidential and proprietary information of Columbia Sportswear Company. You agree that you will not disclose this information to any third party or use it for any purpose other than on behalf of Columbia. You have no right to use Columbia's name or any of its trademarks, trade names, copyrights, patents, designs or other intellectual property except as set forth in writing by Columbia.

Hangtag Package Report

Apparel Style: WW1684

Season: F25

Brand: Columbia

Merchandise Category: Outerwear

Merchandiser: Lindsey.Beecher

Line Slot: Kruser Ridge III Softshell Jacket

Sort Order: 0.5 Part: 126967 - Regular Fit Swing Tag
 Instruction: Swing tag to be placed on top of cover tag on same plastic stringer.

SKU/Version #	Size	Name	Expiry Date
OP1490984	126967	OP1490984_126967_MT_Regular Fit	10-18-23

MINI TAG (Front) MINI TAG (Back)



Color Code	Color	Material	Notes
Process Blue / Process Blue	126967	126967	
25" x 13" / 1050mm x 530mm		ApexCoat Coating, Die Cut, 3mm punch	



Sort Order: 1.0 Part: 097038 - Columbia Omni-Shield Hangtag
 Instruction: (Tag should be hung with 3" plastic loop stringer through lower left front pocket zipper pull)

SKU/Version #	Size	Name	Expiry Date
OP384986	097038	OP384986_097038_TC_Columbia_OmniShield	01-17-23

TECH CARD (Front)



TECH CARD (Back)



Color Code	Color	Material	Notes
4" x Process Blue / Process Blue	126967	126967	
2.25" x 2.14" / 58.90mm x 55.30mm		ApexCoat Coating, Die Cut, 3mm Punch	



Sort Order: 9.0 Part: 121612 - MSRP/UPC with RFID Specs for MSRP.
 Please refer to VAS specs for any exceptions. MSRP required on all product shipping to the US.
 Instruction:

