

### Related Styles

Line Slot: Slack Tide Solid Camp Shirt

State: Production

Season: F24

Merchandise Division: Sportswear

Merchandise Collection: PFG

Product Class: Woven Tops S/S

Designer: mdavis

Developer: wendall.nelson

LO Developer: nguyen.dung

Sourcing Manager: melissa.gallagher

Fit Engineer: alicehan



Design: S5MS157705

Sample LO:

Production LO: India

Style Material Style

Style Description Pattern

Base Size Size Scale

Fit SMU Type

FM7042 1577051

Slack Tide™ Camp Shirt M15M1024

M

XS - XXL

Regular

N/A

Style	Material Style	Style Description	Design	Pattern	Base Size	Size Scale	Sample LO	Production LO
FS7042	1577052	Slack Tide™ Camp Shirt	S5MS157705	M15S1024	2X	1X - 6X		India
FJ7042	1577054	Slack Tide™ Camp Shirt	S5MS157705	M15S1024	2XT	LT - 5XT		India

This is confidential and proprietary information of Columbia Sportswear Company. You agree that you will not disclose this information to any third party or use it for any purpose other than on behalf of Columbia. You have no right to use Columbia's name or any of its trademarks, trade names, copyrights, patents, designs or other intellectual property except as set forth in writing by Columbia.









**Color BOM**

Line Slot: Slack Tide Solid Camp Shirt  
 Merchandise Division: Sportswear  
 Designer: mdavis  
 Fit Engineer: alicehan

Merchandise Collection: PFG  
 Developer: wendall.nelson

State: Production  
 Product Class: Woven Tops S/S  
 LO Developer: nguyen.dung

Season: F24  
 Sourcing Manager: melissa.gallagher



Design: S5MS157705      Sample LO:  
 Style Material Style      Style Description      Pattern      Production LO: India  
 FM7042      1577051      Slack Tide™      M15M1024      Base Size      Size Scale      Fit      SMU Type  
                                  Camp Shirt      M      XS - XXL      Regular      N/A

Component	Details	Placement	Usage	Width	Marker Width	010-Black	019-Cool Grey	023-City Grey	100-White	301-Midnight Teal
<b>SAP Material Code</b>						157705201 0	157705201 9	157705202 3	157705210 0	157705230 1
						157705101 0	157705101 9	157705102 3	157705110 0	157705130 1
						157705401 0	157705401 9	157705402 3	157705410 0	157705430 1
<b>SMU Accounts</b>						N/A	N/A	N/A	N/A	N/A
Shell 1	099294 SlackTide dobby UPF 50 Dobby 100% Polyester 158 X 120 50D SD DTY x 50D SD DTY UV Cut, Wicking MaterialCoatingNone MaterialLaminateNone 73.0 g/m2 Piece Dye/Jet NA		1.41 yd	54.0	54	Black	Cool Grey	City Grey	White	Midnight Teal
Lining 1	055984 Polyester Microfiber Sueded face and back Interlock 100% Polyester 32 Sanded/Peached (technical back), Sanded/Peached (technical face) MaterialCoatingNone Polyethylene 147.0 g/m2 Piece Dye/Jet NA		0.01 yd	63.0	63	Cool Grey	Cool Grey	Cool Grey	Cool Grey	Cool Grey
Lining 2	200001 Mesh-Warp Knit 2mm mesh hole size Mesh 100% Polyester 28 MaterialFinishNone MaterialCoatingNone MaterialLaminateNone 65.0 g/m2 Piece Dye/Jet		0.17 yd	60.0	60	White	White	White	White	White

### Color BOM

Line Slot: Slack Tide Solid Camp Shirt  
 Merchandise Division: Sportswear  
 Designer: mdavis  
 Fit Engineer: alicehan

Merchandise Collection: PFG  
 Developer: wendall.nelson

State: Production  
 Product Class: Woven Tops S/S  
 LO Developer: nguyen.dung

Season: F24  
 Sourcing Manager: melissa.gallagher



Design: S5MS157705	Sample LO:	Production LO: India
Style: Material Style	Style Description	Pattern
FM7042	1577051	Slack Tide™ Camp Shirt
Base Size: M	Size Scale: XS - XXL	Fit: Regular
		SMU Type: N/A

Component	Details	Placement	Usage	Width	Marker Width	010-Black	019-Cool Grey	023-City Grey	100-White	301-Midnight Teal
<b>SAP Material Code</b>						157705201 0	157705201 9	157705202 3	157705210 0	157705230 1
						157705101 0	157705101 9	157705102 3	157705110 0	157705130 1
						157705401 0	157705401 9	157705402 3	157705410 0	157705430 1
Interfacing 1	011953 Interlining Non-Woven Fusible Medium Weight for Garment Wash Interlining 100% Polyester 40.0 g/m2		0.16 yd	60.0	60	White	White	White	White	White
Button 1	400070 20L 4H Columbia Logo Button or Lt Horn DTM (White is not available)(Call out Light Horn on BOM for Light Horn, undyed) Width: 20.0		7 ea	0.0	0	Black	Cool Grey	City Grey	White	Midnight Teal
Direct Embroidery 1	022083 70mm Omni-Shade Embroidery 1 clr. Est st ct 774	***FOR EU/INTL/IDR ORDERS - DO NOT USE AS GARMENT STYLE DOES NOT MEET EU PPE REQUIREMENTS***See EU UPF PPE Market list from Compliance Team for countries affected.	1 ea	0.0	0	Columbia Grey	Grill	Columbia Grey	Grill	Columbia Grey
Drawcord-Cording-Laces 1	070437 2.5mm 4 color non stretch d/c		0.06 yd	0.0	0	Cool Grey, Grill, White, Nightshade	Cool Grey, Grill, White, Nightshade	Cool Grey, Grill, White, Nightshade	Cool Grey, Grill, White, Nightshade	Cool Grey, Grill, White, Nightshade
Heat Transfer Glued 1	036635 47.4mm Gem Columbia heat Transfer brand size 2 3 clr CANNOT SHOW INSEAM		1 ea	0.0	0	White, Columbia Grey, Compass Blue	White, Columbia Grey, Compass Blue	White, Columbia Grey, Compass Blue	White, Columbia Grey, Compass Blue	White, Columbia Grey, Compass Blue
Label Logo 1	080595 27mm Gem Columbia PFG Woven Clamshell Label with folded ends (Above) 2 clr		1 ea	0.0	0	Cool Grey, Nightshade	Cool Grey, Nightshade	Cool Grey, Nightshade	Cool Grey, Nightshade	Cool Grey, Nightshade
Label Logo 2	058652 51mm PFG Triangle Logo laser Cut Wvn label		1 ea	0.0	0	PMS Cool Grey 3, PMS Cool Grey 7, Nightshade, White	PMS Cool Grey 3, PMS Cool Grey 7, Nightshade, White	PMS Cool Grey 3, PMS Cool Grey 7, Nightshade, White	PMS Cool Grey 3, PMS Cool Grey 7, Nightshade, White	PMS Cool Grey 3, PMS Cool Grey 7, Nightshade, White

### Color BOM

Line Slot: Slack Tide Solid Camp Shirt  
 Merchandise Division: Sportswear  
 Designer: mdavis  
 Fit Engineer: alicehan

Merchandise Collection: PFG  
 Developer: wendall.nelson

State: Production  
 Product Class: Woven Tops S/S  
 LO Developer: nguyen.dung

Season: F24  
 Sourcing Manager: melissa.gallagher



Design: S5MS157705	Sample LO:	Production LO: India	
Style: FM7042	Material Style: 1577051	Style Description: Slack Tide™ Camp Shirt	Pattern: M15M1024
		Base Size: M	Size Scale: XS - XXL
		Fit: Regular	SMU Type: N/A

Component	Details	Placement	Usage	Width	Marker Width	010-Black	019-Cool Grey	023-City Grey	100-White	301-Midnight Teal
<b>SAP Material Code</b>						157705201 0	157705201 9	157705202 3	157705210 0	157705230 1
						157705101 0	157705101 9	157705102 3	157705110 0	157705130 1
						157705401 0	157705401 9	157705402 3	157705410 0	157705430 1
Label Logo 3	057380 15mm Double-sided sun glasses woven swing label 2 clr		1 ea	0.0	0	Columbia Grey, White	Columbia Grey, White	Columbia Grey, White	Columbia Grey, White	Columbia Grey, White
Thread 1	008214 Coats ASTRA Spun Polyester Tex 27 40/2		425 meter	0.0	0	Black	Cool Grey	City Grey	White	Midnight Teal
Label 1	006564 33mm Care Content ECO Booklet Fold label with fully translated country of origin WHT/BLK for most, BLK/WHT for Titanium only, GRY/BLK is for Garment DYE ONLY		1 ea	0.0	0	White, Black	White, Black	White, Black	White, Black	White, Black
Hangtag Package Part	121612 MSRP/UPC with RFID Specs for MSRP. Please refer to VAS specs for any exceptions. MSRP required on all product shipping to the US.		1 ea	0.0	0	Artwork	Artwork	Artwork	Artwork	Artwork
Hangtag Package Part	126967 Regular Fit Swing Tag		1 ea	0.0	0	Artwork	Artwork	Artwork	Artwork	Artwork
Hangtag Package Part	111006 PFG Omni-Shade UPF 50, Omni-Wick Hangtag		1 ea	0.0	0	Artwork	Artwork	Artwork	Artwork	Artwork
Packaging 1	980001 Polybag See Standard CCS 4200 for specifications		1 ea	0.0	0	Stock	Stock	Stock	Stock	Stock
Packaging 2	980010 UPC Bag Sticker Generic (MHW/Columbia) See CCS4400/ 4401 and MHW4402 for Mt Hardwear for instructions		1 ea	0.0	0	Artwork	Artwork	Artwork	Artwork	Artwork
Packaging 3	064194 Outer Carton for costing purpose only		1 ea	0.0	0	Stock	Stock	Stock	Stock	Stock



**Color BOM**

Line Slot: Slack Tide Solid Camp Shirt  
 Merchandise Division: Sportswear  
 Designer: mdavis  
 Fit Engineer: alicehan

Merchandise Collection: PFG  
 Developer: wendall.nelson

State: Production  
 Product Class: Woven Tops S/S  
 LO Developer: nguyen.dung

Season: F24  
 Sourcing Manager: melissa.gallagher



Design: S5MS157705      Sample LO:  
 Style: Material Style      Style Description      Pattern  
 FM7042      1577051      Slack Tide™ Camp Shirt

Production LO: India  
 Base Size: M      Size Scale: XS - XXL      Fit: Regular      SMU Type: N/A

Component	Details	Placement	Usage	Width	Marker Width	316-Cypress	381-Smokey Sage	417-Ocean Blue	461-Crushed Blue	464-Collegiate Navy
<b>SAP Material Code</b>						157705131 6	157705238 1	157705241 7	157705246 1	157705246 4
						157705431 6	157705138 1	157705141 7	157705446 1	157705146 4
						157705231 6	157705438 1	157705441 7	157705146 1	157705446 4
<b>SMU Accounts</b>						N/A	N/A	N/A	N/A	N/A
Shell 1	099294 SlackTide dobby UPF 50 Dobby 100% Polyester 158 X 120 50D SD DTY x 50D SD DTY UV Cut, Wicking MaterialCoatingNone MaterialLaminateNone 73.0 g/m2 Piece Dye/Jet NA		1.41 yd	54.0	54	Cypress	Smokey Sage	Ocean Blue	Crushed Blue	Collegiate Navy
Lining 1	055984 Polyester Microfiber Sueded face and back Interlock 100% Polyester 32 Sanded/Peached (technical back), Sanded/Peached (technical face) MaterialCoatingNone Polyethylene 147.0 g/m2 Piece Dye/Jet NA		0.01 yd	63.0	63	Cool Grey	Cool Grey	Cool Grey	Cool Grey	Cool Grey
Lining 2	200001 Mesh-Warp Knit 2mm mesh hole size Mesh 100% Polyester 28 MaterialFinishNone MaterialCoatingNone MaterialLaminateNone 65.0 g/m2 Piece Dye/Jet		0.17 yd	60.0	60	White	White	White	White	White

### Color BOM

Line Slot: Slack Tide Solid Camp Shirt  
 Merchandise Division: Sportswear  
 Designer: mdavis  
 Fit Engineer: alicehan

Merchandise Collection: PFG  
 Developer: wendall.nelson

State: Production  
 Product Class: Woven Tops S/S  
 LO Developer: nguyen.dung

Season: F24  
 Sourcing Manager: melissa.gallagher



Design: S5MS157705	Sample LO:	Production LO: India
Style: Material Style	Style Description	Pattern
FM7042	1577051	Slack Tide™ Camp Shirt
		M15M1024
		M
		XS - XXL
		Regular
		SMU Type
		N/A

Component	Details	Placement	Usage	Width	Marker Width	316-Cypress	381-Smokey Sage	417-Ocean Blue	461-Crushed Blue	464-Collegiate Navy
<b>SAP Material Code</b>						157705131 6	157705238 1	157705241 7	157705246 1	157705246 4
						157705431 6	157705138 1	157705141 7	157705446 1	157705146 4
						157705231 6	157705438 1	157705441 7	157705146 1	157705446 4
Interfacing 1	011953 Interlining Non-Woven Fusible Medium Weight for Garment Wash Interlining 100% Polyester 40.0 g/m2		0.16 yd	60.0	60	White	White	White	White	White
Button 1	400070 20L 4H Columbia Logo Button or Lt Horn DTM (White is not available)(Call out Light Horn on BOM for Light Horn, undyed) Width: 20.0		7 ea	0.0	0	Cypress	Smokey Sage	Ocean Blue	Crushed Blue	Collegiate Navy
Direct Embroidery 1	022083 70mm Omni-Shade Embroidery 1 clr. Est st ct 774	***FOR EU/INTL/IDR ORDERS - DO NOT USE AS GARMENT STYLE DOES NOT MEET EU PPE REQUIREMENTS***See EU UPF PPE Market list from Compliance Team for countries affected.	1 ea	0.0	0	Columbia Grey	Columbia Grey	Columbia Grey	Columbia Grey	Columbia Grey
Drawcord-Cording-Laces 1	070437 2.5mm 4 color non stretch d/c		0.06 yd	0.0	0	Cool Grey, Grill, White, Nightshade	Cool Grey, Grill, White, Nightshade	Cool Grey, Grill, White, Nightshade	Cool Grey, Grill, White, Nightshade	Cool Grey, Grill, White, Nightshade
Heat Transfer Glued 1	036635 47.4mm Gem Columbia heat Transfer brand size 2 3 clr CANNOT SHOW INSEAM		1 ea	0.0	0	White, Columbia Grey, Compass Blue	White, Columbia Grey, Compass Blue	White, Columbia Grey, Compass Blue	White, Columbia Grey, Compass Blue	White, Columbia Grey, Compass Blue
Label Logo 1	080595 27mm Gem Columbia PFG Woven Clamshell Label with folded ends (Above) 2 clr		1 ea	0.0	0	Cool Grey, Nightshade	Cool Grey, Nightshade	Cool Grey, Nightshade	Cool Grey, Nightshade	Cool Grey, Nightshade
Label Logo 2	058652 51mm PFG Triangle Logo laser Cut Wvn label		1 ea	0.0	0	PMS Cool Grey 3, PMS Cool Grey 7, Nightshade, White	PMS Cool Grey 3, PMS Cool Grey 7, Nightshade, White	PMS Cool Grey 3, PMS Cool Grey 7, Nightshade, White	PMS Cool Grey 3, PMS Cool Grey 7, Nightshade, White	PMS Cool Grey 3, PMS Cool Grey 7, Nightshade, White

### Color BOM

Line Slot: Slack Tide Solid Camp Shirt  
 Merchandise Division: Sportswear  
 Designer: mdavis  
 Fit Engineer: alicehan

Merchandise Collection: PFG  
 Developer: wendall.nelson

State: Production  
 Product Class: Woven Tops S/S  
 LO Developer: nguyen.dung

Season: F24  
 Sourcing Manager: melissa.gallagher



Design:	S5MS157705	Sample LO:		Production LO:	India			
Style	Material Style	Style Description	Pattern	Base Size	Size Scale	Fit	SMU Type	
FM7042	1577051	Slack Tide™ Camp Shirt	M15M1024	M	XS - XXL	Regular	N/A	

Component	Details	Placement	Usage	Width	Marker Width	316-Cypress	381-Smokey Sage	417-Ocean Blue	461-Crushed Blue	464-Collegiate Navy
<b>SAP Material Code</b>						157705131 6	157705238 1	157705241 7	157705246 1	157705246 4
						157705431 6	157705138 1	157705141 7	157705446 1	157705146 4
						157705231 6	157705438 1	157705441 7	157705146 1	157705446 4
Label Logo 3	057380 15mm Double-sided sun glasses woven swing label 2 clr		1 ea	0.0	0	Columbia Grey, White	Columbia Grey, White	Columbia Grey, White	Columbia Grey, White	Columbia Grey, White
Thread 1	008214 Coats ASTRA Spun Polyester Tex 27 40/2		425 meter	0.0	0	Cypress	Smokey Sage	Ocean Blue	Crushed Blue	Collegiate Navy
Label 1	006564 33mm Care Content ECO Booklet Fold label with fully translated country of origin WHT/BLK for most, BLK/WHT for Titanium only, GRY/BLK is for Garment DYE ONLY		1 ea	0.0	0	White, Black	White, Black	White, Black	White, Black	White, Black
Hangtag Package Part	121612 MSRP/UPC with RFID Specs for MSRP. Please refer to VAS specs for any exceptions. MSRP required on all product shipping to the US.		1 ea	0.0	0	Artwork	Artwork	Artwork	Artwork	Artwork
Hangtag Package Part	126967 Regular Fit Swing Tag		1 ea	0.0	0	Artwork	Artwork	Artwork	Artwork	Artwork
Hangtag Package Part	111006 PFG Omni-Shade UPF 50, Omni-Wick Hangtag		1 ea	0.0	0	Artwork	Artwork	Artwork	Artwork	Artwork
Packaging 1	980001 Polybag See Standard CCS 4200 for specifications		1 ea	0.0	0	Stock	Stock	Stock	Stock	Stock
Packaging 2	980010 UPC Bag Sticker Generic (MHW/Columbia) See CCS4400/ 4401 and MHW4402 for Mt Hardwear for instructions		1 ea	0.0	0	Artwork	Artwork	Artwork	Artwork	Artwork
Packaging 3	064194 Outer Carton for costing purpose only		1 ea	0.0	0	Stock	Stock	Stock	Stock	Stock

**Color BOM**

Line Slot: Slack Tide Solid Camp Shirt  
 Merchandise Division: Sportswear  
 Designer: mdavis  
 Fit Engineer: alicehan

Merchandise Collection: PFG  
 Developer: wendall.nelson

State: Production  
 Product Class: Woven Tops S/S  
 LO Developer: nguyen.dung

Season: F24  
 Sourcing Manager: melissa.gallagher



Design: S5MS157705      Sample LO:      Production LO: India  
 Style Material Style      Style Description      Pattern      Base Size      Size Scale      Fit      SMU Type  
 FM7042      1577051      Slack Tide™ Camp Shirt      M15M1024      M      XS - XXL      Regular      N/A

Component	Details	Placement	Usage	Width	Marker Width	469-Carbon	487-Vivid Blue	499-Gulf Stream	596-Minuet	607-Beet
<b>SAP Material Code</b>						157705246 9	157705248 7	157705249 9	157705259 6	157705260 7
						157705146 9	157705148 7	157705449 9	157705159 6	157705160 7
						157705446 9	157705448 7	157705149 9	157705459 6	157705460 7
<b>SMU Accounts</b>						N/A	N/A	N/A	N/A	N/A
Shell 1	099294 SlackTide dobby UPF 50 Dobby 100% Polyester 158 X 120 50D SD DTY x 50D SD DTY UV Cut, Wicking MaterialCoatingNone MaterialLaminateNone 73.0 g/m2 Piece Dye/Jet NA		1.41 yd	54.0	54	Carbon	Vivid Blue	Gulf Stream	Minuet	Beet
Lining 1	055984 Polyester Microfiber Sueded face and back Interlock 100% Polyester 32 Sanded/Peached (technical back), Sanded/Peached (technical face) MaterialCoatingNone Polyethylene 147.0 g/m2 Piece Dye/Jet NA		0.01 yd	63.0	63	Cool Grey	Cool Grey	Cool Grey	Cool Grey	Cool Grey
Lining 2	200001 Mesh-Warp Knit 2mm mesh hole size Mesh 100% Polyester 28 MaterialFinishNone MaterialCoatingNone MaterialLaminateNone 65.0 g/m2 Piece Dye/Jet		0.17 yd	60.0	60	White	White	White	White	White

### Color BOM

Line Slot: Slack Tide Solid Camp Shirt  
 Merchandise Division: Sportswear  
 Designer: mdavis  
 Fit Engineer: alicehan

Merchandise Collection: PFG  
 Developer: wendall.nelson

State: Production  
 Product Class: Woven Tops S/S  
 LO Developer: nguyen.dung

Season: F24  
 Sourcing Manager: melissa.gallagher



Design: S5MS157705  
 Style: Material Style  
 FM7042: 1577051

Sample LO:  
 Style Description: Slack Tide™ Camp Shirt  
 Pattern: M15M1024

Production LO: India  
 Base Size: M  
 Size Scale: XS - XXL

Fit: Regular  
 SMU Type: N/A

Component	Details	Placement	Usage	Width	Marker Width	469-Carbon	487-Vivid Blue	499-Gulf Stream	596-Minuet	607-Beet
<b>SAP Material Code</b>						157705246 9	157705248 7	157705249 9	157705259 6	157705260 7
						157705146 9	157705148 7	157705449 9	157705159 6	157705160 7
						157705446 9	157705448 7	157705149 9	157705459 6	157705460 7
Interfacing 1	011953 Interlining Non-Woven Fusible Medium Weight for Garment Wash Interlining 100% Polyester 40.0 g/m2		0.16 yd	60.0	60	White	White	White	White	White
Button 1	400070 20L 4H Columbia Logo Button or Lt Horn DTM (White is not available)(Call out Light Horn on BOM for Light Horn, undyed) Width: 20.0		7 ea	0.0	0	Carbon	Vivid Blue	Gulf Stream	Minuet	Beet
Direct Embroidery 1	022083 70mm Omni-Shade Embroidery 1 clr. Est st ct 774	***FOR EU/INTL/IDR ORDERS - DO NOT USE AS GARMENT STYLE DOES NOT MEET EU PPE REQUIREMENTS***See EU UPF PPE Market list from Compliance Team for countries affected.	1 ea	0.0	0	Columbia Grey	Columbia Grey	White	Columbia Grey	Columbia Grey
Drawcord-Cording-Laces 1	070437 2.5mm 4 color non stretch d/c		0.06 yd	0.0	0	Cool Grey, Grill, White, Nightshade	Cool Grey, Grill, White, Nightshade	Cool Grey, Grill, White, Nightshade	Cool Grey, Grill, White, Nightshade	Cool Grey, Grill, White, Nightshade
Heat Transfer Glued 1	036635 47.4mm Gem Columbia heat Transfer brand size 2 3 clr CANNOT SHOW INSEAM		1 ea	0.0	0	White, Columbia Grey, Compass Blue	White, Columbia Grey, Compass Blue	White, Columbia Grey, Compass Blue	White, Columbia Grey, Compass Blue	White, Columbia Grey, Compass Blue
Label Logo 1	080595 27mm Gem Columbia PFG Woven Clamshell Label with folded ends (Above) 2 clr		1 ea	0.0	0	Cool Grey, Nightshade	Cool Grey, Nightshade	Cool Grey, Nightshade	Cool Grey, Nightshade	Cool Grey, Nightshade
Label Logo 2	058652 51mm PFG Triangle Logo laser Cut Wvn label		1 ea	0.0	0	PMS Cool Grey 3, PMS Cool Grey 7, Nightshade, White	PMS Cool Grey 3, PMS Cool Grey 7, Nightshade, White	PMS Cool Grey 3, PMS Cool Grey 7, Nightshade, White	PMS Cool Grey 3, PMS Cool Grey 7, Nightshade, White	PMS Cool Grey 3, PMS Cool Grey 7, Nightshade, White
Label Logo 3	057380 15mm Double-sided sun glasses woven swing label 2 clr		1 ea	0.0	0	Columbia Grey, White	Columbia Grey, White	Columbia Grey, White	Columbia Grey, White	Columbia Grey, White

### Color BOM

Line Slot: Slack Tide Solid Camp Shirt  
 Merchandise Division: Sportswear  
 Designer: mdavis  
 Fit Engineer: alicehan

Merchandise Collection: PFG  
 Developer: wendall.nelson

State: Production  
 Product Class: Woven Tops S/S  
 LO Developer: nguyen.dung

Season: F24  
 Sourcing Manager: melissa.gallagher



Design: S5MS157705	Sample LO:	Production LO: India	
Style: Material Style	Style Description	Pattern	Base Size
FM7042	1577051	Slack Tide™ Camp Shirt	M15M1024
		M	XS - XXL
		Regular	SMU Type N/A

Component	Details	Placement	Usage	Width	Marker Width	469-Carbon	487-Vivid Blue	499-Gulf Stream	596-Minuet	607-Beet
<b>SAP Material Code</b>						1577052469	1577052487	1577052499	1577052596	1577052607
						1577051469	1577051487	1577054499	1577051596	1577051607
						1577054469	1577054487	1577051499	1577054596	1577054607
Thread 1	008214 Coats ASTRA Spun Polyester Tex 27 40/2		425 meter	0.0	0	Carbon	Vivid Blue	Gulf Stream	Minuet	Beet
Label 1	006564 33mm Care Content ECO Booklet Fold label with fully translated country of origin WHT/BLK for most, BLK/WHT for Titanium only, GRY/BLK is for Garment DYE ONLY		1 ea	0.0	0	White, Black	White, Black	White, Black	White, Black	White, Black
Hangtag Package Part	121612 MSRP/UPC with RFID Specs for MSRP. Please refer to VAS specs for any exceptions. MSRP required on all product shipping to the US.		1 ea	0.0	0	Artwork	Artwork	Artwork	Artwork	Artwork
Hangtag Package Part	126967 Regular Fit Swing Tag		1 ea	0.0	0	Artwork	Artwork	Artwork	Artwork	Artwork
Hangtag Package Part	111006 PFG Omni-Shade UPF 50, Omni-Wick Hangtag		1 ea	0.0	0	Artwork	Artwork	Artwork	Artwork	Artwork
Packaging 1	980001 Polybag See Standard CCS 4200 for specifications		1 ea	0.0	0	Stock	Stock	Stock	Stock	Stock
Packaging 2	980010 UPC Bag Sticker Generic (MHW/Columbia) See CCS4400/ 4401 and MHW4402 for Mt Hardwear for instructions		1 ea	0.0	0	Artwork	Artwork	Artwork	Artwork	Artwork
Packaging 3	064194 Outer Carton for costing purpose only		1 ea	0.0	0	Stock	Stock	Stock	Stock	Stock

### Color BOM

Line Slot: Slack Tide Solid Camp Shirt  
 Merchandise Division: Sportswear  
 Designer: mdavis  
 Fit Engineer: alicehan

Merchandise Collection: PFG  
 Developer: wendall.nelson

State: Production  
 Product Class: Woven Tops S/S  
 LO Developer: nguyen.dung

Season: F24  
 Sourcing Manager: melissa.gallagher



Design: S5MS157705	Sample LO:	Production LO: India	
Style: Material Style	Style Description	Pattern	Base Size
FM7042	1577051	Slack Tide™ Camp Shirt	M15M1024
			M
			XS - XXL
			Regular
			SMU Type
			N/A

Component	Details	Placement	Usage	Width	Marker Width	696-Red Spark	852-Faded Peach
<b>SAP Material Code</b>						1577052696 1577054696 1577051696	1577051852 1577054852 1577052852
<b>SMU Accounts</b>						N/A	N/A
Shell 1	099294 SlackTide dobby UPF 50 Dobby 100% Polyester 158 X 120 50D SD DTY x 50D SD DTY UV Cut, Wicking MaterialCoatingNone MaterialLaminateNone 73.0 g/m2 Piece Dye/Jet NA		1.41 yd	54.0	54	Red Spark	Faded Peach
Lining 1	055984 Polyester Microfiber Sueded face and back Interlock 100% Polyester 32 Sanded/Peached (technical back), Sanded/Peached (technical face) MaterialCoatingNone Polyethylene 147.0 g/m2 Piece Dye/Jet NA		0.01 yd	63.0	63	Cool Grey	Cool Grey
Lining 2	200001 Mesh-Warp Knit 2mm mesh hole size Mesh 100% Polyester 28 MaterialFinishNone MaterialCoatingNone MaterialLaminateNone 65.0 g/m2 Piece Dye/Jet		0.17 yd	60.0	60	White	White
Interfacing 1	011953 Interlining Non-Woven Fusible Medium Weight for Garment Wash Interlining 100% Polyester 40.0 g/m2		0.16 yd	60.0	60	White	White

### Color BOM

Line Slot: Slack Tide Solid Camp Shirt	State: Production	Season: F24
Merchandise Division: Sportswear	Merchandise Collection: PFG	Product Class: Woven Tops S/S
Designer: mdavis	Developer: wendall.nelson	LO Developer: nguyen.dung
Fit Engineer: alicehan		Sourcing Manager: melissa.gallagher
Design: S5MS157705	Sample LO:	Production LO: India
Style: Material Style	Style Description	Pattern
FM7042	1577051	Slack Tide™ Camp Shirt
	Base Size: M	Size Scale: XS - XXL
	Fit: Regular	SMU Type: N/A



Component	Details	Placement	Usage	Width	Marker Width	696-Red Spark	852-Faded Peach
<b>SAP Material Code</b>						1577052696 1577054696 1577051696	1577051852 1577054852 1577052852
Button 1	400070 20L 4H Columbia Logo Button or Lt Horn DTM (White is not available)(Call out Light Horn on BOM for Light Horn, undyed) Width: 20.0		7 ea	0.0	0	Red Spark	Faded Peach
Direct Embroidery 1	022083 70mm Omni-Shade Embroidery 1 clr. Est st ct 774	***FOR EU/INTL/IDR ORDERS - DO NOT USE AS GARMENT STYLE DOES NOT MEET EU PPE REQUIREMENTS***See EU UPF PPE Market list from Compliance Team for countries affected.	1 ea	0.0	0	Grill	Columbia Grey
Drawcord-Cording-Laces 1	070437 2.5mm 4 color non stretch d/c		0.06 yd	0.0	0	Cool Grey, Grill, White, Nightshade	Cool Grey, Grill, White, Nightshade
Heat Transfer Glued 1	036635 47.4mm Gem Columbia heat Transfer brand size 2 3 clr CANNOT SHOW INSEAM		1 ea	0.0	0	White, Columbia Grey, Compass Blue	White, Columbia Grey, Compass Blue
Label Logo 1	080595 27mm Gem Columbia PFG Woven Clamshell Label with folded ends (Above) 2 clr		1 ea	0.0	0	Cool Grey, Nightshade	Cool Grey, Nightshade
Label Logo 2	058652 51mm PFG Triangle Logo laser Cut Wvn label		1 ea	0.0	0	PMS Cool Grey 3, PMS Cool Grey 7, Nightshade, White	PMS Cool Grey 3, PMS Cool Grey 7, Nightshade, White
Label Logo 3	057380 15mm Double-sided sun glasses woven swing label 2 clr		1 ea	0.0	0	Columbia Grey, White	Columbia Grey, White
Thread 1	008214 Coats ASTRA Spun Polyester Tex 27 40/2		425 meter	0.0	0	Red Spark	Faded Peach
Label 1	006564 33mm Care Content ECO Booklet Fold label with fully translated country of origin WHT/BLK for most, BLK/WHT for Titanium only, GRY/BLK is for Garment DYE ONLY		1 ea	0.0	0	White, Black	White, Black
Hangtag Package Part	121612 MSRP/UPC with RFID Specs for MSRP. Please refer to VAS specs for any exceptions. MSRP required on all product shipping to the US.		1 ea	0.0	0	Artwork	Artwork
Hangtag Package Part	126967 Regular Fit Swing Tag		1 ea	0.0	0	Artwork	Artwork
Hangtag Package Part	111006 PFG Omni-Shade UPF 50, Omni-Wick Hangtag		1 ea	0.0	0	Artwork	Artwork



### Color BOM

Line Slot: Slack Tide Solid Camp Shirt		State: Production		Season: F24			
Merchandise Division: Sportswear		Merchandise Collection: PFG		Product Class: Woven Tops S/S			
Designer: mdavis		Developer: wendall.nelson		LO Developer: nguyen.dung			
Fit Engineer: alicehan		Sourcing Manager: melissa.gallagher					
Design:	S5MS157705	Sample LO:		Production LO:	India		
Style	Material Style	Style Description	Pattern	Base Size	Size Scale	Fit	SMU Type
FM7042	1577051	Slack Tide™ Camp Shirt	M15M1024	M	XS - XXL	Regular	N/A



Component	Details	Placement	Usage	Width	Marker Width	696-Red Spark	852-Faded Peach
<b>SAP Material Code</b>						<b>1577052696</b>	<b>1577051852</b>
						<b>1577054696</b>	<b>1577054852</b>
						<b>1577051696</b>	<b>1577052852</b>
Packaging 1	980001 Polybag See Standard CCS 4200 for specifications		1 ea	0.0	0	Stock	Stock
Packaging 2	980010 UPC Bag Sticker Generic (MHW/Columbia) See CCS4400/ 4401 and MHW4402 for Mt Hardware for instructions		1 ea	0.0	0	Artwork	Artwork
Packaging 3	064194 Outer Carton for costing purpose only		1 ea	0.0	0	Stock	Stock

This is confidential and proprietary information of Columbia Sportswear Company. You agree that you will not disclose this information to any third party or use it for any purpose other than on behalf of Columbia. You have no right to use Columbia's name or any of its trademarks, trade names, copyrights, patents, designs or other intellectual property except as set forth in writing by Columbia.

## Colorless BOM

Line Slot: Slack Tide Solid Camp Shirt      State: Production      Season: F24  
 Merchandise Division: Sportswear      Merchandise Collection: PFG      Product Class: Woven Tops S/S  
 Designer: mdavis      Developer: wendall.nelson      LO Developer: nguyen.dung      Sourcing Manager: melissa.gallagher  
 Fit Engineer: alicehan  
 Design: S5MS157705      Sample LO:      Production LO: India  
 Style      Material Style      Style Description      Pattern      Base Size      Size Scale      Fit      SMU Type  
 FM7042      1577051      Slack Tide™ Camp Shirt      M15M1024      M      XS - XXL      Regular      N/A



Component	Details	Placement	Usage	Width	Marker Width
<b>SAP Material Code</b>					
Shell 1	099294 SlackTide dobby UPF 50 Dobby 100% Polyester 158 X 120 50D SD DTY x 50D SD DTY UV Cut, Wicking MaterialCoatingNone MaterialLaminateNone 73.0 g/m2 Piece Dye/Jet NA		1.41 yd	54.0	54
Lining 1	055984 Polyester Microfiber Sueded face and back Interlock 100% Polyester 32 Sanded/Peached (technical back), Sanded/Peached (technical face) MaterialCoatingNone Polyethylene 147.0 g/m2 Piece Dye/Jet NA		0.01 yd	63.0	63
Lining 2	200001 Mesh-Warp Knit 2mm mesh hole size Mesh 100% Polyester 28 MaterialFinishNone MaterialCoatingNone MaterialLaminateNone 65.0 g/m2 Piece Dye/Jet		0.17 yd	60.0	60
Interfacing 1	011953 Interlining Non-Woven Fusible Medium Weight for Garment Wash Interlining 100% Polyester 40.0 g/m2		0.16 yd	60.0	60
Button 1	400070 20L 4H Columbia Logo Button or Lt Horn DTM (White is not available)(Call out Light Horn on BOM for Light Horn, undyed) Width: 20.0		7 ea	0.0	0
Direct Embroidery 1	022083 70mm Omni-Shade Embroidery 1 clr. Est st ct 774	***FOR EU/INTL/IDR ORDERS - DO NOT USE AS GARMENT STYLE DOES NOT MEET EU PPE REQUIREMENTS***See EU UPF PPE Market list from Compliance Team for countries affected.	1 ea	0.0	0
Drawcord-Cording-Laces 1	070437 2.5mm 4 color non stretch d/c		0.06 yd	0.0	0
Heat Transfer Glued 1	036635 47.4mm Gem Columbia heat Transfer brand size 2 3 clr CANNOT SHOW INSEAM		1 ea	0.0	0
Label Logo 1	080595 27mm Gem Columbia PFG Woven Clamshell Label with folded ends (Above) 2 clr		1 ea	0.0	0
Label Logo 2	058652 51mm PFG Triangle Logo laser Cut Wvn label		1 ea	0.0	0

## Colorless BOM



Line Slot: Slack Tide Solid Camp Shirt      State: Production      Season: F24  
 Merchandise Division: Sportswear      Merchandise Collection: PFG      Product Class: Woven Tops S/S  
 Designer: mdavis      Developer: wendall.nelson      LO Developer: nguyen.dung      Sourcing Manager: melissa.gallagher  
 Fit Engineer: alicehan  
 Design: S5MS157705      Sample LO:      Production LO: India  
 Style      Material Style      Style Description      Pattern      Base Size      Size Scale      Fit      SMU Type  
 FM7042      1577051      Slack Tide™ Camp Shirt      M15M1024      M      XS - XXL      Regular      N/A

Component	Details	Placement	Usage	Width	Marker Width
<b>SAP Material Code</b>					
Label Logo 3	057380 15mm Double-sided sun glasses woven swing label 2 clr		1 ea	0.0	0
Thread 1	008214 Coats ASTRA Spun Polyester Tex 27 40/2		425 meter	0.0	0
Label 1	006564 33mm Care Content ECO Booklet Fold label with fully translated country of origin WHT/BLK for most, BLK/WHT for Titanium only, GRY/BLK is for Garment DYE ONLY		1 ea	0.0	0
Hangtag Package Part	121612 MSRP/UPC with RFID Specs for MSRP. Please refer to VAS specs for any exceptions. MSRP required on all product shipping to the US.		1 ea	0.0	0
Hangtag Package Part	126967 Regular Fit Swing Tag		1 ea	0.0	0
Hangtag Package Part	111006 PFG Omni-Shade UPF 50, Omni-Wick Hangtag		1 ea	0.0	0
Packaging 1	980001 Polybag See Standard CCS 4200 for specifications		1 ea	0.0	0
Packaging 2	980010 UPC Bag Sticker Generic (MHW/Columbia) See CCS4400/ 4401 and MHW4402 for Mt Hardware for instructions		1 ea	0.0	0
Packaging 3	064194 Outer Carton for costing purpose only		1 ea	0.0	0

This is confidential and proprietary information of Columbia Sportswear Company. You agree that you will not disclose this information to any third party or use it for any purpose other than on behalf of Columbia. You have no right to use Columbia's name or any of its trademarks, trade names, copyrights, patents, designs or other intellectual property except as set forth in writing by Columbia.

## Color Specification

Line Slot: Slack Tide Solid Camp Shirt  
 Merchandise Division: Sportswear  
 Designer: mdavis  
 Fit Engineer: alicehan

Merchandise Collection: PFG  
 Developer: wendall.nelson

State: Production  
 Product Class: Woven Tops S/S  
 LO Developer: nguyen.dung

Season: F24  
 Sourcing Manager: melissa.gallagher



Design:	S5MS157705	Sample LO:		Production LO:	India				
Style	Material Style	Style Description	Pattern	Base Size	Size Scale	Fit	SMU Type		
FM7042	1577051	Slack Tide™ Camp Shirt	M15M1024	M	XS - XXL	Regular	N/A		

Component - Material	010-Black	019-Cool Grey	023-City Grey	100-White	301-Midnight Teal	316-Cypress	381-Smokey Sage	417-Ocean Blue	461-Crushed Blue	464-Collegiate Navy
Shell 1 - 099294	Black	Cool Grey	City Grey	White	Midnight Teal	Cypress	Smokey Sage	Ocean Blue	Crushed Blue	Collegiate Navy
Button 1 - 400070										
Thread 1 - 008214										
Lining 1 - 055984	Cool Grey	Cool Grey	Cool Grey	Cool Grey	Cool Grey	Cool Grey	Cool Grey	Cool Grey	Cool Grey	Cool Grey
Lining 2 - 200001	White	White	White	White	White	White	White	White	White	White
Interfacing 1 - 011953										
Direct Embroidery 1 - 022083	Columbia Grey	Grill	Columbia Grey	Grill	Columbia Grey	Columbia Grey	Columbia Grey	Columbia Grey	Columbia Grey	Columbia Grey
Drawcord-Cording-Laces 1 - 070437	Cool Grey, Grill, White, Nightshade	Cool Grey, Grill, White, Nightshade	Cool Grey, Grill, White, Nightshade	Cool Grey, Grill, White, Nightshade	Cool Grey, Grill, White, Nightshade	Cool Grey, Grill, White, Nightshade	Cool Grey, Grill, White, Nightshade	Cool Grey, Grill, White, Nightshade	Cool Grey, Grill, White, Nightshade	Cool Grey, Grill, White, Nightshade
Heat Transfer Glued 1 - 036635	White, Columbia Grey, Compass Blue	White, Columbia Grey, Compass Blue	White, Columbia Grey, Compass Blue	White, Columbia Grey, Compass Blue	White, Columbia Grey, Compass Blue	White, Columbia Grey, Compass Blue	White, Columbia Grey, Compass Blue	White, Columbia Grey, Compass Blue	White, Columbia Grey, Compass Blue	White, Columbia Grey, Compass Blue
Label Logo 1 - 080595	Cool Grey, Nightshade	Cool Grey, Nightshade	Cool Grey, Nightshade	Cool Grey, Nightshade	Cool Grey, Nightshade	Cool Grey, Nightshade	Cool Grey, Nightshade	Cool Grey, Nightshade	Cool Grey, Nightshade	Cool Grey, Nightshade
Label Logo 2 - 058652	PMS Cool Grey 3, PMS Cool Grey 7, Nightshade, White	PMS Cool Grey 3, PMS Cool Grey 7, Nightshade, White	PMS Cool Grey 3, PMS Cool Grey 7, Nightshade, White	PMS Cool Grey 3, PMS Cool Grey 7, Nightshade, White	PMS Cool Grey 3, PMS Cool Grey 7, Nightshade, White	PMS Cool Grey 3, PMS Cool Grey 7, Nightshade, White	PMS Cool Grey 3, PMS Cool Grey 7, Nightshade, White	PMS Cool Grey 3, PMS Cool Grey 7, Nightshade, White	PMS Cool Grey 3, PMS Cool Grey 7, Nightshade, White	PMS Cool Grey 3, PMS Cool Grey 7, Nightshade, White
Label Logo 3 - 057380	Columbia Grey, White	Columbia Grey, White	Columbia Grey, White	Columbia Grey, White	Columbia Grey, White	Columbia Grey, White	Columbia Grey, White	Columbia Grey, White	Columbia Grey, White	Columbia Grey, White
Label 1 - 006564	White, Black	White, Black	White, Black	White, Black	White, Black	White, Black	White, Black	White, Black	White, Black	White, Black
Hangtag Package Part - 121612	Artwork	Artwork	Artwork	Artwork	Artwork	Artwork	Artwork	Artwork	Artwork	Artwork
Hangtag Package Part - 126967										
Hangtag Package Part - 111006										
Packaging 2 - 980010	Stock	Stock	Stock	Stock	Stock	Stock	Stock	Stock	Stock	Stock
Packaging 1 - 980001										
Packaging 3 - 064194										

## Color Specification

Line Slot: Slack Tide Solid Camp Shirt  
 Merchandise Division: Sportswear  
 Designer: mdavis  
 Fit Engineer: alicehan

Merchandise Collection: PFG  
 Developer: wendall.nelson

State: Production  
 Product Class: Woven Tops S/S  
 LO Developer: nguyen.dung

Season: F24  
 Sourcing Manager: melissa.gallagher



Design:	S5MS157705	Sample LO:		Production LO:	India		
Style	Material Style	Style Description	Pattern	Base Size	Size Scale	Fit	SMU Type
FM7042	1577051	Slack Tide™ Camp Shirt	M15M1024	M	XS - XXL	Regular	N/A

Component - Material	469-Carbon	487-Vivid Blue	499-Gulf Stream	596-Minuet	607-Beet	696-Red Spark	852-Faded Peach
Shell 1 - 099294	Carbon	Vivid Blue	Gulf Stream	Minuet	Beet	Red Spark	Faded Peach
Button 1 - 400070							
Thread 1 - 008214							
Lining 1 - 055984	Cool Grey	Cool Grey	Cool Grey	Cool Grey	Cool Grey	Cool Grey	Cool Grey
Lining 2 - 200001	White	White	White	White	White	White	White
Interfacing 1 - 011953							
Direct Embroidery 1 - 022083	Columbia Grey	Columbia Grey	White	Columbia Grey	Columbia Grey	Grill	Columbia Grey
Drawcord-Cording-Laces 1 - 070437	Cool Grey, Grill, White, Nightshade	Cool Grey, Grill, White, Nightshade	Cool Grey, Grill, White, Nightshade	Cool Grey, Grill, White, Nightshade	Cool Grey, Grill, White, Nightshade	Cool Grey, Grill, White, Nightshade	Cool Grey, Grill, White, Nightshade
Heat Transfer Glued 1 - 036635	White, Columbia Grey, Compass Blue	White, Columbia Grey, Compass Blue	White, Columbia Grey, Compass Blue	White, Columbia Grey, Compass Blue	White, Columbia Grey, Compass Blue	White, Columbia Grey, Compass Blue	White, Columbia Grey, Compass Blue
Label Logo 1 - 080595	Cool Grey, Nightshade	Cool Grey, Nightshade	Cool Grey, Nightshade	Cool Grey, Nightshade	Cool Grey, Nightshade	Cool Grey, Nightshade	Cool Grey, Nightshade
Label Logo 2 - 058652	PMS Cool Grey 3, PMS Cool Grey 7, Nightshade, White	PMS Cool Grey 3, PMS Cool Grey 7, Nightshade, White	PMS Cool Grey 3, PMS Cool Grey 7, Nightshade, White	PMS Cool Grey 3, PMS Cool Grey 7, Nightshade, White	PMS Cool Grey 3, PMS Cool Grey 7, Nightshade, White	PMS Cool Grey 3, PMS Cool Grey 7, Nightshade, White	PMS Cool Grey 3, PMS Cool Grey 7, Nightshade, White
Label Logo 3 - 057380	Columbia Grey, White	Columbia Grey, White	Columbia Grey, White	Columbia Grey, White	Columbia Grey, White	Columbia Grey, White	Columbia Grey, White
Label 1 - 006564	White, Black	White, Black	White, Black	White, Black	White, Black	White, Black	White, Black
Hangtag Package Part - 121612	Artwork	Artwork	Artwork	Artwork	Artwork	Artwork	Artwork
Hangtag Package Part - 126967							
Hangtag Package Part - 111006							
Packaging 2 - 980010	Stock	Stock	Stock	Stock	Stock	Stock	Stock
Packaging 1 - 980001							
Packaging 3 - 064194							

This is confidential and proprietary information of Columbia Sportswear Company. You agree that you will not disclose this information to any third party or use it for any purpose other than on behalf of Columbia. You have no right to use Columbia's name or any of its trademarks, trade names, copyrights, patents, designs or other intellectual property except as set forth in writing by Columbia.

### Costing BOM

Line Slot: Slack Tide Solid Camp Shirt  
 Merchandise Division: Sportswear  
 Designer: mdavis  
 Fit Engineer: alicehan

Merchandise Collection: PFG  
 Developer: wendall.nelson

State: Production  
 Product Class: Woven Tops S/S  
 LO Developer: nguyen.dung

Season: F24  
 Sourcing Manager: melissa.gallagher



Design:	S5MS157705	Sample LO:		Production LO:	India		
Style	Material Style	Style Description	Pattern	Base Size	Size Scale	Fit	SMU Type
FM7042	1577051	Slack Tide™ Camp Shirt	M15M1024	M	XS - XXL	Regular	N/A

Colorway Number	Color Way	FOB Material	CIF Material	FOB Trim	CIF Trim	Allowance %	Total FOB	Total CIF
010	Black	2.788	0.000	0.527	0.101	0.0	3.315	0.101
019	Cool Grey	2.788	0.000	0.527	0.101	0.0	3.315	0.101
023	City Grey	2.788	0.000	0.527	0.101	0.0	3.315	0.101
100	White	2.788	0.000	0.527	0.101	0.0	3.315	0.101
301	Midnight Teal	2.788	0.000	0.527	0.101	0.0	3.315	0.101
316	Cypress	2.788	0.000	0.527	0.101	0.0	3.315	0.101
381	Smokey Sage	2.788	0.000	0.527	0.101	0.0	3.315	0.101
417	Ocean Blue	2.788	0.000	0.527	0.101	0.0	3.315	0.101
461	Crushed Blue	2.788	0.000	0.527	0.101	0.0	3.315	0.101
464	Collegiate Navy	2.788	0.000	0.527	0.101	0.0	3.315	0.101
469	Carbon	2.788	0.000	0.527	0.101	0.0	3.315	0.101
487	Vivid Blue	2.788	0.000	0.527	0.101	0.0	3.315	0.101
499	Gulf Stream	2.788	0.000	0.527	0.101	0.0	3.315	0.101
596	Minuet	2.788	0.000	0.527	0.101	0.0	3.315	0.101
607	Beet	2.788	0.000	0.527	0.101	0.0	3.315	0.101
696	Red Spark	2.788	0.000	0.527	0.101	0.0	3.315	0.101
852	Faded Peach	2.788	0.000	0.527	0.101	0.0	3.315	0.101

### Costing BOM

Line Slot: Slack Tide Solid Camp Shirt  
 Merchandise Division: Sportswear  
 Designer: mdavis  
 Fit Engineer: alicehan

Merchandise Collection: PFG  
 Developer: wendall.nelson

State: Production  
 Product Class: Woven Tops S/S  
 LO Developer: nguyen.dung

Season: F24  
 Sourcing Manager: melissa.gallagher



Design: S5MS157705	Sample LO:	Production LO: India	
Style: FM7042	Material Style: 1577051	Style Description: Slack Tide™ Camp Shirt	Pattern: M15M1024
		Base Size: M	Size Scale: XS - XXL
		Fit: Regular	SMU Type: N/A

Component	Material	Description	Fabric Width	Supplier	Locked	Country of Origin	Managin g Liaison Office	UoM	Target Cost	FOB Unit Cost	CIF Unit Cost	Usage	Wastage %	Total FOB	Total CIF
Shell 1	099294	SlackTide dobby UPF 50	54.0	Haren Textiles Pvt. Ltd.	Y	India	India	yd	0.0	1.8	<b>0.0</b>	1.410	3	2.614	<b>0.000</b>
Lining 1	055984	Polyester Microfiber Sueded face and back	63.0	Far Eastern Textile Ltd.	N	Taiwan	Taiwan-Taipei	yd	2.94	2.3	<b>0.0</b>	0.010	7	0.025	<b>0.000</b>
Lining 2	200001	Mesh-Warp Knit 2mm mesh hole size	60.0	Haren Textiles Pvt. Ltd.	Y	India	India	yd	0.0	0.44	<b>0.0</b>	0.170	7	0.080	<b>0.000</b>
Interfacing 1	011953	Interlining Non-Woven Fusible Medium Weight for Garment Wash	60.0	PCC asia LLC	Y	China	India	yd	0.0	0.42	<b>0.0</b>	0.160	3	0.069	<b>0.000</b>

### Costing BOM

Line Slot: Slack Tide Solid Camp Shirt  
 Merchandise Division: Sportswear  
 Designer: mdavis  
 Fit Engineer: alicehan

Merchandise Collection: PFG  
 Developer: wendall.nelson

State: Production  
 Product Class: Woven Tops S/S  
 LO Developer: nguyen.dung

Season: F24  
 Sourcing Manager: melissa.gallagher



Design: S5MS157705  
 Style: Material Style  
 FM7042 1577051

Sample LO:  
 Style Description: Slack Tide™ Camp Shirt  
 Pattern: M15M1024

Production LO: India  
 Base Size: M  
 Size Scale: XS - XXL

Fit: Regular  
 SMU Type: N/A

Component	Material	Description	Fabric Width	Supplier	Locked	Country of Origin	Managin g Liaison Office	UoM	Target Cost	FOB Unit Cost	CIF Unit Cost	Usage	Wastage %	Total FOB	Total CIF
Button 1	400070	20L 4H Columbia Logo Button or Lt Horn DTM (White is not available)(Call out Light Horn on BOM for Light Horn, undyed)	0.0	BANGAL ORE SALES CORPORATION	Y	India	India	ea	0.0	0.0087	0.0	7.000	2.0	0.062	0.000
Direct Embroidery 1	022083	70mm Omni-Shade Embroidery 1 cr. Est st ct 774	0.0	FGV Sourced	N	unassigne d	Portland	ea	0.0	0.0	0.0	1.000	2.0	0.000	0.000
Drawcord-Cording-Laces 1	070437	2.5mm 4 color non stretch d/c	0.0	FGV - Shahi Exports Pvt. (SEP) Ltd.	Y	India	India	yd	0.0	0.0406	0.0	0.060	7.0	0.003	0.000



### Costing BOM

Line Slot: Slack Tide Solid Camp Shirt  
 Merchandise Division: Sportswear  
 Designer: mdavis  
 Fit Engineer: alicehan

Merchandise Collection: PFG  
 Developer: wendall.nelson

State: Production  
 Product Class: Woven Tops S/S  
 LO Developer: nguyen.dung

Season: F24  
 Sourcing Manager: melissa.gallagher



Design: S5MS157705  
 Style: Material Style  
 FM7042 1577051

Sample LO:  
 Style Description Pattern  
 Slack Tide™ M15M1024  
 Camp Shirt

Production LO: India  
 Base Size: M  
 Size Scale: XS - XXL  
 Fit: Regular  
 SMU Type: N/A

Component	Material	Description	Fabric Width	Supplier	Locked	Country of Origin	Managing Liaison Office	UoM	Target Cost	FOB Unit Cost	CIF Unit Cost	Usage	Wastage %	Total FOB	Total CIF
Heat Transfer Glued 1	036635	47.4mm Gem Columbia heat Transfer brand size 2 3 clr CANNOT SHOW INSEAM	0.0	Stapros	N	Taiwan	Taiwan-Taipei	ea	0.0	0.09	0.099	1.000	2.0	0.092	0.101
Label Logo 1	080595	27mm Gem Columbia PFG Woven Clamshell Label with folded ends (Above) 2 clr	0.0	Avery Dennison Global	N	unassigned	Portland	ea	0.0	0.03133	0.0	1.000	3.0	0.032	0.000
Label Logo 2	058652	51mm PFG Triangle Logo laser Cut Wwn label	0.0	Avery Dennison Global	N	China	Portland	ea	0.0	0.04705	0.0	1.000	3.0	0.048	0.000
Label Logo 3	057380	15mm Double-sided sun glasses woven swing label 2 clr	0.0	Dong Young	Y	South Korea	Taiwan-Taipei	ea	0.0	0.02	0.0	1.000	3.0	0.021	0.000

### Costing BOM

Line Slot: Slack Tide Solid Camp Shirt  
 Merchandise Division: Sportswear  
 Designer: mdavis  
 Fit Engineer: alicehan

Merchandise Collection: PFG  
 Developer: wendall.nelson

State: Production  
 Product Class: Woven Tops S/S  
 LO Developer: nguyen.dung

Season: F24  
 Sourcing Manager: melissa.gallagher



Design: S5MS157705  
 Style: Material Style  
 FM7042 1577051

Sample LO:  
 Style Description Pattern  
 Slack Tide™  
 Camp Shirt M15M1024

Production LO: India  
 Base Size: M  
 Size Scale: XS - XXL  
 Fit: Regular  
 SMU Type: N/A

Component	Material	Description	Fabric Width	Supplier	Locked	Country of Origin	Managing Liaison Office	UoM	Target Cost	FOB Unit Cost	CIF Unit Cost	Usage	Wastage %	Total FOB	Total CIF
Thread 1	008214	Coats ASTRA Spun Polyester Tex 27 40/2	0.0	Coats Global Thread	N	unassigned	Portland	meter	0.0	0.0003	0.0	425.000	5.0	0.134	0.000
Label 1	006564	33mm Care Content ECO Booklet Fold label with fully translated country of origin WHT/BLK for most, BLK/WHT for Titanium only, GRY/BLK is for Garment DYE ONLY	0.0	Avery Dennison Global	N	China	Portland	ea	0.0	0.01905	0.0	1.000	3.0	0.020	0.000

### Costing BOM

Line Slot: Slack Tide Solid Camp Shirt  
 Merchandise Division: Sportswear  
 Designer: mdavis  
 Fit Engineer: alicehan

Merchandise Collection: PFG  
 Developer: wendall.nelson

State: Production  
 Product Class: Woven Tops S/S  
 LO Developer: nguyen.dung

Season: F24  
 Sourcing Manager: melissa.gallagher



Design: S5MS157705  
 Style: Material Style  
 FM7042 1577051

Sample LO:  
 Style Description: Slack Tide™ Camp Shirt  
 Pattern: M15M1024

Production LO: India  
 Base Size: M  
 Size Scale: XS - XXL  
 Fit: Regular  
 SMU Type: N/A

Component	Material	Description	Fabric Width	Supplier	Locked	Country of Origin	Managing Liaison Office	UoM	Target Cost	FOB Unit Cost	CIF Unit Cost	Usage	Wastage %	Total FOB	Total CIF
Hangtag Package Part	121612	MSRP/UPC with RFID Specs for MSRP. Please refer to VAS specs for any exceptions. MSRP required on all product shipping to the US.	0.0	Avery Dennison Global	N	unassigned	Portland	ea	0.0	0.04875	0.0	1.000	0.0	0.049	0.000
Hangtag Package Part	111006	PFG Omni-Shade UPF 50, Omni-Wick Hangtag	0.0	Hang Sang Press Co. Ltd	N	unassigned	Portland	ea	0.0	0.0287	0.0	1.000	0.0	0.029	0.000
Hangtag Package Part	126967	Regular Fit Swing Tag	0.0	Hang Sang Press Co. Ltd	N	unassigned	Portland	ea	0.0	0.023	0.0	1.000	0.0	0.023	0.000

### Costing BOM

Line Slot: Slack Tide Solid Camp Shirt  
 Merchandise Division: Sportswear  
 Designer: mdavis  
 Fit Engineer: alicehan

Merchandise Collection: PFG  
 Developer: wendall.nelson

State: Production  
 Product Class: Woven Tops S/S  
 LO Developer: nguyen.dung

Season: F24  
 Sourcing Manager: melissa.gallagher



Design: S5MS157705  
 Style: Material Style  
 FM7042 1577051

Sample LO:  
 Style Description Pattern  
 Slack Tide™  
 Camp Shirt M15M1024

Production LO: India  
 Base Size: M  
 Size Scale: XS - XXL  
 Fit: Regular  
 SMU Type: N/A

Component	Material	Description	Fabric Width	Supplier	Locked	Country of Origin	Managing Liaison Office	UoM	Target Cost	FOB Unit Cost	CIF Unit Cost	Usage	Wastage %	Total FOB	Total CIF
Packaging 1	980001	Polybag See Standard CCS 4200 for specifications	0.0	Contractor	N	unassigned	Hong Kong	ea	0.0	0.0	0.0	1.000	3.0	0.000	0.000
Packaging 2	980010	UPC Bag Sticker Generic (MHW/Columbia) See CCS4400/4401 and MHW4402 for Mt Hardware for instructions	0.0	Avery Dennison Global	Y	China	Portland	ea	0.0	0.01323	0.0	1.000	5.0	0.014	0.000
Packaging 3	064194	Outer Carton for costing purpose only	0.0	Contractor	N	unassigned	Hong Kong	ea	0.0	0.0	0.0	1.000	3.0	0.000	0.000

### Costing BOM

Line Slot: Slack Tide Solid Camp Shirt		State: Production		Season: F24			
Merchandise Division: Sportswear		Merchandise Collection: PFG		Product Class: Woven Tops S/S			
Designer: mdavis		Developer: wendall.nelson		LO Developer: nguyen.dung			
Fit Engineer: alicehan		Sourcing Manager: melissa.gallagher					
Design:	S5MS157705	Sample LO:	Production LO:		India		
Style	Material Style	Style Description	Pattern	Base Size	Size Scale	Fit	SMU Type
FM7042	1577051	Slack Tide™ Camp Shirt	M15M1024	M	XS - XXL	Regular	N/A



This is confidential and proprietary information of Columbia Sportswear Company. You agree that you will not disclose this information to any third party or use it for any purpose other than on behalf of Columbia. You have no right to use Columbia's name or any of its trademarks, trade names, copyrights, patents, designs or other intellectual property except as set forth in writing by Columbia.

### Instructions

Line Slot: Slack Tide Solid Camp Shirt      State: Production      Season: F24  
 Merchandise Division: Sportswear      Merchandise Collection: PFG      Product Class: Woven Tops S/S  
 Designer: mdavis      Developer: wendall.nelson      LO Developer: nguyen.dung      Sourcing Manager: melissa.gallagher  
 Fit Engineer: alicehan  
 Design: S5MS157705      Sample LO:      Production LO: India  
 Style      Material Style      Style Description      Pattern      Base Size      Size Scale      Fit      SMU Type  
 FM7042      1577051      Slack Tide™ Camp Shirt      M15M1024      M      XS - XXL      Regular      N/A



Category	Subcategory	Description	Comments
BUTTONHOLES	BUTTONHOLES FUNCTIONAL	SIZED TO ACCOMMODATE BUTTON	6 Front Placket
BARTACKS	BARTACK FUNCTIONAL	3/8 INCH IN LENGTH	1 Sunglass loop 2 Chest pocket opening 4/2 Back vent opening
		1/2 INCH IN LENGTH	2/1 Side vent
EYELETS (SEWN)	EYELETS (SEWN)	SEE COMMENTS	3 Chest Pocket

This is confidential and proprietary information of Columbia Sportswear Company. You agree that you will not disclose this information to any third party or use it for any purpose other than on behalf of Columbia. You have no right to use Columbia's name or any of its trademarks, trade names, copyrights, patents, designs or other intellectual property except as set forth in writing by Columbia.

## Care Report

Line Slot: Slack Tide Solid Camp Shirt		State: Production		Season: F24			
Merchandise Division: Sportswear		Merchandise Collection: PFG		Product Class: Woven Tops S/S			
Designer: mdavis		Developer: wendall.nelson		LO Developer: nguyen.dung			
Fit Engineer: alicehan				Sourcing Manager: melissa.gallagher			
Design:	S5MS157705	Sample LO:		Production LO:	India		
Style	Material Style	Style Description	Pattern	Base Size	Size Scale	Fit	SMU Type
FM7042	1577051	Slack Tide™ Camp Shirt	M15M1024	M	XS - XXL	Regular	N/A



Care Code: 1050		Color Way Number	Color Way Name
<b>English</b>	Machine Wash Cold Gentle, Wash Separately, Do Not Bleach, Tumble Dry Low, Remove Promptly, Iron Low, Do Not Use Fabric Softener, Do Not Dryclean	010	Black
<b>French</b>	Lavage machine à froid, Cycle délicat, Laver séparément, Ne pas utiliser d'eau de javel, Séchage machine, basse température, Sortir immédiatement de la machine, Repasser à basse température, Ne pas utiliser d'assouplissant, Nettoyage à sec interdit	019	Cool Grey
<b>German</b>	Schonwaschgang mit kaltem Wasser, Separat waschen, Keine Bleichmittel verwenden, Trocknen im Wäschetrockner bei niedriger Temperatur, Sofort aus dem Trockner nehmen, Bügeln mit niedriger Temperatur, Keine Weichspüler verwenden, Nicht chemisch reinigen	023	City Grey
<b>Portuguese</b>	Lavar à maquina com água fria, ciclo para roupas delicadas, Lavar separadamente, Não alvejar, Secar à máquina em temperatura baixa, Remover prontamente, Passar a ferro em baixa temperatura, Não usar amaciante, Não utilizar limpeza a seco	100	White
<b>Spanish</b>	Lavar a maquina con agua fría, en ciclo delicado, Lavar por separado, No usar lejía, Usar secadora a temperatura baja, Retirar inmediatamente, Planchar a temperatura baja, No usar suavizante de telas, No lavar en seco	301	Midnight Teal
<b>Italian</b>	Lavare in lavatrice in acqua fredda, ciclo delicato, Lavare separatamente, Non candeggiare, Asciugare a tamburo a bassa temperatura, Rimuovere tempestivamente, Stirare con ferro a temperatura bassa, Non utilizzare ammorbidente, Non lavare a secco	316	Cypress
<b>Russian</b>	Щадящая машинная стирка в холодной воде, Стирать отдельно, Не отбеливать, Сушить при низкой температуре, Сразу убрать из сушилки, Гладить при низкой температуре, Не использовать кондиционер для тканей, Химчистка запрещена	381	Smokey Sage
<b>Czech Republican</b>	Praní v pračce při nízké teplotě, jemný cyklus, Prát samostatně, Nebělit, Sušení v sušičce, nízká teplota, Ihned odepnout, Žehlení při nízké teplotě, Nepoužívat aviváž, Nečistit chemicky	417	Ocean Blue
<b>Hebrew</b>	כביסה במכונה במים קרים, כביסה עדינה, לכבס בנפרד, לא להלבין, לייבש במייבש כביסה בחום נמוך, להסיר מיד, לגרוך בחום נמוך, לא להשתמש במרכך כביסה, לא לנקות בניקוי יבש	461	Crushed Blue
<b>Hungarian</b>	Géppel mossa, hideg vízzel, kímélő programmal, Különválasztva mossa, Ne hasznájon fehérítőt, Szárítógépben alacsony hőfokon szárítsa, Mosás után azonnal vegye ki a gépből, Alacsony hőfokon vasalja, Ne hasznájon öblítőszer, Ne vegytisztítsa	464	Collegiate Navy
<b>Polish</b>	Prać w temperaturze nie przekraczającej 30°C, cykl delikatny, Prac oddzielnie, Nie chlorować, Można suszyć bębnowo, niska temperatura, Natychmiast usunąć, Prasować w temperaturze do 100°C, Nie używać zmiękczacza do tkanin, Nie czyścić chemicznie	469	Carbon
<b>Portuguese Brazil</b>	Lavar à maquina com água fria, ciclo para roupas delicadas, Lavar separadamente, Não alvejar, Secar em tambor rotativo em temperatura baixa, Remover prontamente, Passar a ferro em baixa temperatura, Não usar amaciante, Não utilizar limpeza a seco	487	Vivid Blue
<b>Slovakian</b>	Perte v pračce v studenej vode, šetriaci program, Perte oddelene, Neodfarbujte, Sušte v bubnovej sušičke pri nízkych otáčkach, Okamžite odstráňte, Žehlite žehličkou s nízkou teplotou, Nepoužívajte avivážne prípravky, Nečistite chemicky	499	Gulf Stream
<b>Slovenian</b>	Nežno mrzlo strojno pranje, Prati posebej, Ne belite, Nizko strojno sušenje, Odstraniti takoj, Nizko likanje, Ne uporabljati mehčalca, Ne suho čistiti	596	Minuet
<b>Spanish Latin American</b>	Lavar a maquina con agua fría, en ciclo delicado, Lavar por separado, No usar blanqueador, Usar secadora a temperatura baja, Retirar inmediatamente, Planchar a temperatura baja, No usar suavizante de telas, No lavar en seco	607	Beet
<b>Turkish</b>	Makinada Yikanır, Soğuk, Narin Program, Ayrı Yıkayın, Ağartıcı Kullanmayın, Tambur Kurutma, Düşük, Hemen Çıkarın, Düşük Isıda Ütüleyin, Çamaşır Yumuşatıcısı Kullanmayın, Kuru Temizleme Yapmayın	696	Red Spark
<b>Chinese Simplified</b>	冷水慢循环机洗, 分开洗涤, 请勿漂白, 低温滚筒烘干, 及时拆除, 低温熨烫, 请勿使用织物柔软剂, 请勿干洗	852	Faded Peach
<b>Chinese Traditional</b>	冷水慢迴圈機洗, 分開洗滌, 請勿漂白, 低溫滾筒烘乾, 及時拆除, 低溫熨燙, 請勿使用織物柔軟劑, 請勿乾洗		
<b>Japanese</b>	洗濯機水洗い(デリケートコース)、個別に洗濯してください、漂白剤使用不可、乾燥機使用可(低温)、すぐに外してください、アイロン可(低温)、柔軟剤の使用不可、ドライクリーニング不可		
<b>Korean</b>	가, 가,		
<b>Danish</b>	Kold maskinvask, skåneprogram, Vask separat, Må ikke afbleges, Tør i tørretumbler, lav, Fjern med det samme, Stryges ved lav temperatur, Brug ikke skyllemiddel, Må ikke renses kemisk		

### Care Report

Line Slot: Slack Tide Solid Camp Shirt

State: Production

Season: F24

Merchandise Division: Sportswear

Merchandise Collection: PFG

Product Class: Woven Tops S/S

Designer: mdavis

Developer: wendall.nelson

LO Developer: nguyen.dung

Sourcing Manager: melissa.gallagher

Fit Engineer: alicehan



Design: S5MS157705

Sample LO:

Production LO: India

Style Material Style

Style Description Pattern

Base Size

Size Scale

Fit

SMU Type

FM7042

1577051

Slack Tide™  
Camp Shirt

M

XS - XXL

Regular

N/A

<b>Norwegian</b>	Maskinvask kald, forsiktig, Vaskes separat, Må ikke blekes, Tørketrommel, lav, Fjernes umiddelbart, Strykes lav temp., Ikke bruk tøymykner, Skal ikke renses
<b>Swedish</b>	Maskintvättas kallt mjuk cykel, Tvättas separat, Får inte blekas, Torktumlas på låg nivå, Ta bort omgående, Stryks på lägsta nivå, Sköljmedel får inte användas, Kemtvättas inte
<b>Dutch</b>	Koud wassen in wasmachine op zacht, Apart wassen, Niet bleken, In droger op laag, Meteen verwijderen, Op laag strijken, Geen wasverzachter gebruiken, Niet laten stomen
<b>French Canadian</b>	Laver à la machine à l'eau froide, cycle délicat, Laver séparément, Ne pas utiliser d'agent de blanchiment, Séchage par culbutage à basse température, Retirer aussitôt sec, Repasser à basse température, Ne pas utiliser d'assouplisseur, Ne pas nettoyer à sec





## Content Report

Line Slot: Slack Tide Solid Camp Shirt	State: Production	Season: F24
Merchandise Division: Sportswear	Merchandise Collection: PFG	Product Class: Woven Tops S/S
Designer: mdavis	Developer: wendall.nelson	LO Developer: nguyen.dung
Fit Engineer: alicehan		Sourcing Manager: melissa.gallagher
Design: S5MS157705	Sample LO:	Production LO: India
Style: FM7042	Material Style: 1577051	Style Description: Slack Tide™ Camp Shirt
Pattern: M15M1024	Base Size: M	Size Scale: XS - XXL
	Fit: Regular	SMU Type: N/A



CONTENT CODE: BVO		Color Way Number	Color Way Name
Shell: 100% Polyester			
Lining: 100% Polyester Exclusive of Trimming			
FRENCH	Extérieur: 100% Polyester	461	Crushed Blue
	Doublure: 100% Polyester Sauf les bordures	596	Minuet
		301	Midnight Teal
GERMAN	Außenhülle: 100% Polyester	852	Faded Peach
	Futter: 100% Polyester Ohne Besatz	010	Black
PORTUGUESE	Exterior: 100% Poliéster	019	Cool Grey
	Revestimento: 100% Poliéster Sem orlas	023	City Grey
SPANISH	Cubierta: 100% Poliéster	100	White
	Revestimiento: 100% Poliéster Exclusivo de los ribetes	316	Cypress
ITALIAN	Guscio esterno: 100% Poliestere	417	Ocean Blue
	Fodera: 100% Poliestere Ad eccezione dei bordini	464	Collegiate Navy
RUSSIAN	Оболочка: 100% Полиэфир	469	Carbon
	Подклад: 100% Полиэфир Без дополнительных деталей	487	Vivid Blue
CZECH REPUBLICAN	Skořepina: 100% Polyester	499	Gulf Stream
	Podšívka: 100% Polyester Bez nášivek		
HEBREW	מעטפת חיצונית: 100% פוליאסטר	607	Beet
	בטנה: 100% פוליאסטר ללא קישוט	696	Red Spark
HUNGARIAN	Külső: 100% Poliészter	381	Smokey Sage
	Bélés: 100% Poliészter Szegélydíszen kívül		
POLISH	Powłoka: 100% Poliester		
	Podszewka: 100% Poliester Wyłączając naszywki		
PORTUGUESE BRAZIL	Exterior: 100% Poliéster		
	Forro: 100% Poliéster Sem adornos		
SLOVAKIAN	Plášť: 100% Polyester		
	Podšívka: 100% Polyester Okrem lemovania		
SLOVENIAN	Lupina: 100% Poliester		
	Podloga: 100% Poliester Brez obrezovanja		
SPANISH LATIN AMERICAN	Cubierta: 100% Poliéster		
	Revestimiento: 100% Poliéster Exclusivo de los ribetes		
TURKISH	Kabuk: 100% Polyester		
	Astar: 100% Polyester Süsler Hariç		

## Content Report

Line Slot: Slack Tide Solid Camp Shirt

State: Production

Season: F24

Merchandise Division: Sportswear

Merchandise Collection: PFG

Product Class: Woven Tops S/S

Designer: mdavis

Developer: wendall.nelson

LO Developer: nguyen.dung

Sourcing Manager: melissa.gallagher

Fit Engineer: alicehan



Design: S5MS157705

Sample LO:

Production LO: India

Style Material Style

Style Description Pattern

Base Size Size Scale

Fit SMU Type

FM7042 1577051

Slack Tide™  
Camp Shirt M15M1024

M XS - XXL

Regular N/A

<b>CHINESE SIMPLIFIED</b>	<b>外壳:</b>	<b>100% 聚酯</b>
	<b>衬里:</b>	<b>100% 聚酯 不包括装饰品</b>
<b>CHINESE TRADITIONAL</b>	<b>外壳:</b>	<b>100% 聚酯</b>
	<b>衬里:</b>	<b>100% 聚酯 不包括装饰品</b>
<b>JAPANESE</b>	<b>シエル:</b>	<b>100% ポリエステル</b>
	<b>裏地:</b>	<b>100% ポリエステル 装飾品を除く</b>
<b>KOREAN</b>	<b>:</b>	<b>100%</b>
	<b>:</b>	<b>100%</b>
<b>DANISH</b>	<b>Skal:</b>	<b>100% Polyester</b>
	<b>Foring:</b>	<b>100% Polyester Inkluderer ikke kant</b>
<b>NORWEGIAN</b>	<b>Skall:</b>	<b>100% Polyester</b>
	<b>Foring:</b>	<b>100% Polyester Eksklusiv trimming</b>
<b>SWEDISH</b>	<b>Ytterdel:</b>	<b>100% Polyester</b>
	<b>Foder:</b>	<b>100% Polyester Utan trimming</b>
<b>DUTCH</b>	<b>Schelp:</b>	<b>100% Polyester</b>
	<b>Bekleding:</b>	<b>100% Polyester Exclusief trimmen</b>
<b>FRENCH CANADIAN</b>	<b>Extérieur:</b>	<b>100% Polyester</b>
	<b>Doublure:</b>	<b>100% Polyester Exclut les bordures</b>

### Pattern Piece Detail



Line Slot: Slack Tide Solid Camp Shirt      State: Production      Season: F24  
 Merchandise Division: Sportswear      Merchandise Collection: PFG      Product Class: Woven Tops S/S  
 Designer: mdavis      Developer: wendall.nelson      LO Developer: nguyen.dung      Sourcing Manager: melissa.gallagher  
 Fit Engineer: alicehan  
 Design: S5MS157705      Sample LO:      Production LO: India  
 Style      Material Style      Style Description      Pattern      Base Size      Size Scale      Fit      SMU Type  
 FM7042      1577051      Slack Tide™ Camp Shirt      M15M1024      M      XS - XXL      Regular      N/A

#### M15M1024 -

Component	Quantity	Long Description	Abbreviation	Code
-----------	----------	------------------	--------------	------

This is confidential and proprietary information of Columbia Sportswear Company. You agree that you will not disclose this information to any third party or use it for any purpose other than on behalf of Columbia. You have no right to use Columbia's name or any of its trademarks, trade names, copyrights, patents, designs or other intellectual property except as set forth in writing by Columbia.

### Measurements

Line Slot: Slack Tide Solid Camp Shirt  
 Merchandise Division: Sportswear  
 Designer: mdavis  
 Fit Engineer: alicehan

Merchandise Collection: PFG  
 Developer: wendall.nelson

State: Production  
 Product Class: Woven Tops S/S  
 LO Developer: nguyen.dung

Season: F24  
 Sourcing Manager: melissa.gallagher



Design: S5MS157705	Sample LO:	Production LO: India	
Style: Material Style	Style Description	Pattern	Base Size
FM7042	1577051	Slack Tide™ Camp Shirt	M15M1024
			M
			XS - XXL
			Fit: Regular
			SMU Type: N/A

Sort Order		Use	Type	Placemen t	(+/-)	XS	S	M	L	XL	XXL
Grade Rule: SP Mens Woven Top XXS-XXL (M) - Block: null											
345.0	CHEST (1 inch blw armhole)	QC	Graded		0.75	40.0	43.0	<b>46.0</b>	49.0	52.0	55.0
372.0	SHOULDER WIDTH	QC	Graded		0.375	17.5	18.5	<b>19.5</b>	20.5	21.5	22.5
379.0	SLEEVE LENGTH (CB) SHORT	QC	Graded		0.375	18.25	18.75	<b>19.5</b>	20.25	21.0	21.5
381.0	SLEEVE WIDTH (1 inch blw armhole)	QC	Graded		0.375	17.875	18.625	<b>19.375</b>	20.125	20.875	21.625
392.0	SLEEVE OPENING SHORT	QC	Graded		0.375	15.125	15.75	<b>16.375</b>	17.0	17.625	18.25
430.0	CENTER BACK LENGTH	QC	Graded		0.5	28.0	29.0	<b>30.0</b>	31.0	32.0	32.5
474.0	YOKE HEIGHT AT CB		Graded		0.25	3.625	3.75	<b>3.875</b>	4.0	4.125	4.25
478.0	NECK CIRCUMFERENCE	QC	Graded		0.25	16.0	17.0	<b>18.0</b>	19.0	20.0	21.0
494.0	COLLAR LENGTH AT TOP	QC	Graded		0.25	16.5	17.5	<b>18.5</b>	19.5	20.5	21.5
498.0	COLLAR HEIGHT AT CB		Graded		0.125	1.875	1.875	<b>1.875</b>	1.875	1.875	1.875
504.0	COLLAR STAND HEIGHT		Graded		0.125	1.25	1.25	<b>1.25</b>	1.25	1.25	1.25
508.0	FRONT PLACKET WIDTH		Graded		0.125	1.25	1.25	<b>1.25</b>	1.25	1.25	1.25
1600.0	SWEEP WIDTH - circumference - at top of vent	QC	Varies By Style		0.75	40.0	43.0	<b>46.0</b>	49.0	52.0	55.0
3680.0	COLLAR POINT LENGTH		Graded		0.125	2.25	2.25	<b>2.25</b>	2.25	2.25	2.25
6501.0	CHEST POCKET WIDTH		Varies By Style		0.125	4.5	4.5	<b>4.75</b>	4.75	5.0	5.0
6502.0	CHEST POCKET HEIGHT		Varies By Style		0.125	5.25	5.25	<b>5.5</b>	5.5	5.75	5.75
6950.0	SIDE SEAM VENT LENGTH		Varies By Style		0.125	2.0	2.0	<b>2.0</b>	2.0	2.0	2.0

### Measurements

Line Slot: Slack Tide Solid Camp Shirt		State: Production		Season: F24			
Merchandise Division: Sportswear	Merchandise Collection: PFG	Product Class: Woven Tops S/S		Sourcing Manager: melissa.gallagher			
Designer: mdavis	Developer: wendall.nelson	LO Developer: nguyen.dung					
Fit Engineer: alicehan							
Design: S5MS157705	Sample LO:	Production LO: India					
Style: FM7042	Material Style: 1577051	Style Description: Slack Tide™ Camp Shirt	Pattern: M15M1024	Base Size: M	Size Scale: XS - XXL	Fit: Regular	SMU Type: N/A



Sort Order		Use	Type	Placemen t	(+/-)	XS	S	M	L	XL	XXL
930.0	Drawcord-Cording-Laces 1		Compon ent		0.0	1.5	1.5	<b>1.5</b>	1.5	1.5	1.5

This is confidential and proprietary information of Columbia Sportswear Company. You agree that you will not disclose this information to any third party or use it for any purpose other than on behalf of Columbia. You have no right to use Columbia's name or any of its trademarks, trade names, copyrights, patents, designs or other intellectual property except as set forth in writing by Columbia.

**Sales Sample Comments - FM7042**

Line Slot: Slack Tide Solid Camp Shirt	State: Production	Season: F24
Designer: mdavis	Developer: wendall.nelson	LO Developer: nguyen.dung
Style	Material Style	Style Description
FM7042	1577051	Slack Tide™ Camp Shirt
Design	Pattern	Base Size
S5MS157705	M15M1024	M
Size Scale	Sample LO	Production LO
XS - XXL		India



Report #: 0000061152	Office: India	Factory Code: SEP	Factory Name: SHAHI EXPORTS PVT. LTD.
Sample Sizes: M	Estimated First Buy Date:		Factory Country of Origin: India
Comments: CC-301,381,461,852			

MEASUREMENT CHART - SIZE M

Point of Measure	Use	Type	(+/-)	Requested	LO Actual	Difference	QA Actual	Difference
SWEEP WIDTH - circumference - at top of vent	QC	Varies By Style	0.75	46.0				
CHEST (1 inch blw armhole)	QC	Graded	0.75	46.0				
SHOULDER WIDTH	QC	Graded	0.375	19.5				
SLEEVE LENGTH (CB) SHORT	QC	Graded	0.375	19.5				
SLEEVE WIDTH (1 inch blw armhole)	QC	Graded	0.375	19.375				
SLEEVE OPENING SHORT	QC	Graded	0.375	16.375				
CENTER BACK LENGTH	QC	Graded	0.5	30.0				
NECK CIRCUMFERENCE	QC	Graded	0.25	18.0				
COLLAR LENGTH AT TOP	QC	Graded	0.25	18.5				

**Liaison Office Comments dkalpana 9/20/2023 4:13:37 AM**

**Fabric**

Actual fabric used in sample.

UPF-50, Wicking

**Trims**

Actual trims used in sample

**Embellishment**

Direct Emb OMNI-SHADE

### Sales Sample Comments - FM7042

Line Slot: Slack Tide Solid Camp Shirt

State: Production

Season: F24

Designer: mdavis

Developer: wendall.nelson

LO Developer: nguyen.dung

Sourcing Manager: melissa.gallagher



Style	Material Style	Style Description	Design	Pattern	Base Size	Size Scale	Sample LO	Production LO
FM7042	1577051	Slack Tide™ Camp Shirt	S5MS157705	M15M1024	M	XS - XXL		India

Report #: 0000061152

Office: India

Factory Code: SEP

Factory Name: SHAHI EXPORTS PVT. LTD.

Sample Sizes: M

Estimated First Buy Date:

Factory Country of Origin: India

Comments: CC-301,381,461,852

Garment dye/Wash

Non Wash

Measurement

within Tolerance.

Construction

All construction we have followed as per C/O sample.

Blitz ( HT/Snap/Faux Down/ Seam Seal)

N/A

### Product Developer Comments

This is confidential and proprietary information of Columbia Sportswear Company. You agree that you will not disclose this information to any third party or use it for any purpose other than on behalf of Columbia. You have no right to use Columbia's name or any of its trademarks, trade names, copyrights, patents, designs or other intellectual property except as set forth in writing by Columbia.

### Thumbnail

Line Slot: Slack Tide Solid Camp Shirt

Merchandise Division: Sportswear

Designer: mdavis

Fit Engineer: alicehan

Merchandise Collection: PFG

Developer: wendall.nelson

State: Production

Product Class: Woven Tops S/S

LO Developer: nguyen.dung

Season: F24

Sourcing Manager: melissa.gallagher

Design: S5MS157705

Style Material Style

FM7042

1577051

Sample LO:

Style Description

Slack Tide™  
Camp Shirt

Pattern

M15M1024

Production LO: India

Base Size

M

Size Scale

XS - XXL

Fit

Regular

SMU Type

N/A



This is confidential and proprietary information of Columbia Sportswear Company. You agree that you will not disclose this information to any third party or use it for any purpose other than on behalf of Columbia. You have no right to use Columbia's name or any of its trademarks, trade names, copyrights, patents, designs or other intellectual property except as set forth in writing by Columbia.



## Technical

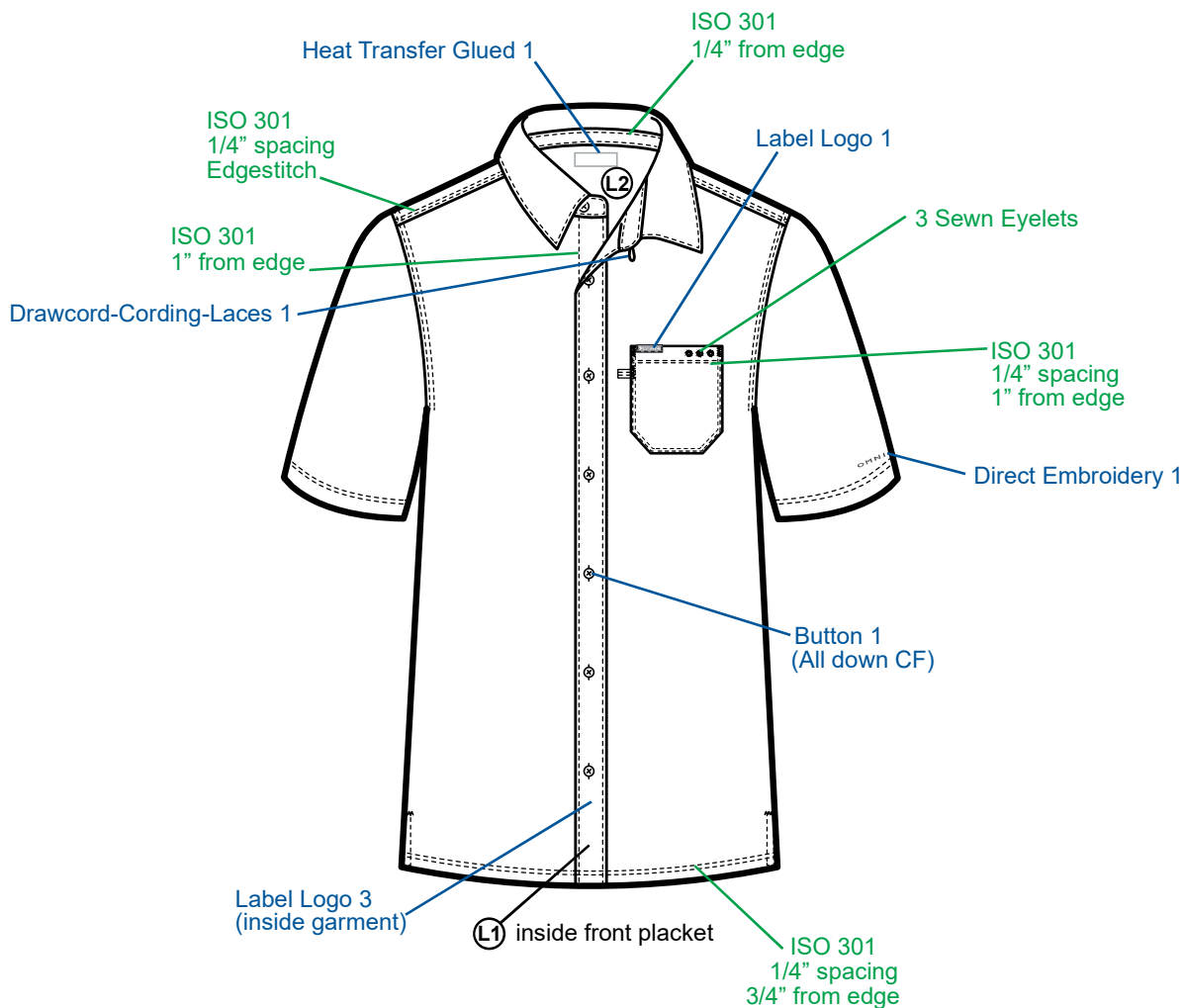
Line Slot: Slack Tide Solid Camp Shirt		State: Production		Season: F24			
Merchandise Division: Sportswear		Merchandise Collection: PFG		Product Class: Woven Tops S/S			
Designer: mdavis		Developer: wendall.nelson		LO Developer: nguyen.dung			
Fit Engineer: alicehan				Sourcing Manager: melissa.gallagher			
Design:	S5MS157705	Sample LO:		Production LO:	India		
Style	Material Style	Style Description	Pattern	Base Size	Size Scale	Fit	SMU Type
FM7042	1577051	Slack Tide™ Camp Shirt	M15M1024	M	XS - XXL	Regular	N/A



**Last Updated:** 08.23.2022 CD

All Topstitching is ISO 301 Edgestitch unless otherwise noted  
Use X stitch on all Buttons

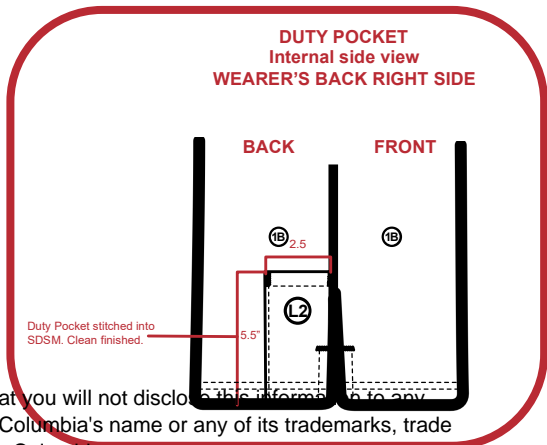
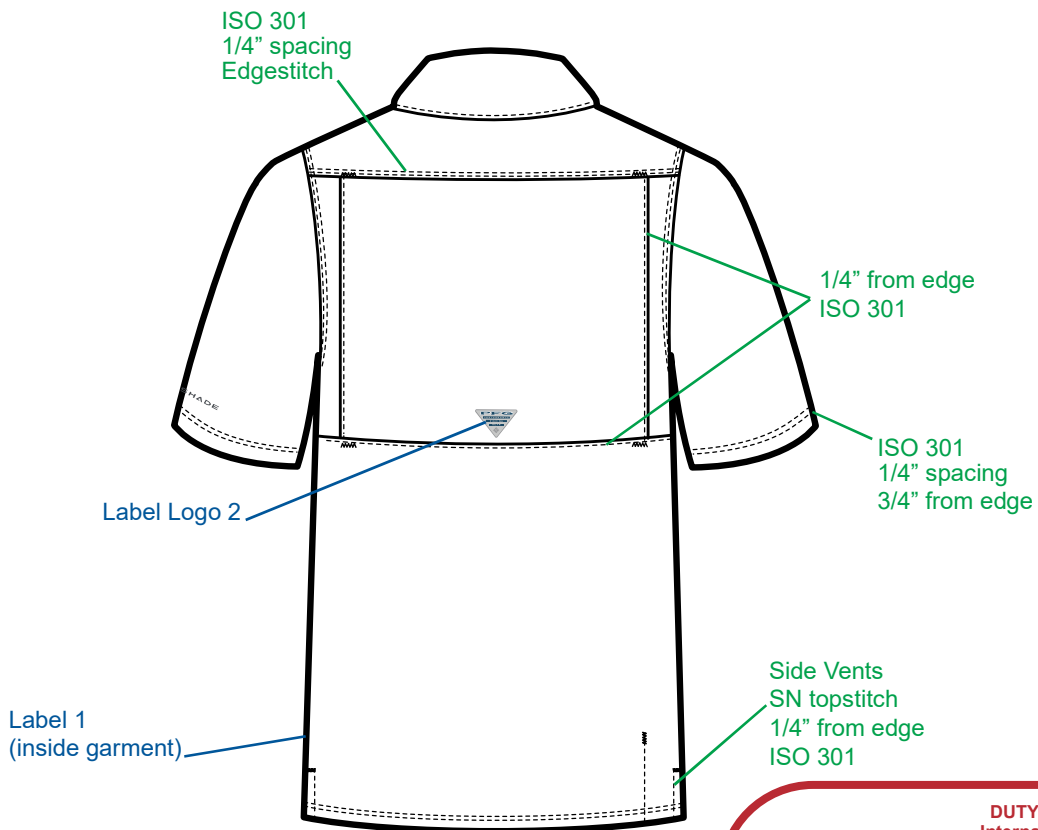
**\*\*All Shell ① Unless Indicated**



## Technical

Line Slot: Slack Tide Solid Camp Shirt      State: Production      Season: F24  
 Merchandise Division: Sportswear      Merchandise Collection: PFG      Product Class: Woven Tops S/S  
 Designer: mdavis      Developer: wendall.nelson      LO Developer: nguyen.dung      Sourcing Manager: melissa.gallagher  
 Fit Engineer: alicehan

Design:	S5MS157705	Sample LO:	Production LO:	India			
Style	Material Style	Style Description	Pattern	Base Size	Size Scale	Fit	SMU Type
FM7042	1577051	Slack Tide™ Camp Shirt	M15M1024	M	XS - XXL	Regular	N/A



This is confidential and proprietary information of Columbia Sportswear Company. You agree that you will not disclose this information to any third party or use it for any purpose other than on behalf of Columbia. You have no right to use Columbia's name or any of its trademarks, trade names, copyrights, patents, designs or other intellectual property except as set forth in writing by Columbia.

### Detail Sketch

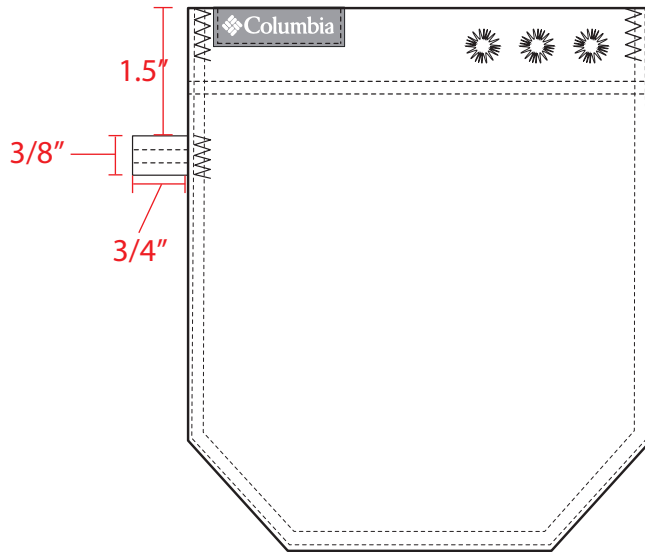
Line Slot: Slack Tide Solid Camp Shirt      State: Production      Season: F24  
 Merchandise Division: Sportswear      Merchandise Collection: PFG      Product Class: Woven Tops S/S  
 Designer: mdavis      Developer: wendall.nelson      LO Developer: nguyen.dung      Sourcing Manager: melissa.gallagher  
 Fit Engineer: alicehan

Design: S5MS157705      Sample LO:      Production LO: India

Style	Material Style	Style Description	Pattern	Base Size	Size Scale	Fit	SMU Type
FM7042	1577051	Slack Tide™ Camp Shirt	M15M1024	M	XS - XXL	Regular	N/A



Last Updated: 03.12.18 AW

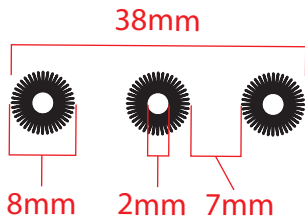


## Detail Sketch

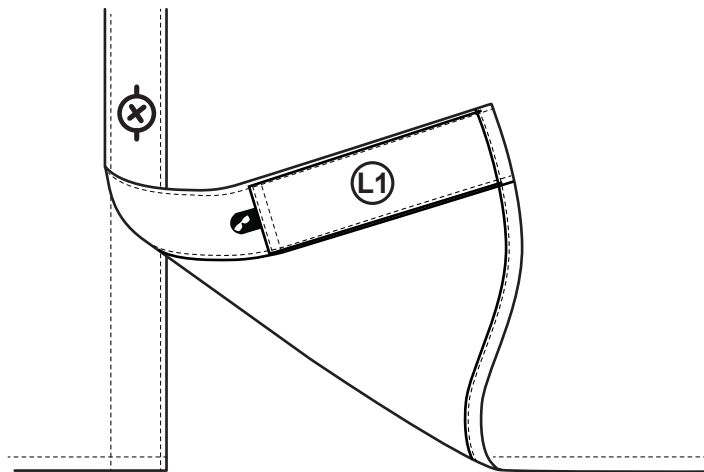
Line Slot: Slack Tide Solid Camp Shirt		State: Production	Season: F24				
Merchandise Division: Sportswear	Merchandise Collection: PFG	Product Class: Woven Tops S/S					
Designer: mdavis	Developer: wendall.nelson	LO Developer: nguyen.dung	Sourcing Manager: melissa.gallagher				
Fit Engineer: alicehan							
Design: S5MS157705	Sample LO:	Production LO:	India				
Style	Material Style	Style Description	Pattern	Base Size	Size Scale	Fit	SMU Type
FM7042	1577051	Slack Tide™ Camp Shirt	M15M1024	M	XS - XXL	Regular	N/A



### 3 EYELETS CONSTRUCTION



### SUNGLASS CLEANER PATCH CONSTRUCTION



This is confidential and proprietary information of Columbia Sportswear Company. You agree that you will not disclose this information to any third party or use it for any purpose other than on behalf of Columbia. You have no right to use Columbia's name or any of its trademarks, trade names, copyrights, patents, designs or other intellectual property except as set forth in writing by Columbia.

## CSC SAM

Line Slot: Slack Tide Solid Camp Shirt      State: Production      Season: F24  
 Merchandise Division: Sportswear      Merchandise Collection: PFG      Product Class: Woven Tops S/S  
 Designer: mdavis      Developer: wendall.nelson      LO Developer: nguyen.dung      Sourcing Manager: melissa.gallagher  
 Fit Engineer: alicehan



Design: S5MS157705      Sample LO:      Production LO: India  
 Style      Material Style      Style Description      Pattern      Base Size      Size Scale      Fit      SMU Type  
 FM7042      1577051      Slack Tide™ Camp Shirt      M15M1024      M      XS - XXL      Regular      N/A

Woven Tops-CM Estimation Template - for S15						
<b>Style No.:</b>	S5MS157705		← ↓ Input Style No.			
<b>Gender:</b>	Men		↓ Select Feature required for the style			
<b>SAM:</b>	30.52	<input checked="" type="checkbox"/>	← ↓ Check the box once all features all selected			
Back to Guidance	<b>Costing Advice</b>	<b>Location</b>	<b>Volume</b>	<b>Factory Code</b>	<b>Cost(CM)</b>	<b>Cost(CMP)</b>
	Select Location & volume	Vietnam	5K -20K	HNG	\$ 2.027	\$ 2.394

Parts	Part Description	Feature	SAM
Collar & Band	Normal Point Collar	Single Needle Topstitch Collar	3.950
	Button Down Collar	Select	*
	Collar Flap	Select	*
	Bartacks	Select	*
			3.950

Parts	Part Description	Feature	SAM
Front	Placket	Self Fold Pieced Front Placket w/fusible interlining(75cm)	2.868
	Cut Line	Single Horizontal Cut Line per front w/ SN Topstitch (25cm)	1.037
	Fishing Rod Holder	Select	*
	Buttons & Buttonholes	6 Buttons and Buttonholes w/ 1 Spare Button	1.186
	Decorative Stitch	Select	*
	Labels	Fix Logo Label on Front Placket	0.402
			5.492

Parts	Part Description	Feature	SAM
Pocket	Single Patch Pocket	Pointed Edge Patch Pocket w/ Self Fold Pkt Hem, 3 Grommets	1.592
	Double Patch Pocket	Select	*
	Stripe Matching	Select	*
	Patch -on -Patch Pkt	Select	*
	Insert Pocket	Select	*
	Bartacks	2 Bartacks	0.353
	Pocket Closure	Select	*
	Labels	Insert Logo Label	0.214
Decorative Stitch	Select	*	
			2.159

Parts	Part Description	Feature	SAM
Pocket Flap	Flap Shape	Select	*

### CSC SAM

Line Slot: Slack Tide Solid Camp Shirt      State: Production      Season: F24  
 Merchandise Division: Sportswear      Merchandise Collection: PFG      Product Class: Woven Tops S/S  
 Designer: mdavis      Developer: wendall.nelson      LO Developer: nguyen.dung      Sourcing Manager: melissa.gallagher  
 Fit Engineer: alicehan



Design: S5MS157705      Sample LO:      Production LO: India

Style	Material Style	Style Description	Pattern	Base Size	Size Scale	Fit	SMU Type
FM7042	1577051	Slack Tide™ Camp Shirt	M15M1024	M	XS - XXL	Regular	N/A

	Flap Shape -2	Select	▼	⏏	*
	Buttonhole /Velcro	Select	▼	⏏	*
	Bartacks	Select	▼	⏏	*
	Art work	Select	▼	⏏	*
	Setting Flap	Select	▼	⏏	*
					0.000

Parts	Part Description	Feature			SAM
Back	Back- Pleats	Select	▼	⏏	*
	Back -Yoke Join	Select	▼	⏏	*
	Cut line	Select	▼	⏏	*
	Back Venting	Back Top Venting construction w/ Fixed stitch on Back Top	▼	⏏	4.216
	Labels	Set One Heat Transfer label	▼	⏏	0.432
	Decorative Stitch	Select	▼	⏏	*
	Bartacks	3 Bartacks	▼	⏏	0.424
					5.072

Parts	Part Description	Feature			SAM
Sleeve	Sleeve Placket	Select	▼	⏏	*
	Buttons &Buttonholes	Select	▼	⏏	*
	Cut Line	Select	▼	⏏	*
	Roll Tabs	Select	▼	⏏	*
	Labels	Select	▼	⏏	*
	Bartacks	Select	▼	⏏	*

Parts	Part Description	Feature			SAM
Lining	Cut Line	Select	▼	⏏	*
	Sleeve Lining	Select	▼	⏏	*
	Quilting	Select	▼	⏏	*
					0.000

Parts	Part Description	Feature			SAM
Cuff	Cuff Shape	Select	▼	⏏	*
	Button & Buttonhole	Select	▼	⏏	*
	Bartacks	Select	▼	⏏	*
					0.000

### CSC SAM

Line Slot: Slack Tide Solid Camp Shirt      State: Production      Season: F24  
 Merchandise Division: Sportswear      Merchandise Collection: PFG      Product Class: Woven Tops S/S  
 Designer: mdavis      Developer: wendall.nelson      LO Developer: nguyen.dung      Sourcing Manager: melissa.gallagher  
 Fit Engineer: alicehan



Design: S5MS157705      Sample LO:      Production LO: India

Style	Material Style	Style Description	Pattern	Base Size	Size Scale	Fit	SMU Type
FM7042	1577051	Slack Tide™ Camp Shirt	M15M1024	M	XS - XXL	Regular	N/A

			0.000

Parts	Part Description	Feature	SAM
Body Block	Shoulder Joining	Shoulder Joining(17cm)w/ DN Topstitch	0.796
	Sleeve Setting	Sleeve Setting w/ DN Topstitch Armhole(64cm)	1.738
	Sideseam	Feed stitch Sideseam w/ Short Sleeve	0.941
	Collar Setting	Normal Neck line Collar Setting(48cm)	1.054
	Cuff Setting	No Cuff Setting w/ Short Sleeve Double Needle Hem(40cm)	0.869
	Bottom	Single Stitch Forked Bottom w/ side vent	0.962
	Side Vent	Bottom Sidevents-Single Needle	2.140
	Care Label fixed	2 Labels	0.492
	Bartacks	Select	*
	Cut & Finishing SAM's	Woven Top S/S (no stripe Matching)	4.850
			13.842

This is confidential and proprietary information of Columbia Sportswear Company. You agree that you will not disclose this information to any third party or use it for any purpose other than on behalf of Columbia. You have no right to use Columbia's name or any of its trademarks, trade names, copyrights, patents, designs or other intellectual property except as set forth in writing by Columbia.

# Hangtag Package Report

Apparel Style: FM7042

Season: F24

Brand: Columbia

Merchandise Category: Sportswear

Merchandiser: fboulot

Line Slot: Slack Tide Solid Camp Shirt

Sort Order: 0.5 Part: 126967 - Regular Fit Swing Tag  
 Instruction: Swing tag to be placed on top of cover tag on same plastic loop.

SKU Reference #	Size	Name	Revised Date
OP1490984	126967	OP1490984_126967_MT_Regular Fit	10-18-23



SKU Code	Brand	Revised Date
Process Blue / Peaches Blue	UPC 5	
25" x 33" / 105cm x 84cm	Apparel Coding Div CA, 3000 pouch	



Sort Order: 1.0 Part: 111006 - PFG Omni-Shade UPF 50, Omni-Wick Hangtag  
 Instruction: (FOR TOPS W/CF BUTTONS) HANG TAG TO BE PLACED ON 5" CIRCULAR SWIFT TACK AT 2ND BUTTON HOLE FROM TOP

SKU Reference #	Size	Name	Revised Date
OP712223	111006	OP712223_111006_CT_PFG_OmniShadeUPF50_OmniWick	09-26-22



SKU Code	Brand	Revised Date
Process Blue / AC	UPC 5	
5" x 10" / 12.7cm x 25.4cm	Apparel Coding Div CA, 3000, 3000 Pouch	



Sort Order: 9.0 Part: 121612 - MSRP/UPC with RFID Specs for MSRP.  
 Please refer to VAS specs for any exceptions. MSRP required on all product shipping to the US.  
 Instruction:

SKU Reference #	Size	Name	Revised Date
n/a	121612	PDM_121612_RFID UPC Sticker_Dec_3_2022	12-03-22



SKU Code	Brand	Revised Date
Black	White Dual Matrix Sticker Stock	
1.5885" x 1.6281" / 40mm x 41mm	Dual Color in Perforated Sheet up from button hole	

